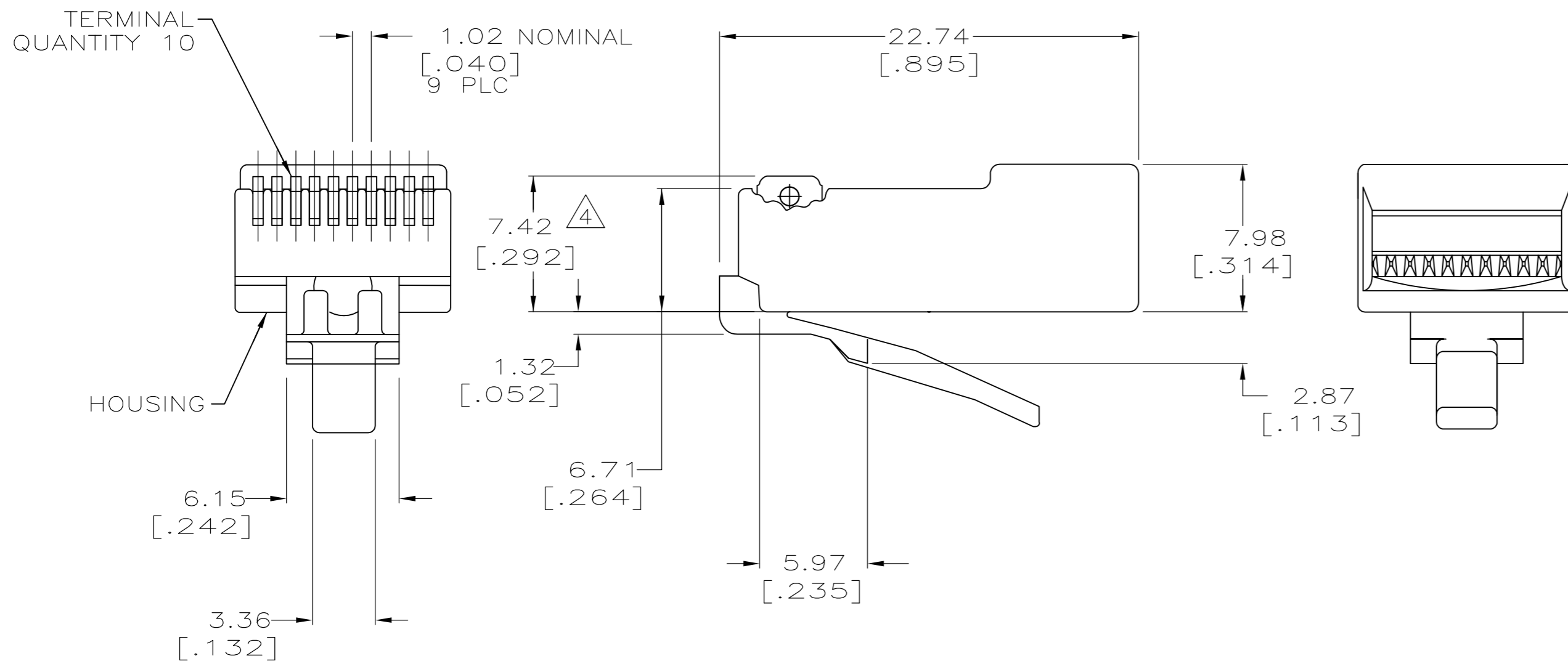
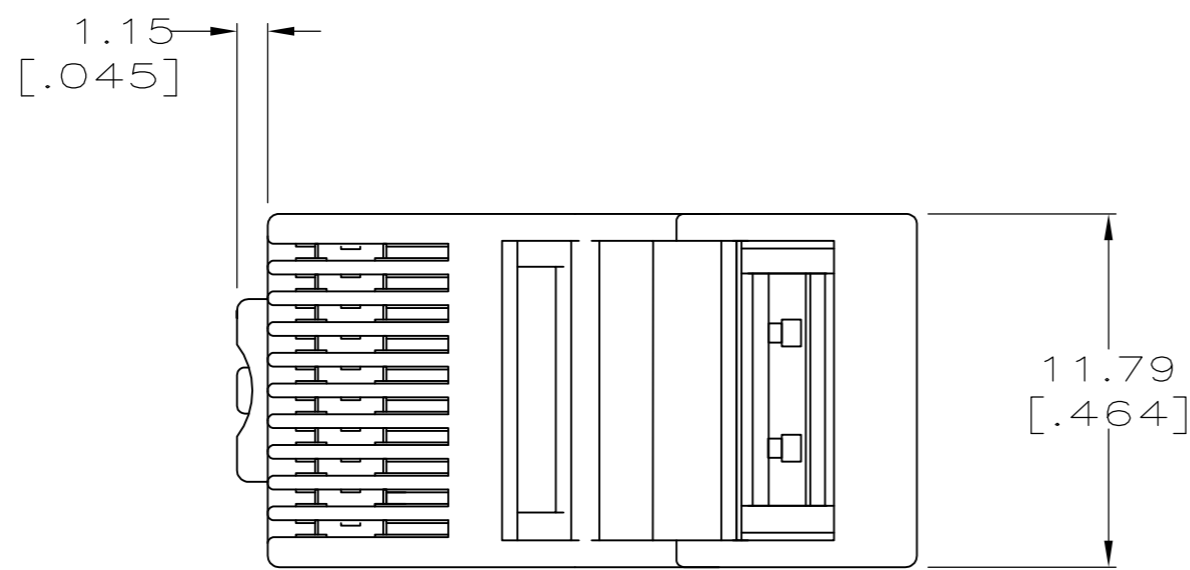


THIS DRAWING IS UNPUBLISHED. RELEASED FOR PUBLICATION
 © COPYRIGHT - By - ALL RIGHTS RESERVED.

| LOC | DIST | REVISIONS | | | | | |
|-----|------|-----------|-----|-----------------------|-----------|-----|------|
| HM | 00 | P | LTR | DESCRIPTION | DATE | DWN | APVD |
| | | B | | REV PER ECO-12-012918 | 03JUL2012 | JM | JG |



- 1. DIMENSIONS ARE MAXIMUM UNLESS OTHERWISE SPECIFIED.
- 2. MATERIAL: HOUSING - POLYCARBONATE, BLUE
 TERMINAL - PHOSPHOR BRONZE, PLATED WITH 1.27 μm [.000050] MINIMUM THICK GOLD IN LOCALIZED GOLD PLATE AREA, OVER 2.54 μm [.000100] MINIMUM THICK NICKEL UNDERPLATE.
- 3. PLUG WILL ACCEPT 26 OR 28 AWG STRANDED WIRE, 0.74-0.85 [.029-.034] DIAMETER, WITH A 4.30 [.170] DIAMETER JACKET.
- 4. TERMINATED DIMENSION 6.02 ± .127 [.237 ± .005] PER FCC REQUIREMENTS.
- 5. 500 ASSEMBLIES PER PACKAGE.

406938

| | |
|----------|-------------|
| 5 | 5-406938-2 |
| PACKAGED | PART NUMBER |

| | | | | | | | | | | | | | | | | | | | | | | | |
|---|-----|---------------------------|---|---------------------|-----|--|-------|-----|---|-------|-----|--|-------|-----|--|-------|-----|--|--------|-----|--|--------|-----|
| THIS DRAWING IS A CONTROLLED DOCUMENT. | | DWN DL DRUMMOND 19 APR 99 | TE TE Connectivity | | | | | | | | | | | | | | | | | | | | |
| DIMENSIONS: mm [INCHES] | | CHK DL DRUMMOND 19 APR 99 | | | | | | | | | | | | | | | | | | | | | |
| TOLERANCES UNLESS OTHERWISE SPECIFIED: | | APVD DL KEMPKA 19 APR 99 | | | | | | | | | | | | | | | | | | | | | |
| <table border="0"> <tr><td>0 PLC</td><td>± -</td><td></td></tr> <tr><td>1 PLC</td><td>± -</td><td>1</td></tr> <tr><td>2 PLC</td><td>± -</td><td></td></tr> <tr><td>3 PLC</td><td>± -</td><td></td></tr> <tr><td>4 PLC</td><td>± -</td><td></td></tr> <tr><td>ANGLES</td><td>± -</td><td></td></tr> <tr><td>FINISH</td><td>± -</td><td></td></tr> </table> | | 0 PLC | | | ± - | | 1 PLC | ± - | 1 | 2 PLC | ± - | | 3 PLC | ± - | | 4 PLC | ± - | | ANGLES | ± - | | FINISH | ± - |
| 0 PLC | ± - | | | | | | | | | | | | | | | | | | | | | | |
| 1 PLC | ± - | 1 | | | | | | | | | | | | | | | | | | | | | |
| 2 PLC | ± - | | | | | | | | | | | | | | | | | | | | | | |
| 3 PLC | ± - | | | | | | | | | | | | | | | | | | | | | | |
| 4 PLC | ± - | | | | | | | | | | | | | | | | | | | | | | |
| ANGLES | ± - | | | | | | | | | | | | | | | | | | | | | | |
| FINISH | ± - | | | | | | | | | | | | | | | | | | | | | | |
| MATERIAL | | PRODUCT SPEC 108-1163 | MODULAR PLUG ASSEMBLY, 10 POSITION, SMALL ROUND CABLE, SMALL CONDUCTOR, STRANDED WIRE | | | | | | | | | | | | | | | | | | | | |
| | | APPLICATION SPEC 114-6016 | SIZE A2 | RESTRICTED TO - | | | | | | | | | | | | | | | | | | | |
| | | WEIGHT - | CAGE CODE 00779 | DRAWING NO C=406938 | | | | | | | | | | | | | | | | | | | |
| | | CUSTOMER DRAWING | SCALE 4:1 | SHEET 1 of 1 | | | | | | | | | | | | | | | | | | | |
| | | | REV B | | | | | | | | | | | | | | | | | | | | |