

ENG. NO.

EDP NO.

SIMILAR ITEM

PROJECT NO.

DO NOT SCALE DRAWING

F

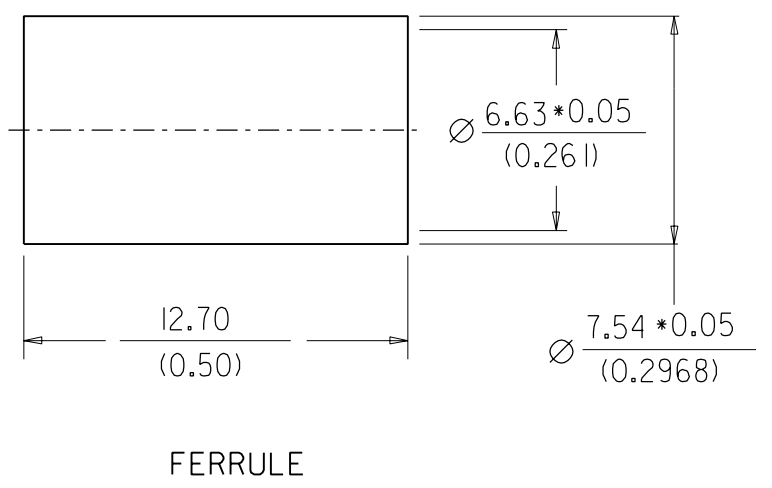
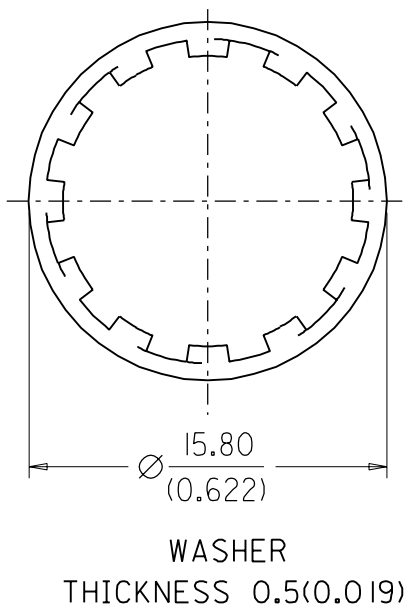
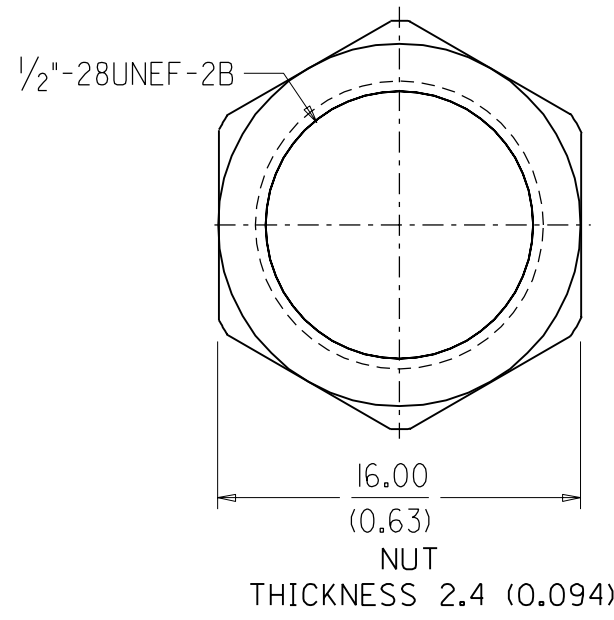
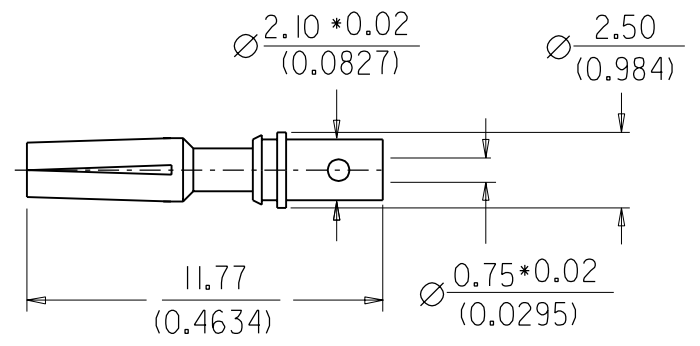
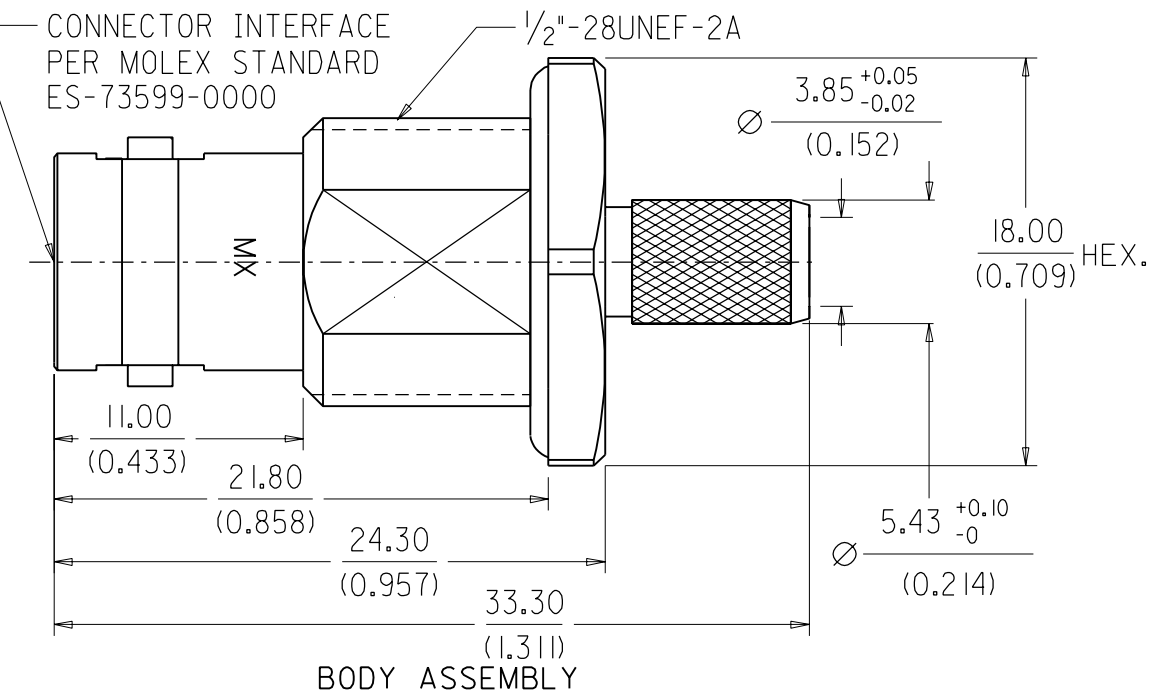
E

D

C

B

A



**CABLE ATTACHMENT:**  
 INNER CONTACT-----CRIMP (1.69 HEX.)  
 OR SOLDER  
 OUTER CONDUCTOR-----CRIMP (6.48 HEX.)  
 ASSEMBLY INSTRUCTION--AS-73597-0039  $\Delta$

**FINISH :**  
 CONNECTOR BODY-----NICKEL PLATING  
 CENTER CONTACT-----GOLD PLATING  
 FERRULE -----NICKEL PLATING  
 NUT-----NICKEL PLATING  
 WASHER-----NICKEL PLATING

**CONSTRUCTION:**  
 CONNECTOR BODY-----BRASS  
 DIELECTRIC-----TEFLON  
 CENTER CONTACT-----PHOSPHOR BRONZE  
 FERRULE -----BRASS  
 NUT-----BRASS  
 WASHER-----PHOSPHOR BRONZE

**MECHANICAL & ELECTRICAL CHARACTERISTICS:**  
 PER PRODUCT SPECIFICATION PS-73598-0001

**MATERIAL & FINISH CHARACTERISTICS:**  
 PER PRODUCT SPECIFICATION PS-73598-0001

**PACKAGING:**  
 INDIVIDUAL PLASTIC BAGS

						MATERIAL : SEE NOTE
						FINISH : SEE NOTE
						SCALE : 4:1 UNIT : mm/(inch)
						DRAWN BY : <i>Moxi</i> 1993/03/22
						CHK'D BY :
						APPR'D BY : <i>[Signature]</i> 1993/03/22
						STANDARD ITEM <input checked="" type="checkbox"/> YES <input type="checkbox"/> NO

**MOLEX TAIWAN LTD. (R.F. DIVISION)**

GENERAL TOLERANCES  
 ANGLE : ± 3° DIM. ± 0.25

DRW. NO.: **SDA-73100-0002** REV **B**

TITLE : **75 OHMS BNC JACK STRAIGHT BULKHEAD RG59B/U,62A/U CRIMP/CRIMP**

B

AS-73597-0031	AS-73597-0039	0232	KELLY	93/10/14
LTR	REVISION RECORD	DR	CHK	DATE