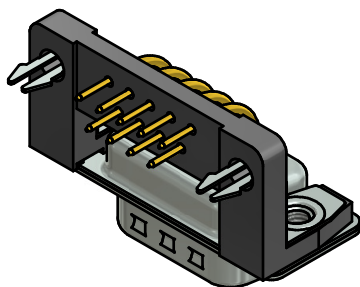
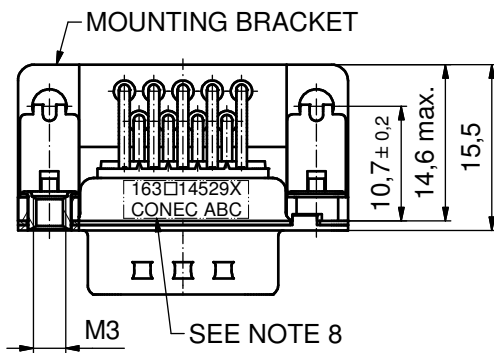
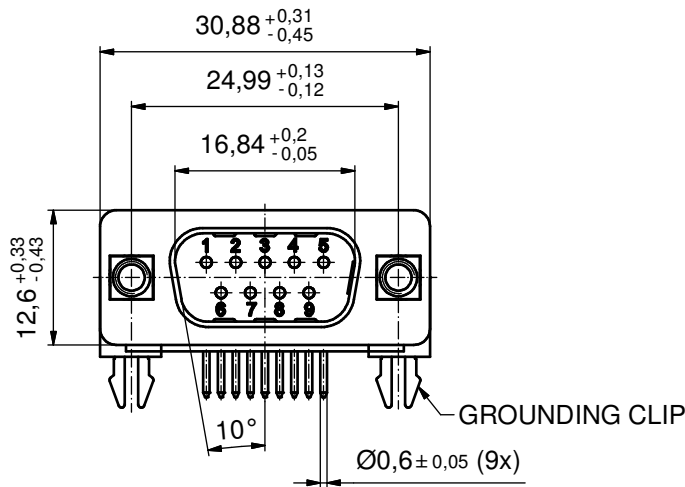
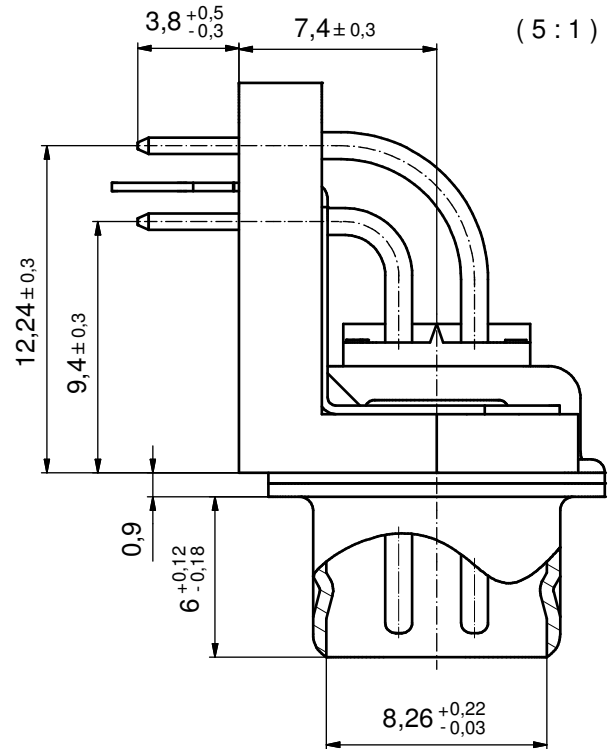


P.C.B. HOLE DRILLINGS  
(P.C.B. TOP SIDE)



NOTES:

1. METALSHELLS: STEEL; min. 315µm TIN over 40-80µm NICKEL
2. INSULATORS: PBT GF UL 94 V-0, BLACK
3. CONTACTS: COPPER ALLOY  
PLATING (SEE PART NO.):  
 PLEASE ADD A for GOLD FLASH over NICKEL (PREFERRED TYPE)  
 PLEASE ADD B for 20µm HARD GOLD over min. 50µm NICKEL  
 PLEASE ADD C for 30µm HARD GOLD over min. 50µm NICKEL  
 PLEASE ADD J for 50µm HARD GOLD over min. 50µm NICKEL
4. MOUNTING BRACKET: PBT GF UL 94 V-0; BLACK
5. THREADED INSERTS: COPPER ALLOY; min. 200µm TIN over 80µm NICKEL
6. GROUNDING CLIPS: COPPER ALLOY; min. 200µm TIN over 80µm NICKEL  
PCB-HOLE: Ø3,1±0,1; PCB THICKNESS 1,6mm
7. MAXIMUM TORQUE VALUE FOR THREAD: 6 in.LB
8. CONNECTOR IS PART MARKED: 163□14529X CONEC ABC (see note 3)

Directive 2002/95/EC RoHS compliant

THIS DRAWING MAY NOT BE COPIED OR REPRODUCED IN ANY WAY, AND MAY NOT BE PASSED ON TO A THIRD PARTY WITHOUT WRITTEN PERMISSION. OWNERSHIP AND COPYRIGHT OF CONEC GmbH DO NOT ALTER CAD DRAWING BY HAND	tolerance		dim. in mm		scale:	2:1 (5:1)		
					material:	SEE NOTES		
			date	name	title:			
			drawn	22.11.13	Henneboel	<b>D-SUB MALE 90°</b> 9pos. SOLDER PIN ANGLED 0.370inch with threaded insert, mounting bracket, grounding clip		
			appd.	27.11.13	Lehmenkühler			
			norm					
		d-old			dwg no:			
2 x b	Ä5007	22.11.2013	K.H.			DIN-A3		
a	Original					sh: 1		
rev.	description	date	name	part no: (b)163□14529X (see note 3)				