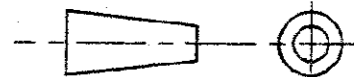


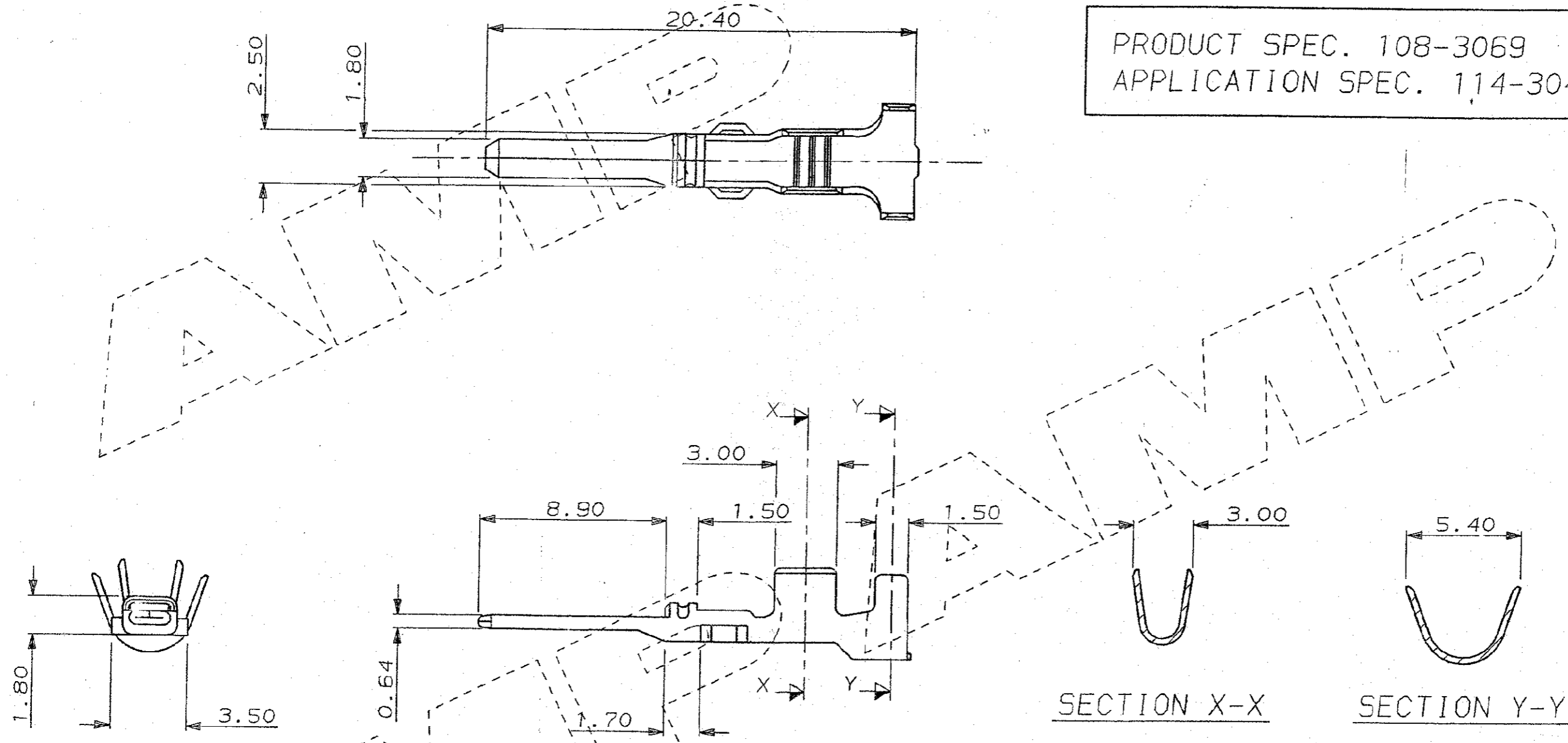
C.A.D. FILE CODE
S. C345807.A

DO NOT SCALE

DIMENSIONS IN MM.



PRODUCT SPEC. 108-3069
APPLICATION SPEC. 114-3040



SECTION X-X

SECTION Y-Y

WIRE RANGE: 0.75 TO 2.00 MM²
FOR SEALED APPLICATIONS, SINGLE WIRES ONLY
MUST BE USED.
FOR UNSEALED APPLICATIONS, SINGLE WIRES
ARE SUITABLE FOR THE RANGE 0.75 TO 2.00 MM²
OR DOUBLE WIRES 2 X 0.50 MM² ONLY.

INSULATION RANGE: SINGLE WIRES 1.65 TO 2.70 MM DIA.
OR DOUBLE WIRES 2 X 1.6 MM DIA. ONLY.
THIN WALLED CABLE TO BE USED.

PRE-TINNED		BRASS		345807-1	
FINISH		MATERIAL		PART NUMBER	
CUSTOMER DWG FOR REFERENCE ONLY			© COPYRIGHT 1990 BY AMP OF GREAT BRITAIN LTD. ALL INTERNATIONAL RIGHTS RESERVED. ALL PRODUCTS MAY BE COVERED BY BRITISH AND FOREIGN PATENTS AND/OR PATENTS PENDING.		
-			TOLERANCES UNLESS OTHERWISE STATED DEC ± 0.5 ANGLES ± 1°		DR. R. S. 14.9.90
-			-		CH. R. J. S. APP. J. P.
-			-		AMP of Great Britain Ltd. TERMINAL HOUSE STANMORE MIDDX.
-			NAME .070 TAB ECONOSEAL 3		
A	E600-0044-01		14.02.01		
2	REL. TO CUST.	CS863	8.8.91		
1	PRELIM. ISSUE	-	14.9.90		
REV	APPROVED	ECN	DATE	SCALE	SHEET
				5/1 E A3	1/1
				DWG. No. C345807	REV A