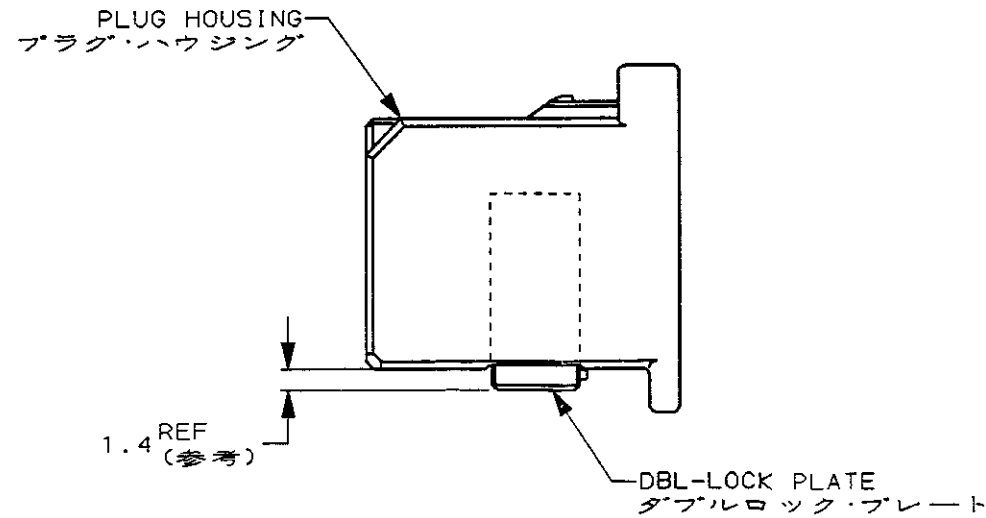
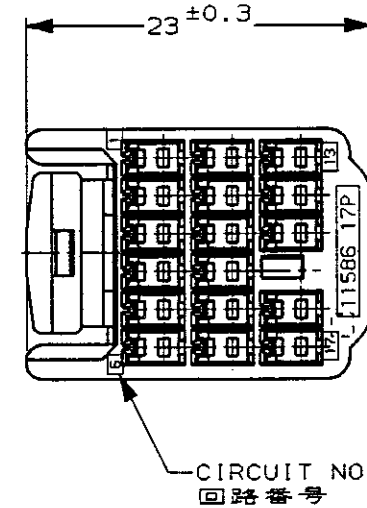
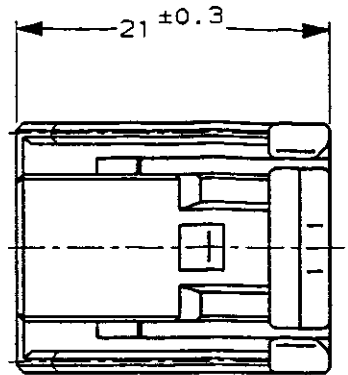
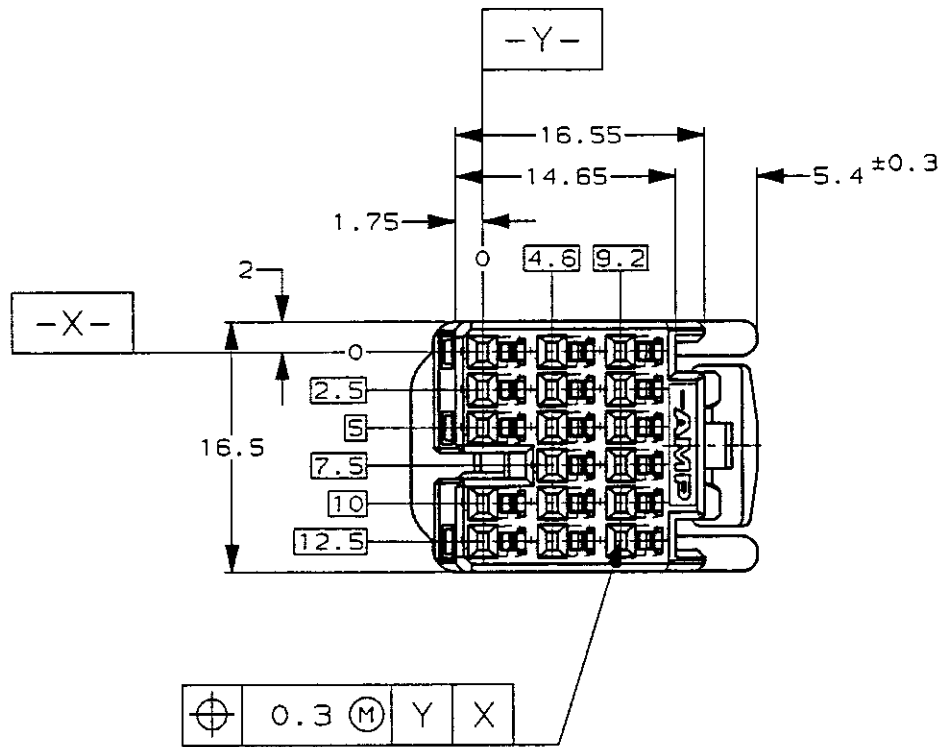


LOC	DIST	REVISIONS						
		P	LTR	DESCRIPTION	ECN	DATE	DWN	APVD
J	-	0		DRAWN	FJ00-4999-96	7/5 '96	744	7/15



NOTES

- PART NUMBER OF CAP HOUSINGS TO BE MATED; 353015, 353016
- DETAILS OF CAVITIES; SEE TABLE-1

注記

- 嵌合相手ハウジング型番; 353015, 353016
- キャビティ構成は、TABLE-1 参照

TABLE-1

CAVITY キャビティ	POS. 極数	CIRCUIT NO 回路番号	APPLIED CONTACT P/N 適用端子型番	APPLICABLE WIRE RANGE 適用電線
	17	1-17	.040 III UNSEALED CONTACT RECEPTACLE (S) 316836, 316837	AVSS/CAVS 0.3-0.5mm ² CAVUS 0.3-0.5mm ²

THIS DRAWING IS A CONTROLLED DOCUMENT FOR AMP INCORPORATED. IT IS SUBJECT TO CHANGE AND THE CONTROLLING ENGINEERING ORGANIZATION SHOULD BE CONTACTED FOR THE LATEST REVISION.

DIMENSIONS, 単位・径 mm	TOLERANCES UNLESS OTHERWISE SPECIFIED 一般公差 10% : ±0.2 30% : ±0.25 100% : ±0.3 ANGLE : ±3°
MATERIAL 材料 PBT	COLOR 色 SEE TABLE 表参照

APVD: 7/15 '96
CHK: J. Kohno 7/15 '96
DWN: 7/15 '96

PRODUCT SPEC
製品規格
108-5529

APPLICATION SPEC
取付適用規格
114-5217

WEIGHT
3.69g

CUSTOMER DRAWING

NATURAL (自然色)	353027-1
COLOR (色)	PART NUMBER (型番)
AMP 日本エー・エム・ピー株式会社 Kawasaki, Japan	
.040 SERIES HIGH DENSITY III CONNECTOR 17P PLUG HOUSING ASSY	
SIZE A3	CAGE CODE 00779
DRAWING NO 番号 C-353027	
SCALE 尺度 2-1	SHEET 1 OF 1 REV 0