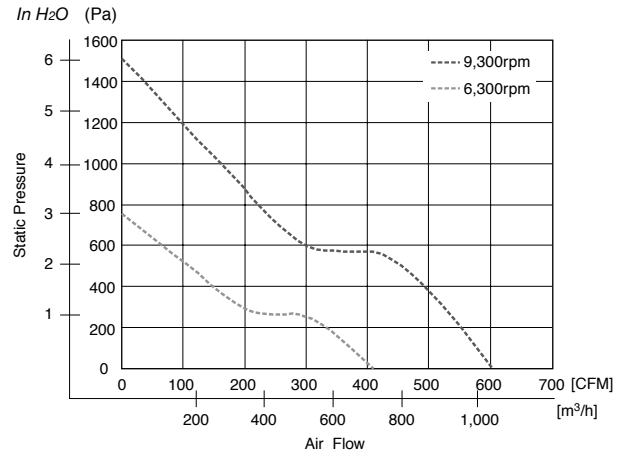




Characteristic Curves



General Specifications

Motor Protection:

Locked Rotor, Reverse Polarity

Insulation Resistance:

10M Ω min measured with 500V DC between all leads shorted together and case

Dielectric Withstand Voltage: AC 700V 1 minute

Allowable Ambient Temperature Range:

-30°C ~ +70°C (Operating)
-40°C ~ +80°C (Storage)

Expected Life

Failure Rate: 10%

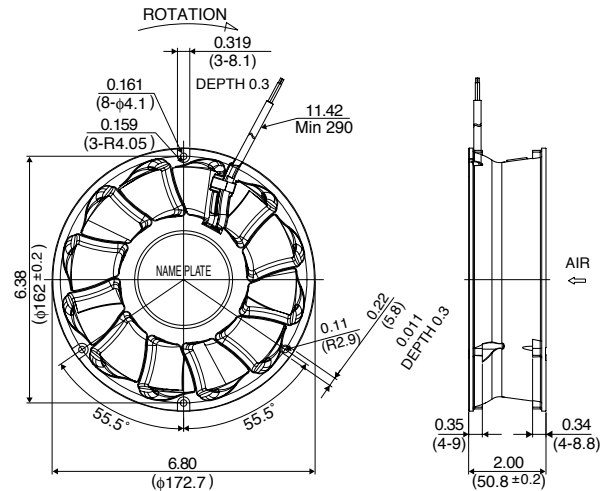
40°C 70,000 Hours (L10)

Material

Casing : Aluminum
Impeller : Plastic
Bearing : Ball Bearing
Lead Wire : UL3266, AWG22, +Red, -Black,
Speed Control = Yellow,
Speed Signal = White

Outline

Units: $\frac{\text{inch}}{\text{mm}}$



Specifications

MODEL	Rated Voltage	Operating Voltage	Current	Input Power	Speed	Max. Air Flow		Max. Static Pressure		Noise	Mass
	(V)	(V)	(A) ^{*1}	(W) ^{*1}	(min ⁻¹) ^{*1}	CFM ^{*1}	(m³/min) ^{*1}	in H ₂ O	(Pa) ^{*1}	(dB) ^{*1}	(g)
R172A0-051-D0790	48	30 ~ 72	4.40	211.2	9300	604	17.11	6.05	1510	82	1050
R172A5-051-D0760	48	30 ~ 72	1.60	76.8	6300	409	11.58	3.02	755	74	1050