

Shield connection terminal block - SK 14 VPE 300 - 3027941

Please be informed that the data shown in this PDF Document is generated from our Online Catalog. Please find the complete data in the user's documentation. Our General Terms of Use for Downloads are valid (<http://phoenixcontact.com/download>)



Shield connection clamp, for shield on busbars, contact resistance < 1 mOhm

Product Features

- Easy handling
- Spring-loaded, large-surface pressure plate
- Suitable for direct and busbar mounting
- Knurled screw



Key commercial data

| | |
|--------------------------------------|-----------|
| Packing unit | 1 pc |
| Minimum order quantity | 300 pc |
| Weight per Piece (excluding packing) | 20.36 GRM |
| Custom tariff number | 85369010 |
| Country of origin | Germany |

Technical data

General

| | |
|-----------------------|--------|
| Number of levels | 1 |
| Number of connections | 1 |
| Color | silver |

Dimensions

| | |
|--------|----------|
| Length | 19.5 mm |
| Width | 17 mm |
| Height | 59.30 mm |

Connection data

| | |
|--------------|----|
| Screw thread | M4 |
|--------------|----|

Shield connection terminal block - SK 14 VPE 300 - 3027941

Technical data

Connection data

| | |
|-----------------------|-------------|
| Tightening torque max | 0.8 Nm |
| Connection method | Screwing on |

Classifications

eCl@ss

| | |
|------------|----------|
| eCl@ss 4.0 | 27141131 |
| eCl@ss 4.1 | 27141131 |
| eCl@ss 5.0 | 27141131 |
| eCl@ss 5.1 | 27141131 |
| eCl@ss 6.0 | 27141150 |
| eCl@ss 7.0 | 27141150 |
| eCl@ss 8.0 | 27141150 |

ETIM

| | |
|----------|----------|
| ETIM 2.0 | EC000897 |
| ETIM 3.0 | EC000897 |
| ETIM 4.0 | EC000897 |
| ETIM 5.0 | EC000897 |

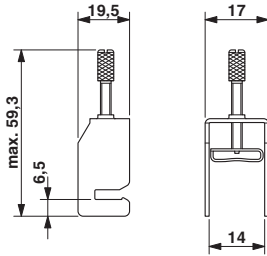
UNSPSC

| | |
|---------------|----------|
| UNSPSC 6.01 | 30211811 |
| UNSPSC 7.0901 | 39121410 |
| UNSPSC 11 | 39121410 |
| UNSPSC 12.01 | 39121410 |
| UNSPSC 13.2 | 39121410 |

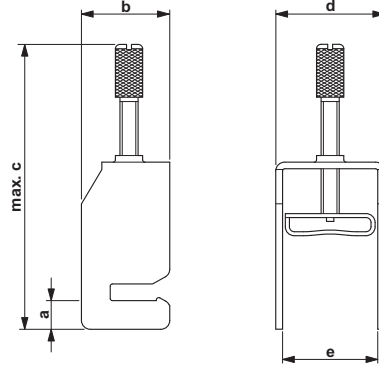
Drawings

Shield connection terminal block - SK 14 VPE 300 - 3027941

Dimensioned drawing



Dimensioned drawing



Diagram

