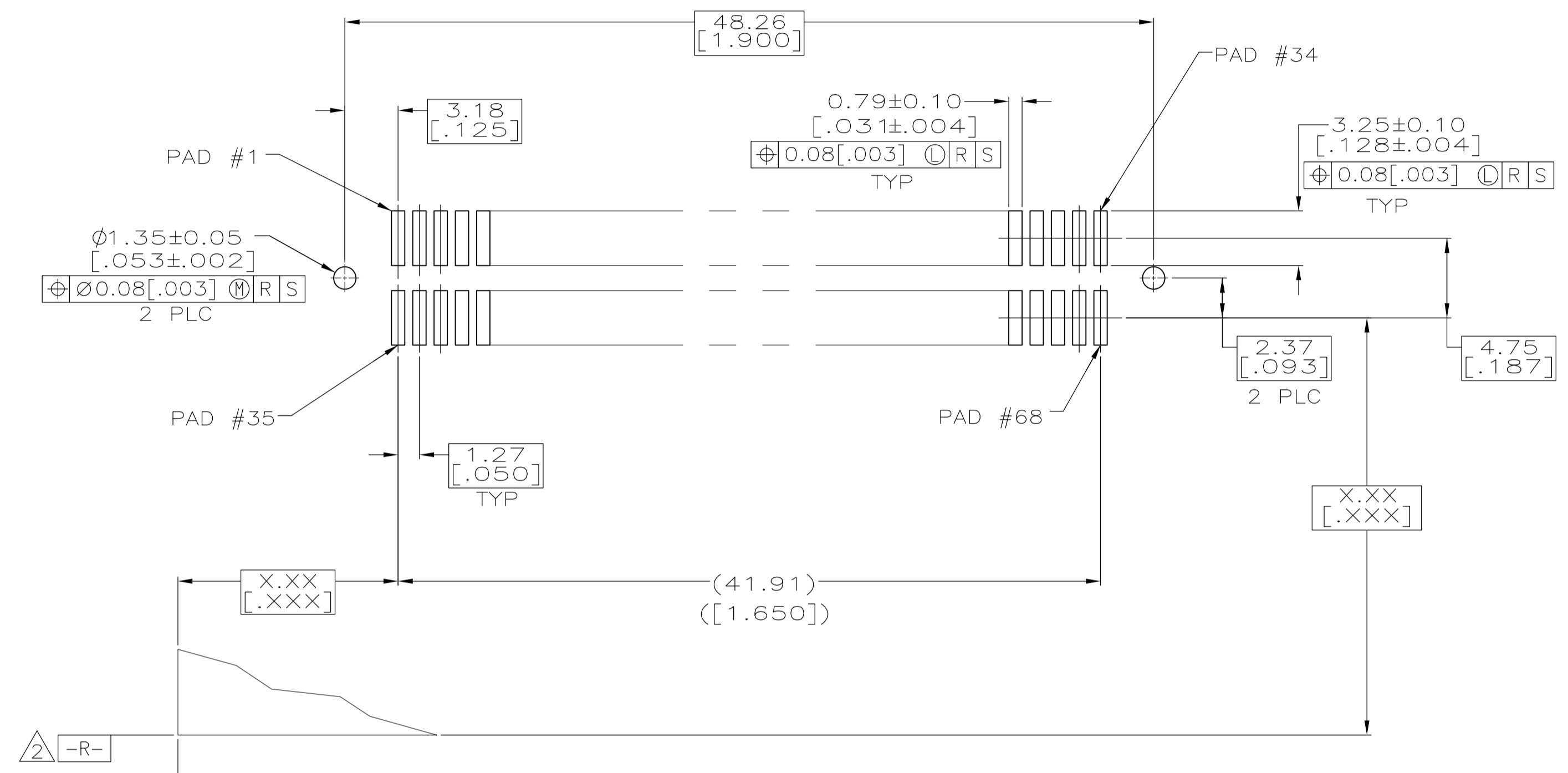
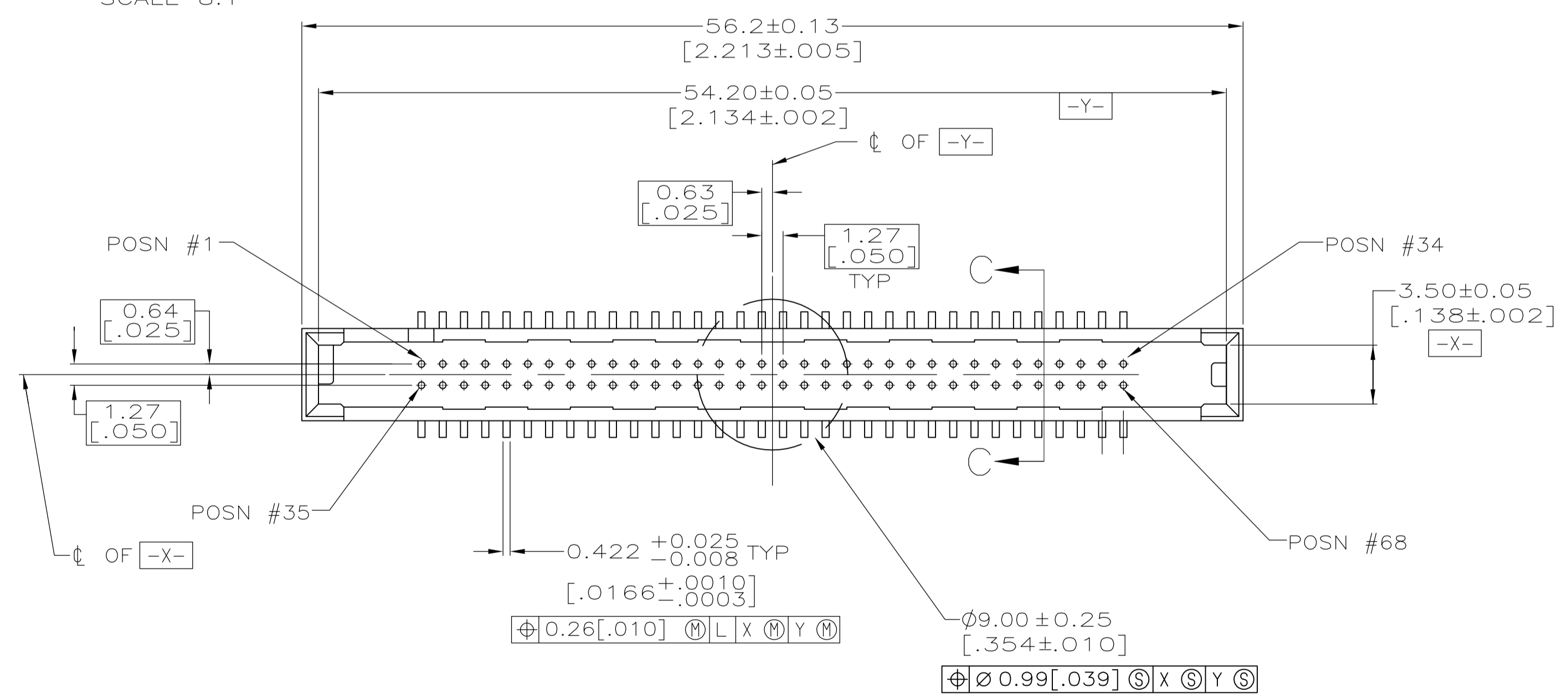
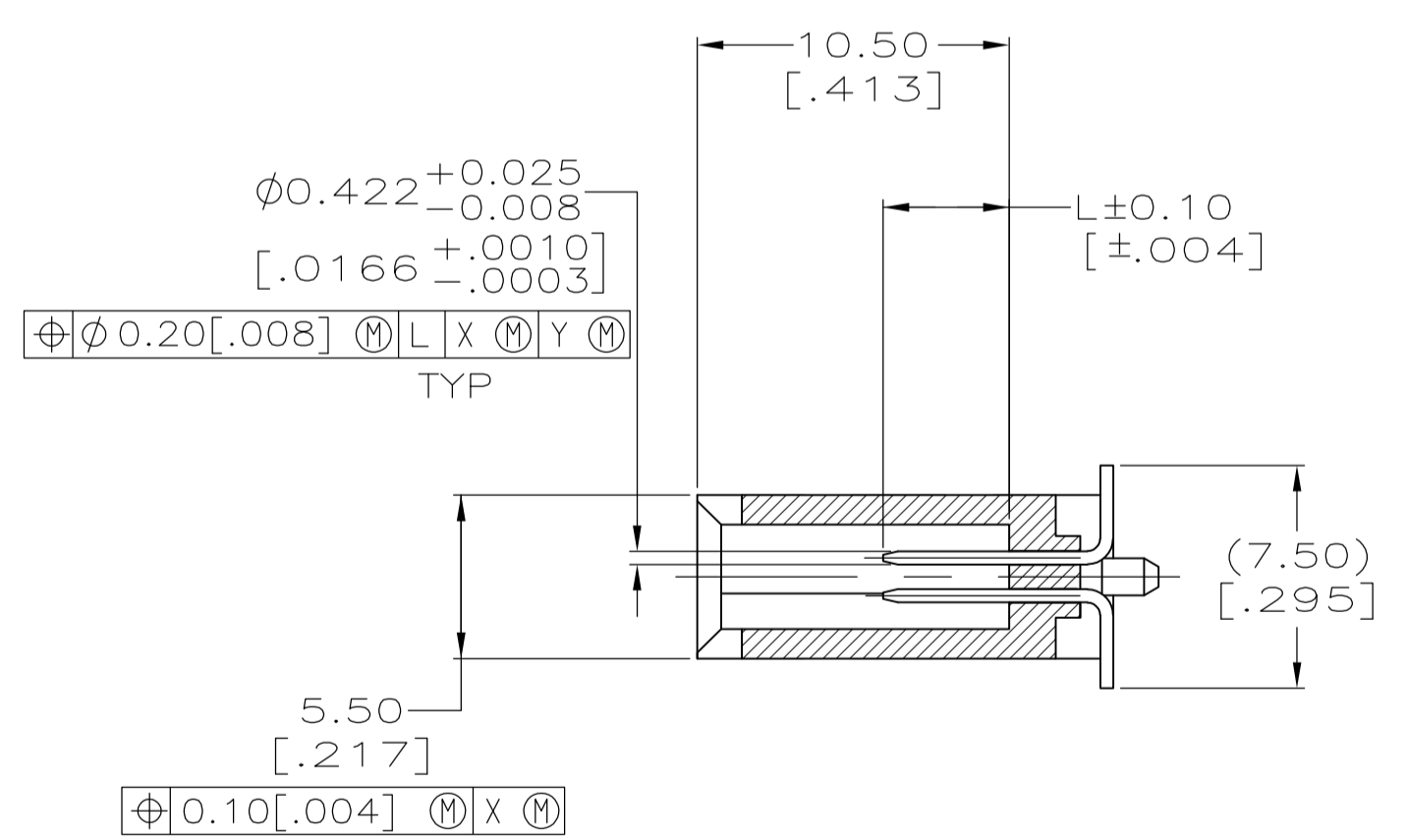


SCALE 8:1



RECOMMENDED BOARD LAYOUT



SECTION C-C

- △ CONTACTS: 0.00076[.000030] MINIMUM GOLD IN CONTACT AREA, 0.00381[.000150] MIN TIN ON SOLDER TAILS, ALL OVER 0.00127[.000050] MINIMUM NICKEL
- △ DATUMS AND BASIC DIMENSIONS ESTABLISHED BY CUSTOMER
- △ PRODUCT PACKAGED IN 72mm WIDE TAPE AND REEL.
- △ KAPTON VACUUM PICK-UP BUTTON (SHOWN IN PHANTOM TO SHOW CONNECTOR DETAIL).
- △ PRODUCT PACKAGED IN TUBES.
- △ MATERIAL:
HOUSING: LCP, COLOR BLACK
CONTACTS: BRASS

| | | | | | |
|-------------------------------|-------------|---------------------|----------------|-----------|-------------|
| △5 | AS SHOWN | 1,17,34 35,51,68 | ALL OTHER PINS | 36,67 | 5145485-2 |
| △3 | AS SHOWN | 1,17,34 35,51,68 | ALL OTHER PINS | 36,67 | 5145485-1 |
| PACKAGING | DESCRIPTION | 5.0[.197] | 4.25[.167] | 3.5[.138] | PART NUMBER |
| " L " PIN LENGTH AND LOCATION | | | | | |

**COPYRIGHT 2005
TYCO ELECTRONICS CORP
ALL RIGHTS RESERVED**

THIS DRAWING IS A CONTROLLED DOCUMENT.

| | | | | | |
|----------------------------|--|---|------------------|--------------------------------|---------------------|
| DIMENSIONS: mm [INCHES] | TOLERANCES UNLESS OTHERWISE SPECIFIED: | DRAWN A. FERNANDEZ-DUCKS 03-23-05 | DATE 03-23-05 | REV D.L. GORENC 03-23-05 | NAME M. WALMSLEY |
| 0 PLC ± - | 1 PLC ± - | 2 PLC ± 0.13[.005] | 3 PLC ± - | 4 PLC ± - | ANGLES ± ° |
| MATERIAL | FINISH | APPROVED | APPLICATION SPEC | SIZE | CAGE CODE |
| △6 | △1 | WEIGHT | A1 00779 | DRAWING NO | 5145485 |
| CUSTOMER DRAWING | | SCALE | 4:1 | SHEET | 1 OF 1 |

STE TE Connectivity

PIN HEADER ASSEMBLY, VERTICAL, 68 POSITION, SURFACE MOUNT, AMP PC CARD