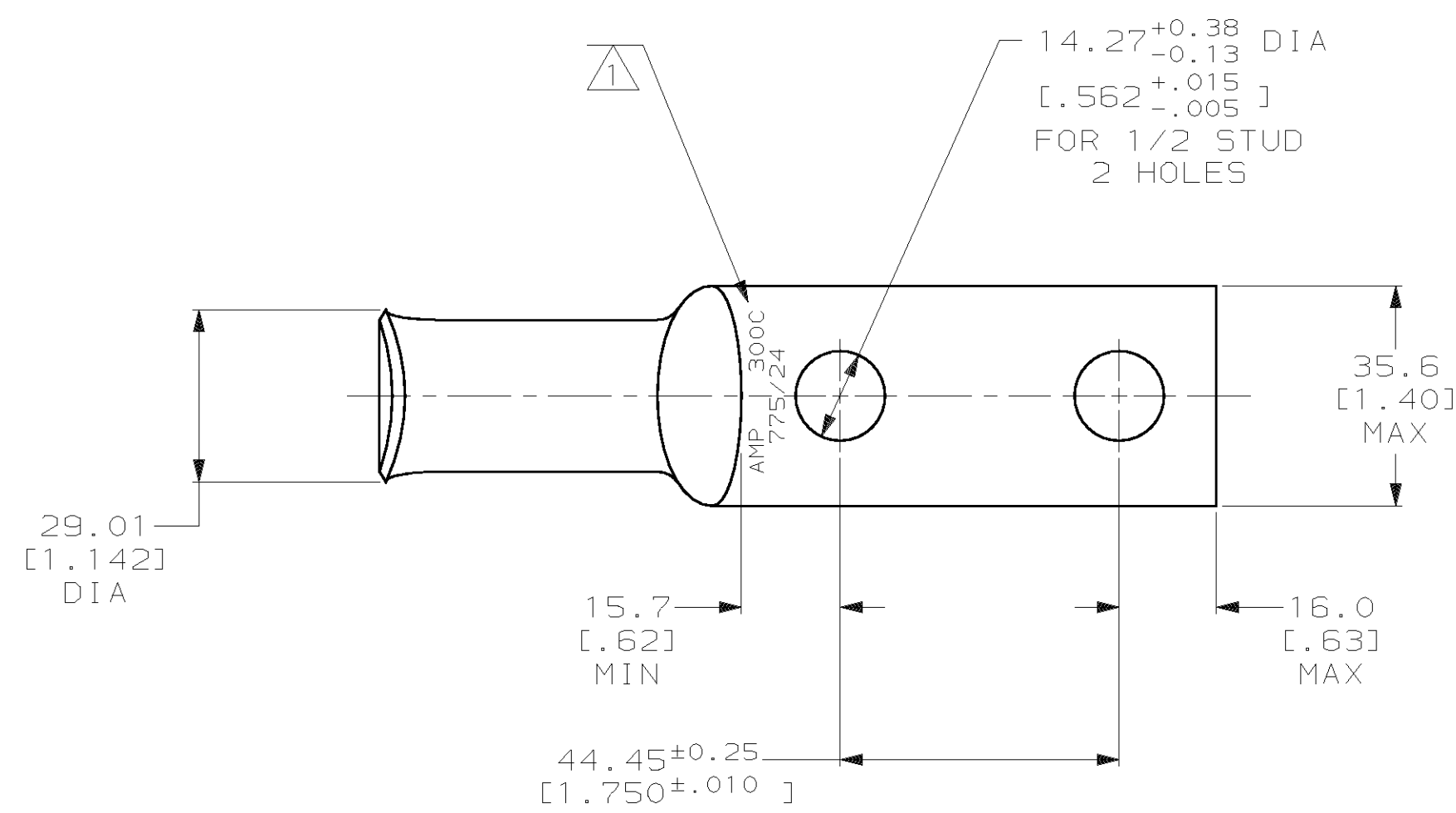


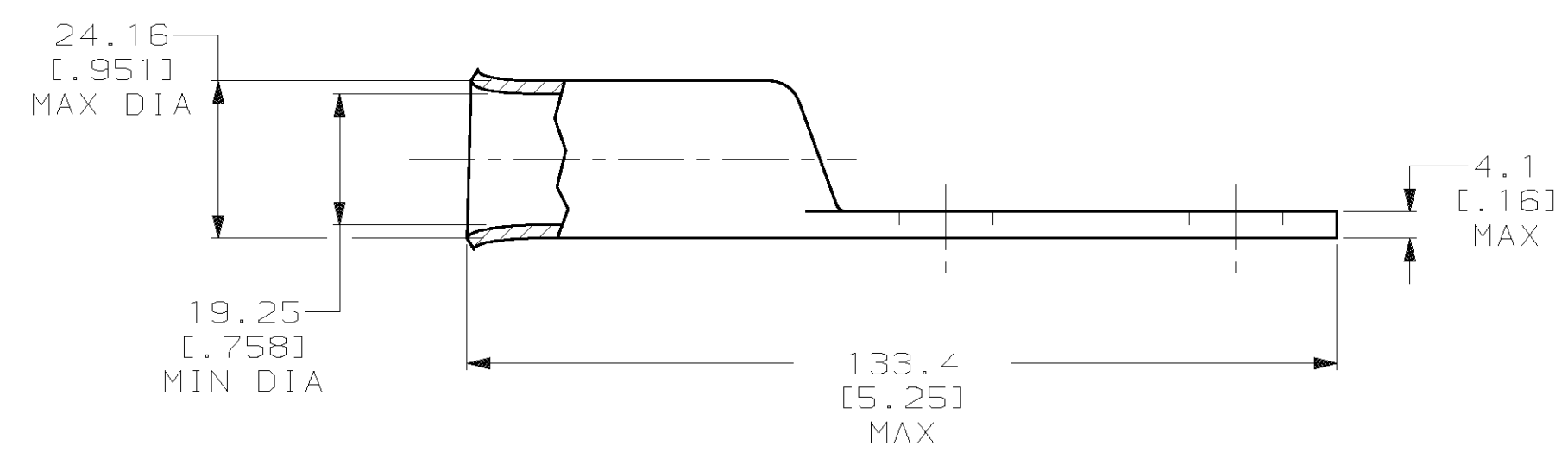
THIS DRAWING IS UNPUBLISHED. RELEASED FOR PUBLICATION ,19 .  
 © COPYRIGHT 19 BY AMP INCORPORATED. ALL INTERNATIONAL RIGHTS RESERVED.

LOC	DIST	P	F	ZONE	LTR	DESCRIPTION	DATE	APPD
G	86					E REV PER 063A-0561-01	030CT02	JR/MS

**METRIC**  
 DIMENSIONS LISTED IN mm [ INCHES ]



① STAMP AMP 300C 775/24 APPROX AS SHOWN



53684

53684-2  
 PART NO

**AMP INCORPORATED  
 CUSTOMER SERVICE SYSTEMS**

MAX RECOMMENDED OPERATING TEMPERATURE:  
 170°C MAX

DO NOT SCALE PRINT. UNLESS SPECIFIED DIMENSIONS IN mm [INCHES] TOLERANCES ON:  
 2 PLC DEC ± -  
 3 PLC DEC ± -  
 ANGLES ± -

DR 130CT94 DK SCHRUM  
 CHK 130CT94 AJ KAUFMAN

**AMP** AMP Incorporated  
 Harrisburg, PA 17105-3608

FOR ADDITIONAL PRODUCT INFORMATION OR COPIES OF DRAWINGS AND TECHNICAL DOCUMENTS

PRODUCT INFORMATION CENTER  
 1-800-522-6752

VOLTAGE RATING:  
 NOT APPLICABLE

MATERIAL  
 COPPER PER ASTM B-75 ANNEALED

APPD 130CT94 RE ROSER  
 APPD 130CT94 JL MECKLEY

NAME  
 TERMINAL, AMPOWER,  
 WIRE SIZE: 300 MCM

FOR APPLICATION TOOLING INFORMATION

TOOLING ASSISTANCE CENTER  
 1-800-722-1111

CIRCULAR MIL RANGE:  
 139.3-164.7mm<sup>2</sup> [275,000-325,000] CIR MILS  
 SOLID OR STRANDED

FINISH  
 TIN PLATE  
 0.00381 [0.00150] MIN THK PER MIL-T-10727

PRODUCT SPEC  
 108-30200

SIZE CAGE CODE DRAWING NO  
 C 00779 C=53684

FOR ORDER ENTRY

1-800-526-5142

THIS DRAWING IS A CONTROLLED DOCUMENT FOR AMP INCORPORATED. IT IS SUBJECT TO CHANGE AND THE CONTROLLING ENGINEERING ORGANIZATION SHOULD BE CONTACTED FOR THE LATEST REVISION.

WEIGHT .324 LBS

APPLICATION SPEC -

SCALE 1:1 SHEET 1 OF 1