

4

3

2

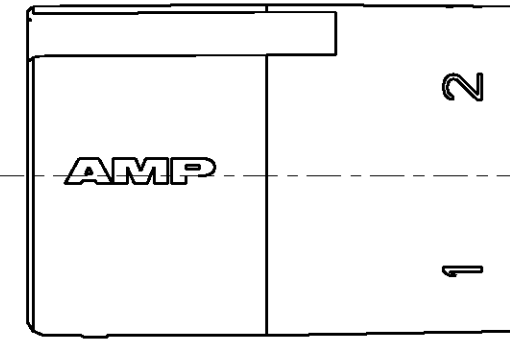
1

THIS DRAWING IS UNPUBLISHED. RELEASED FOR PUBLICATION .19
 © COPYRIGHT 19 BY AMP INCORPORATED. ALL RIGHTS RESERVED.

LOC	DIST	REVISIONS			
P	LTR	DESCRIPTION	DATE	DWN	APVD
CM	53	C	REVISD PER EC 0G3B-0015-99	19JULY99	KW KC

D

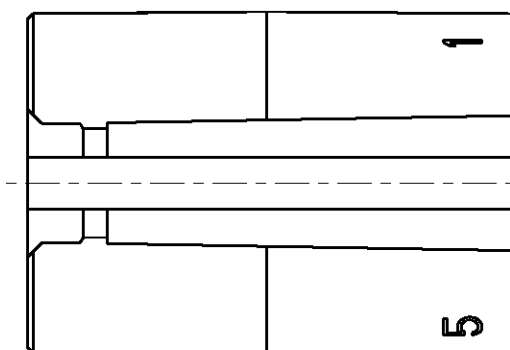
D



- 1 MATERIAL: UL 94V-2 RATED NYLON. COLOR- NATURAL.
- 2 MOLD CAVITY IDENTIFICATION LOCATED ON THIS SURFACE.
- 3 WIRE RANGE: 0.4 mm² (22 AWG). INSULATION RANGE: 0.065 (.0026) MAX DIAMETER.

C

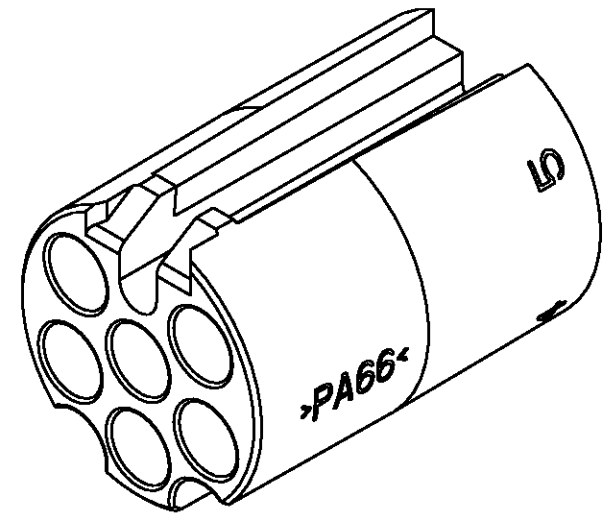
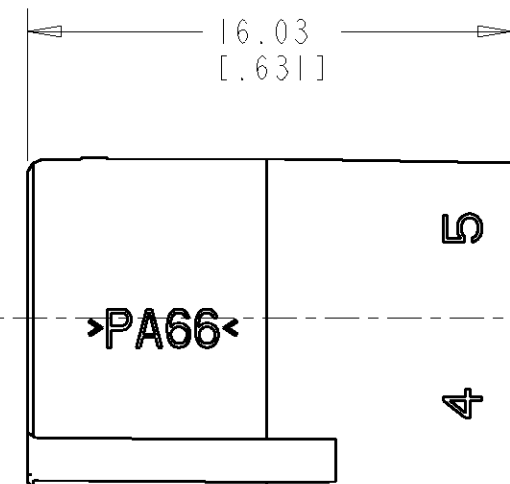
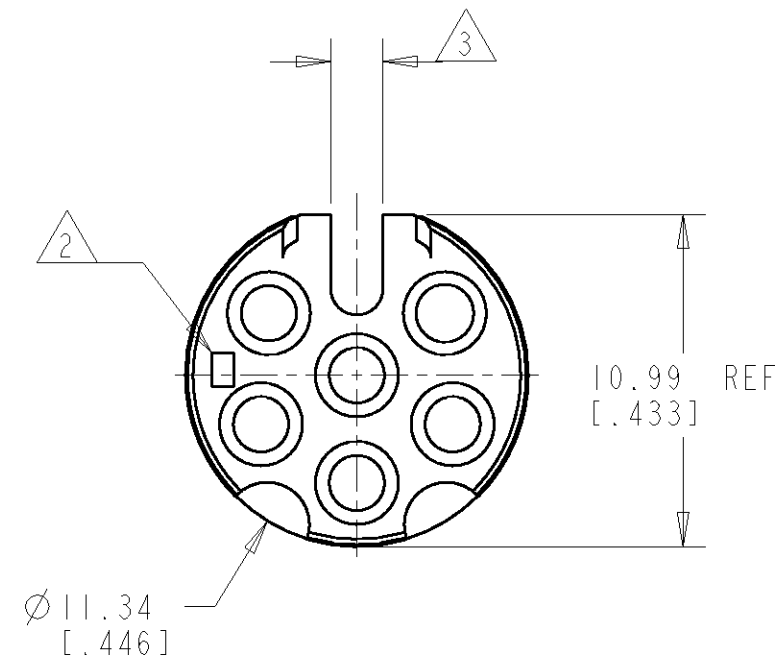
C



4. DIMENSIONS IN BRACKETS ARE IN INCHES.

B

B



794436-1
PART NUMBER

A

A

METRIC

<small>THIS DRAWING IS A CONTROLLED DOCUMENT FOR AMP INCORPORATED. IT IS SUBJECT TO CHANGE AND THE CONTROLLING ENGINEERING ORGANIZATION SHOULD BE CONTACTED FOR THE LATEST REVISION.</small>		DWN K. WHITAKER 29JUN1998 CHK R. SWING 29JUN1998 APVD C. CASH 29JUN1998	AMP AMP Incorporated Harrisburg, PA 17105-3608
DIMENSIONS: mm [INCHES]	TOLERANCES UNLESS OTHERWISE SPECIFIED: 0 PLC ± 1 PLC ±0.2 [.01] 2 PLC ±0.13 [.005] 3 PLC ± 4 PLC ± ANGLES ± FINISH -	PRODUCT SPEC - APPLICATION SPEC - WEIGHT -	NAME RECEPTACLE HOUSING, HINGE CONNECTOR, MINI UNIVERSAL MATE-N-LOK™
MATERIAL 		CUSTOMER DRAWING	SIZE A3 CAGE CODE 00779 DRAWING NO C-794436 SCALE 4:1 SHEET 1 OF 1 REV C