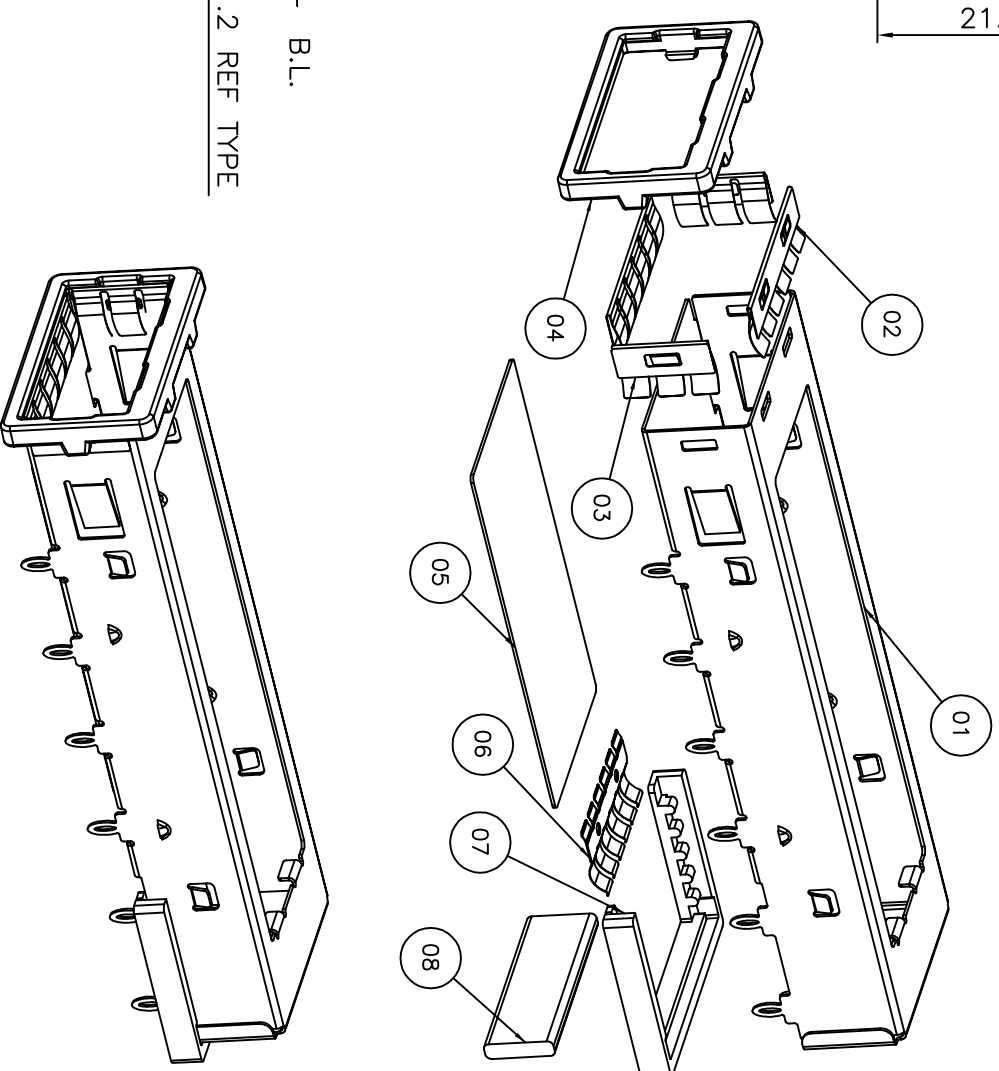
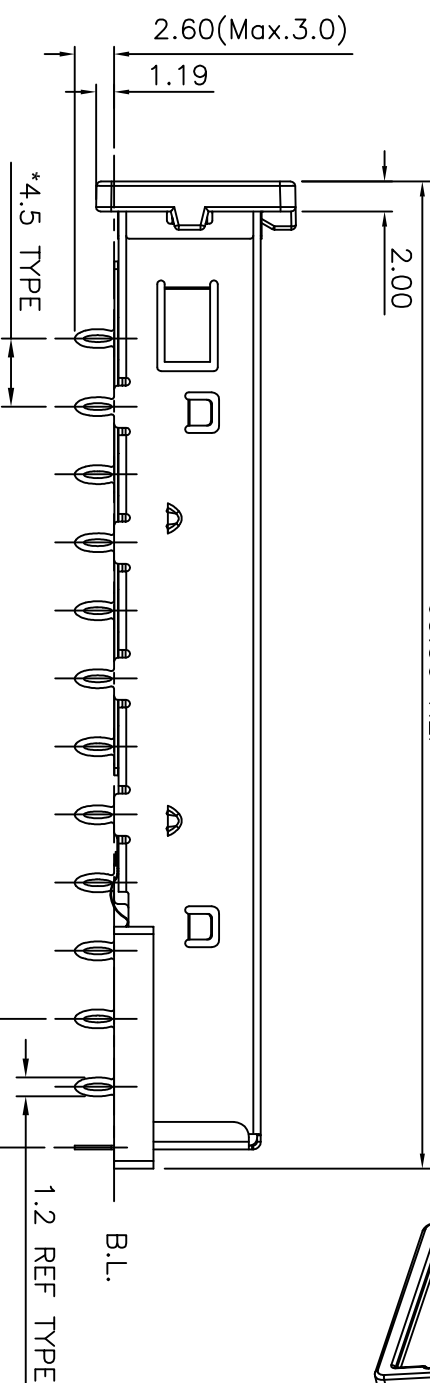
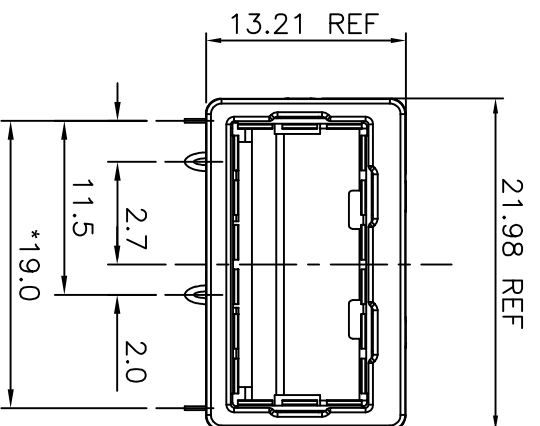
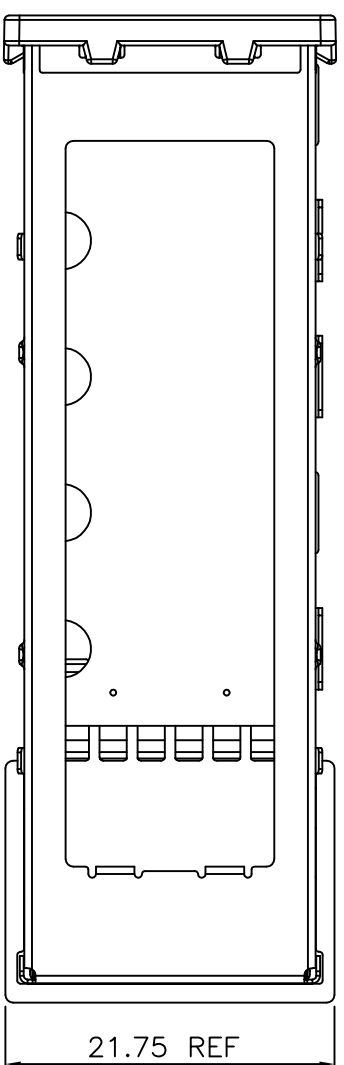


REVISION RECORD				
REV	ECO	DESCRIPTION	DRFT	CHKD



PART NUMBER: XFP CAGE001-L

No.	DESCRIPTION	Q'ty	MATERIAL	PLATING
01	CAGE HOUSING	1	COPPER ALLOY	
02	FRONT EMI GASKET/UD	2	COPPER ALLOY	Sn
03	FRONT EMI GASKET/RL	2	COPPER ALLOY	Sn
04	FRONT FLANGE	1	ZINC ALLOY	Ni
05	MYLAR	1		
06	INTERMEDIATE REAR EMI GASKET	1	COPPER ALLOY	Sn
07	LOWER REAR EMI GASKET	1	EMI RUBBER	
08	UPPER REAR EMI GASKET	1	EMI PORON	

DETACHED LISTS		TOLERANCES EXCEPT AS NOTED		DFTO tzou		DATE		TITLE	
MM	(INCH)	MM	(INCH)	CHKD	DATE	MFO	DATE	FULL RISE ELECTRONIC CO., LTD	
.0 ± 0.2		.0 ± 0.2			06/05/06			XFP CAGE	
.00 ± 0.15		.00 ± 0.15						DRAWING NO. XFP CAGE001-L	
.000 ± 0.075		.000 ± 0.075						/PART NO. SEE NOTE	
ANGLES ± 0.5		ANGLES ± 0.5		APPRVL	DATE			DO NOT SCALE DRAWING	
THIRD ANGLE PROJECTION		THIRD ANGLE PROJECTION						SHEET 1 OF 1	
				SCALE : 1 : 2				SIZE A3	
								REV 0	

8 7 6 5 4 3 2 1

A B C D E F G H