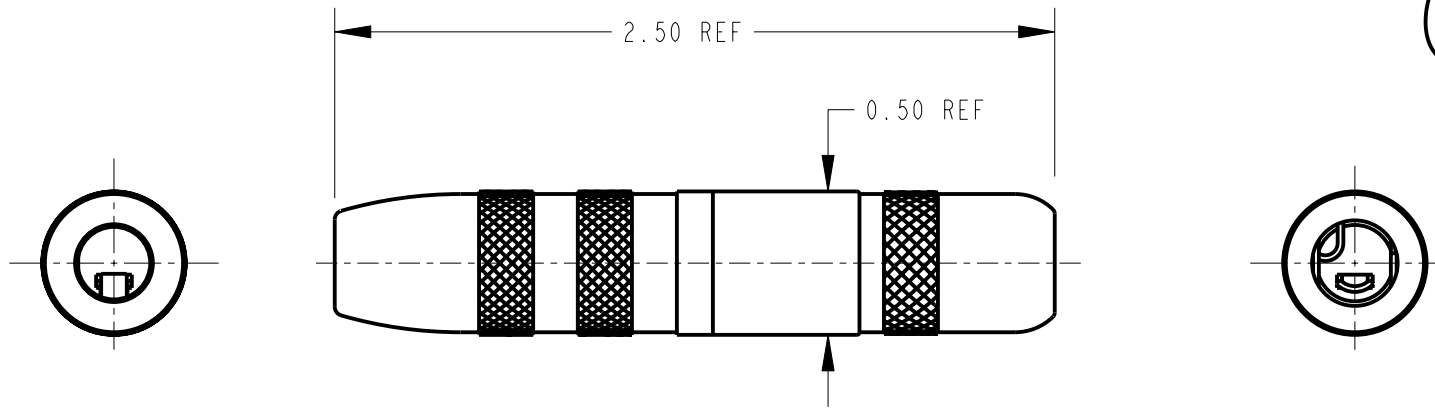
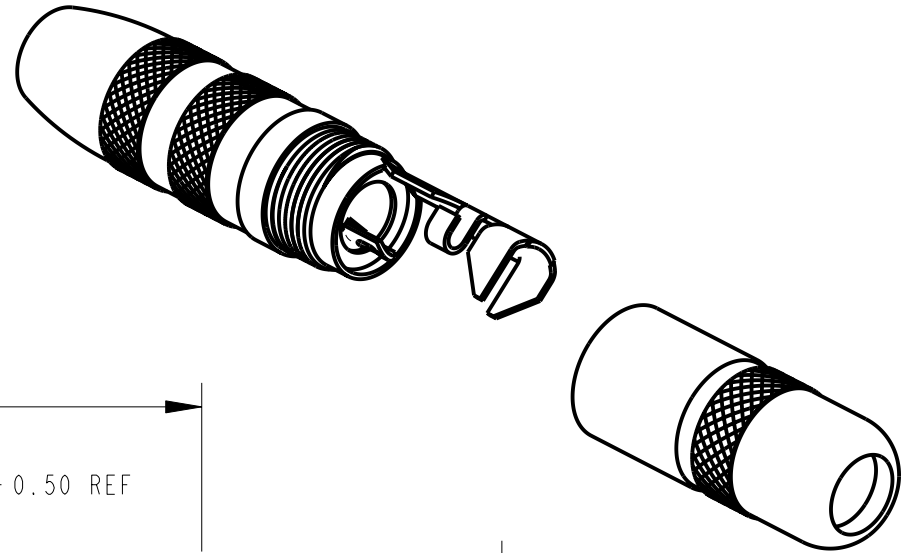


MATERIALS

- BODY, SLEEVE AND SHIELDED HANDLE - NICKEL PLATED COPPER ALLOY
- SPRINGS - SPECIAL COPPER ALLOY
- INSULATION - THERMOPLASTIC
- CLAMP TERMINAL - TIN PLATED COPPER ALLOY



CUSTOMER DRAWING

					★ STAR SYMBOL DENOTES CRITICAL DIMENSION	THIS DRAWING DESCRIBES A DESIGN CONSIDERED PROPRIETARY IN NATURE, DEVELOPED AND MANUFACTURED BY SWITCHCRAFT INC. AND IS RELEASED ON A CONFIDENTIAL BASIS FOR IDENTIFICATION PURPOSES ONLY.				
					UNLESS OTHERWISE SPECIFIED	SIZE	WIDTH	MULT	LBS/M	TEMPER
					1. ALL DIMENSIONS IN INCHES - TWO PLACE DECIMALS ±0.01 - THREE PLACE DECIMALS ±0.005 - ANGLES ±1° - ALL DIA. CONCENTRIC WITHIN 0.005 T.I.R.	FINISH			MATERIAL	
					2. FEATURES ON THE SAME CENTERLINE MUST BE ALIGNED WITHIN ±0.002	SPEC No.			SPEC No.	
					3. REMOVE ALL BURRS	FIRST USED ON		SCALE		Switchcraft®
F	23647	10-28-02	JL	JF		3:2				
REV	ECO NUMBER	DATE	BY	APVD	DO NOT SCALE DRAWING	DATE DRAWN	BY	CHKD	APVD	PART No.
						28-Oct-02	JL	JF 10-28-02	JF 10-28-02	121
REVISIONS						EXTENSION JAX (2 COND.)				REV F