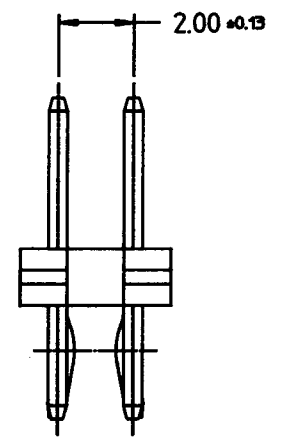
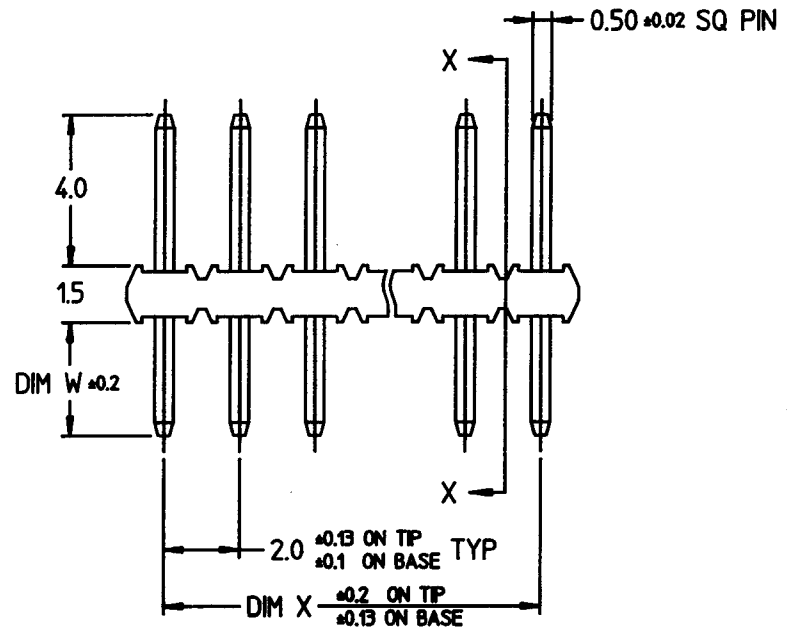
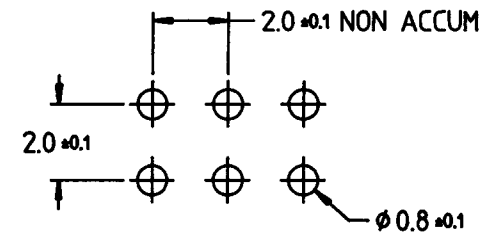
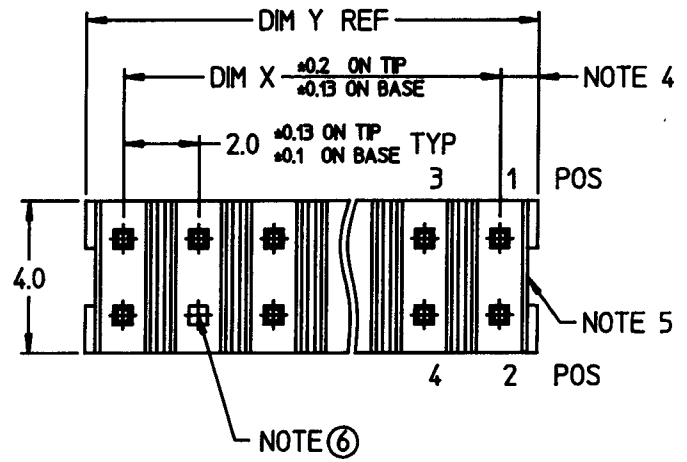


PRODUCT NO
SEE TABLE

REV	DESCRIPTION	REV'D BY	DATE
G	ECR S20315	BS LOW	16NOV92
H	ECR S40099	BS LOW	05MAY94
J	ECR S60064	BS LOW	08MAR96

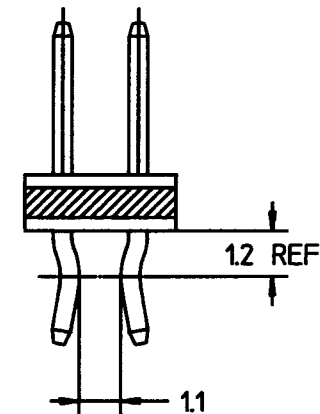


CUSTOMER COPY

GEN. TOLERANCES		DO NOT SCALE DWG MM		BERG ELECTRONICS
REFER TO NOTE 2				
DRAWN	BS LOW	DATE	08MAR96	PRODUCT NO. 88074
CHECKED	<i>By</i>	DATE	8 Mar 96	SCALE
APPROVED	<i>[Signature]</i>	DATE	8-3-96	SHT 1 OF 2

PRODUCT NO	POS	DIM X	DIM Y	DIM W	'KINK' POS	POL. POS	PLATING
88074-001	2X3	4	6	2.5	-	-	0.2 um MIN Au
-002	2X3	4	6	2.5	3, 4	-	0.2 um MIN Au
-003	2X14	26	28	2.5	-	-	0.2 um MIN Au
-004	2X14	26	28	2.5	13,14,15,16	-	0.2 um MIN Au
-005	2X20	38	40	3.0	-	17	0.2 um MIN Au
-006	2X20	38	40	3.0	1,2,39,40	17	0.2 um MIN Au
-007	2X22	42	44	3.0	-	20	0.2 um MIN Au
-008	2X22	42	44	3.0	1,2,43,44	20	0.2 um MIN Au
-009	2X4	6	8	2.5	1,2,7,8	-	0.2 um MIN Au
-010	2X25	48	50	3.0	-	5,6,26	0.2 um MIN Au
-011	2X25	48	50	3.0	1,2,49,50	5,6,26	0.2 um MIN Au
-012	2X15	28	30	3.0	-	-	0.38 um MIN GXT
-013	2X15	28	30	3.0	13,14,15,16	-	0.38 um MIN GXT
-014	2X15	28	30	2.5	-	-	0.38 um MIN GXT
-015	2X15	28	30	2.5	13,14,15,16	-	0.38 um MIN GXT
-016	2X14	26	28	2.3	-	-	0.38 um MIN GXT
-017	2X14	26	28	2.3	13,14,15,16	-	0.38 um MIN GXT
-018	2X8	14	16	2.5	7,8,9,10	-	0.2 um MIN Au

OBSOLETE
OBSOLETE
OBSOLETE
OBSOLETE
OBSOLETE
OBSOLETE
OBSOLETE



SECTION X-X
NOTE ③

NOTES

- 1 MATERIAL
BODY : GLASS FILLED NYLON UL 94V-0 BLACK
PIN : PHOSPHOR BRONZE
- 2 TOLERANCE UNLESS OTHERWISE NOTED ±0,25
- ③ 'KINKING' FEATURE OPTIONAL
REFER TO TABLE FOR 'KINK' POSITIONS.
- 4 DIM 1,0 ±0,15 MOLDED SIDE(S) ONLY
IF SIDE(S) ARE BROKEN DIM 1,5 MAX APPLIES
- 5 RECESS APPLIES TO MOLDED SIDE(S) ONLY
- ⑥ POLARISED BY OMISSION OF PINS. REFER TO TABLE FOR POL. POS.

CUSTOMER COPY

GEN. TOLERANCES		DO NOT SCALE DIMS		
REFER TO NOTE 2				
		NAME	DATE	DESCRIPTION
DRAWN		BS LOW	08MAR96	MINITEK II STR HDR
CHECKED		<i>Rj</i>	8 Mar 96	PRODUCT NO. 88074
APPROVED		<i>mm</i>	8.3.96	SCALE
				SHT 2 OF 2