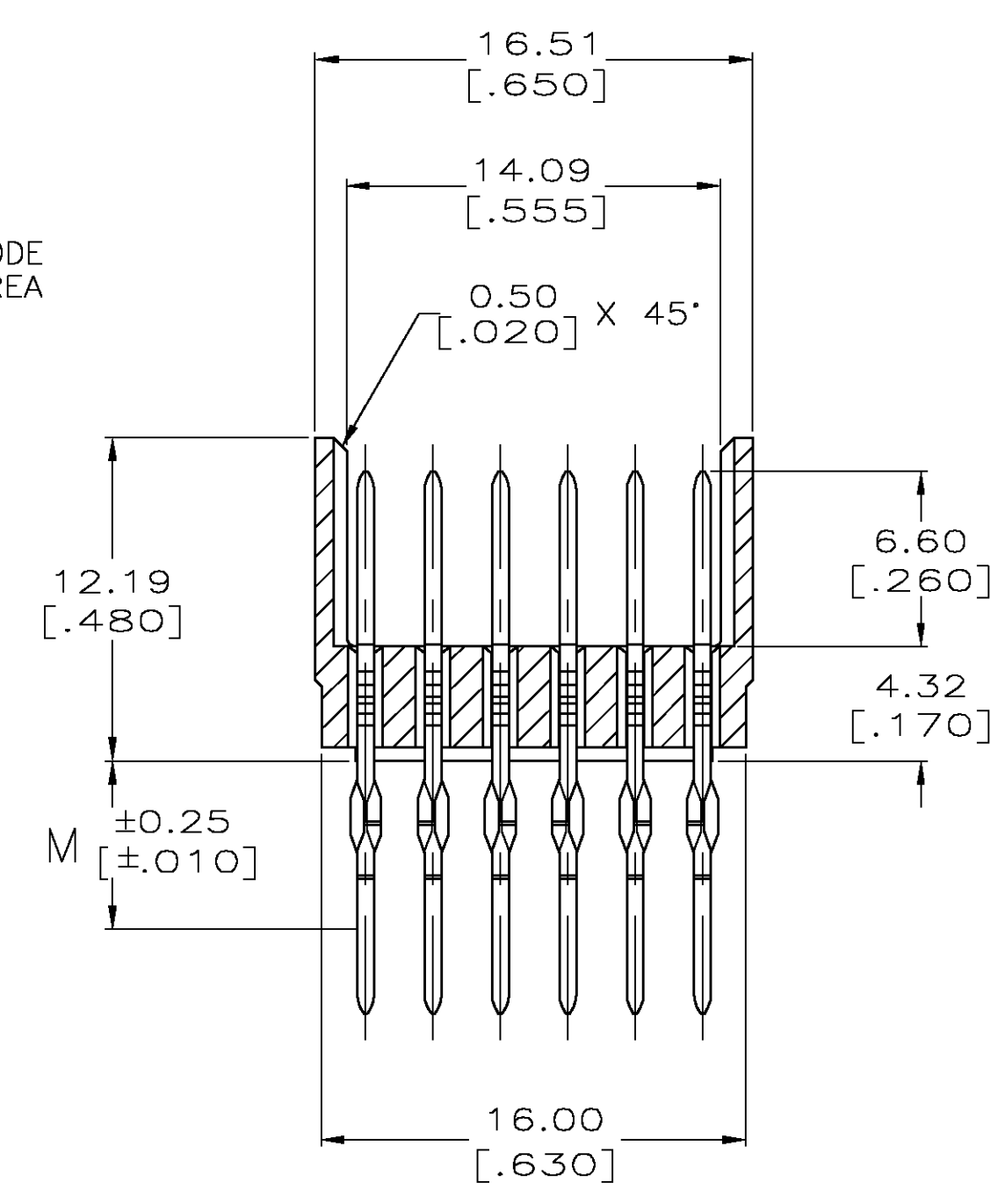
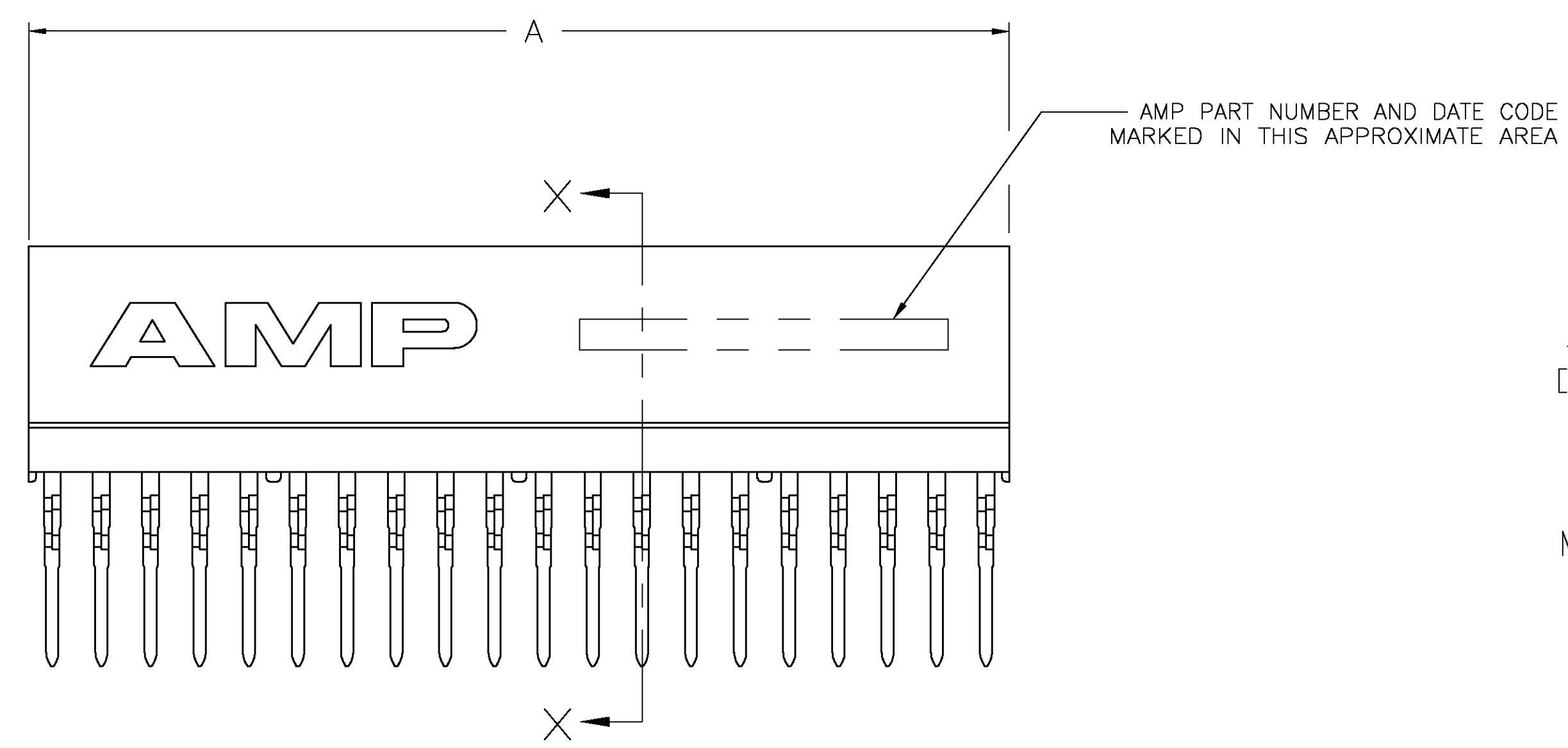
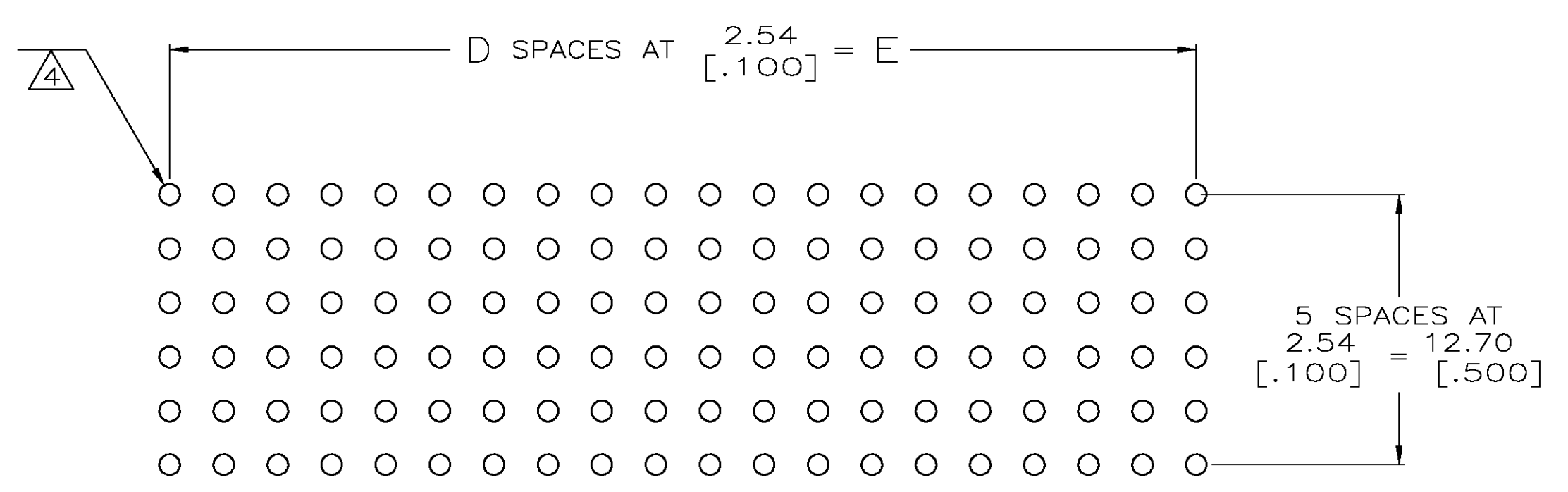


- ① HOUSING MATERIAL: THERMOPLASTIC, COLOR: BLACK.
- ② CONTACT MATERIAL: PHOSPHOR BRONZE.
- ③ CONTACT FINISH: 0.00127 [.000050] NICKEL UNDERPLATE ALL OVER. 0.00076 [.000030] GOLD PLATE IN CONTACT AREAS. TIN PLATE ON TAILS.
- ④ ACTION PIN POSTS REQUIRE 2.36 [.093] MIN THICK P.C. BOARD. RECOMMENDED P.C. BOARD HOLES ARE 1.151 [.0453] DIA PLATED THRU WITH 0.025-0.076 [.001-.003] COPPER AND 0.0076 [.0003] MIN TIN-LEAD. AFTER PLATING FINISHED HOLES SHALL BE 0.94-1.09 [.037-.043] DIA; AFTER REFLOW 0.91-1.09 [.036-.043] DIA.
- 5. GUIDE PINS AND KEYS SOLD SEPARATELY.



SECTION X-X



③	6.35 [.250]	48.26 [1.900]	19	50.67 [1.995]	40	80	120	5535841-2
FINISH	M	E	D	A	NO OF PLUS CONTACTS	NO OF SIGNAL CONTACTS	POSN	PART NO

THIS DRAWING IS A CONTROLLED DOCUMENT.

DIMENSIONS: mm [NCHES]	TOLERANCES UNLESS OTHERWISE SPECIFIED:	DWN: J. POLIGNONE	18MAY05		Tyco Electronics Corporation
0 PLC ± -	1 PLC ± -	CHK: A. SHARPE	18MAY05		Harrisburg, Pa 17105-3608
2 PLC ± 0.12 [.005]	3 PLC ± -	APVD: A. SHARPE	18MAY05	NAME: A. SHARPE	ASSEMBLY, PIN, CENTER MODULE, VERTICAL, TBC+, LEAD-FREE, .250 PRESS-FIT, 120 POSITION
4 PLC ± -	ANGLES ± -	PRODUCT SPEC: -	APPLICATION SPEC: -	SIZE: A1	CAGE CODE: 00779
MATERIAL: ①②	FINISH: ③	WEIGHT: -	DRAWING NO: 5535841	RESTRICTED TO: -	CUSTOMER DRAWING

SCALE: 4:1 SHEET 1 OF 1 REV 0