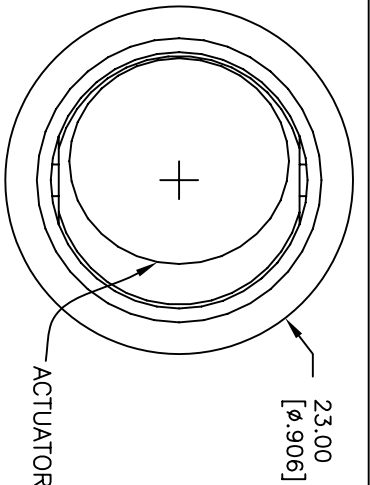
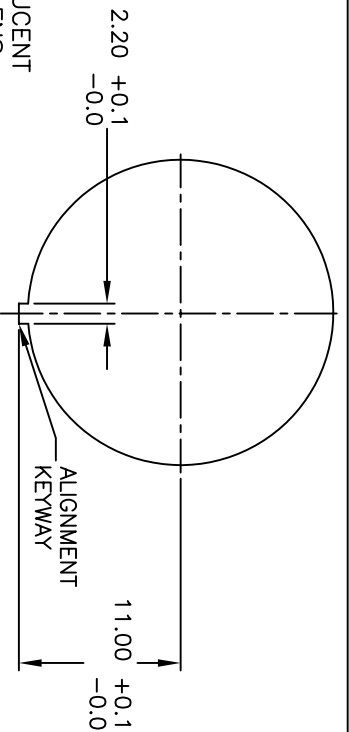


CIRCUIT: 2P. SPST
CONTACT CONFIGURATION
ON-OFF (ILLUMINATED)

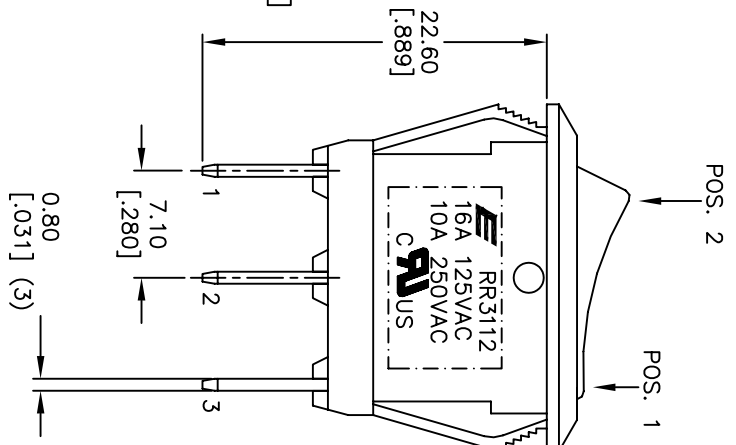
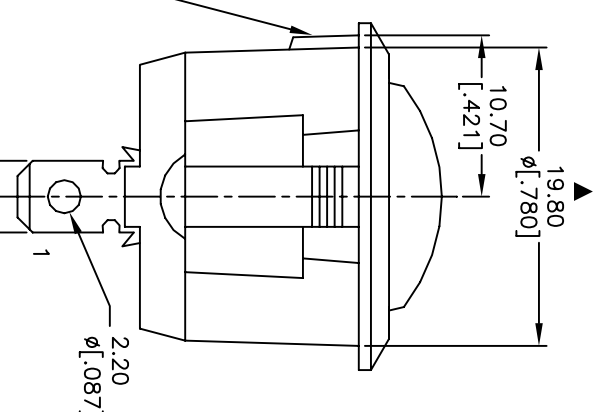
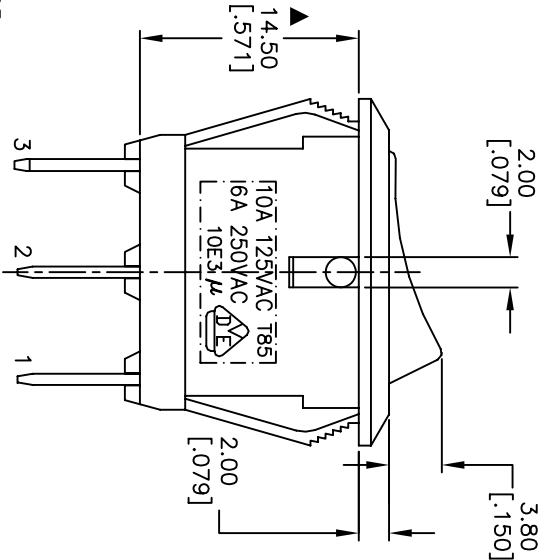


ACTUATOR: TRANSLUCENT GREEN LENS

RECOMMEND PANEL MOUNTING



SWITCH FUNCTION	POS. 1	POS. 2
ON	OFF	OFF
2-1	OPEN	OPEN



NOTES:

1. ALL DIMENSIONS IN MM [INCH]
2. GENERAL TOLERANCE: 0.00=±0.4
0.00=±0.25
3. TERM. NOS. FOR REF. ONLY
4. RATING: 16A, 12 VDC MAX.
5. CONTACT RESISTANCE: 50m ohm max.
6. INSULATION RESISTANCE: DC 500V 100M ohm min.
7. DIELECTRIC STRENGTHS: AC 1500V 1 minute
8. OPERATING TEMP.: -20°C to 85°C
9. LED: 12V GREEN
10. ▲ DENOTES CRITICAL PARAMETER.
11. 2002/95/EC (ROHS) COMPLIANT.

REV.	ECN No.	DESCRIPTION	DATE	CHKD
B	17942	CHANGE TO TRANSLUCENT GREEN LENS, 3 TERMS.	1/24/08	BLR
A	16814	RELEASED FOR PRODUCTION	1/8/2007	TN

TITLE	SCALE	DATE	DR	DWG	REV
RR3112BBLKGRNGRNEF4 - SPECIAL	2:1	1/8/2007	BLR	F130513	B



THE INFORMATION CONTAINED IN THIS DOCUMENT IS PROPRIETARY TO E-SWITCH AND IS NOT TO BE COPIED OR TRANSFERRED