

MATERIALS AND FINISHES

BODY, REAR BODY, COUPLING NUT BRASS
PLATED GOLD

CENTER CONTACT BRASS
PLATED GOLD

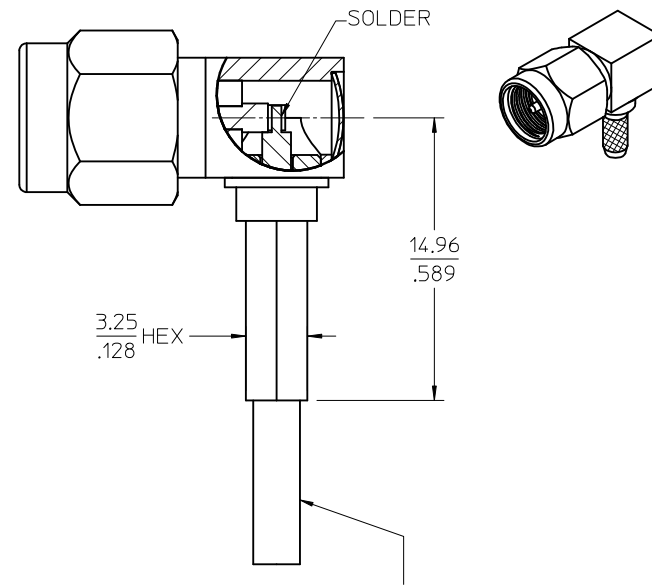
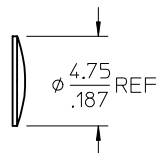
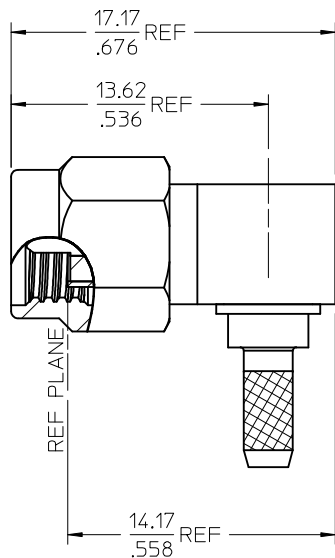
INSULATOR TEFLON

CAP STAINLESS STEEL
PASSIVATED

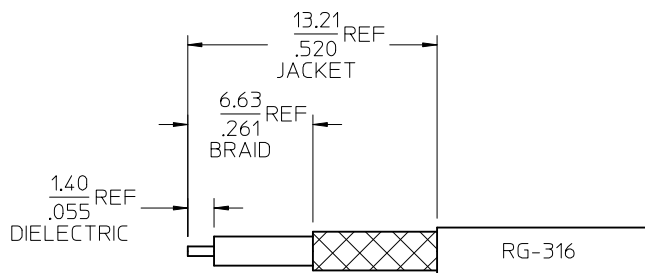
C-RING BERYLLIUM COPPER

CRIMP TUBE BRASS
PLATED SEE TABLE

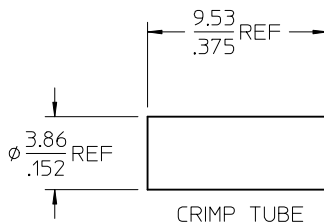
SHRINK TUBE VERSAFIT



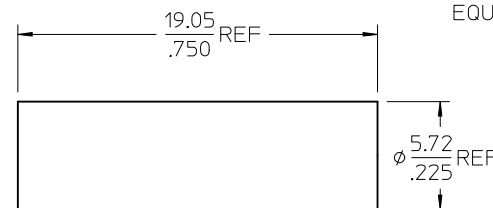
RG-316 OR EQUIVALENT



RECOMMENDED CABLE STRIP



CRIMP TUBE



SHRINK TUBE
(73391-0231 ONLY)

PS-89675-3460	ELECTRICAL/MECHANICAL
MIL-STD-348A, FIG. 310-1	INTERFACE
SPECIFICATION	DESCRIPTION

73391-0234	NOT INCLUDED	NICKEL	73391-0230 PACKED ONE PER BAG
73391-0233	NOT INCLUDED	GOLD	STANDARD TRAY
73391-0232	NOT INCLUDED	NICKEL	73391-0230 PACKED IN SMALL TRAY (20 CAVITY)
73391-0231	INCLUDED	NICKEL	STANDARD TRAY
73391-0230	NOT INCLUDED	NICKEL	STANDARD TRAY
PART NO.	SHRINK TUBE	CRIMP TUBE	PACKAGING
		PLATING	

<p>CHG: REVISED CABLE STRIPS.</p> <p>EC NO: URF2013-0075</p> <p>DRWN: JWIENER 2012/08/07</p> <p>CHKD: SSS 2012/08/07</p> <p>APPR: JWIENER 2012/08/09</p>	<p>QUALITY SYMBOLS</p> <p>▽=0</p> <p>▽=0</p>	<p>GENERAL TOLERANCES (UNLESS SPECIFIED)</p> <table border="1"> <tr> <th></th> <th>mm</th> <th>INCH</th> </tr> <tr> <td>4 PLACES</td> <td>± .005</td> <td>± .0002</td> </tr> <tr> <td>3 PLACES</td> <td>± .005</td> <td>± .0002</td> </tr> <tr> <td>2 PLACES</td> <td>± .005</td> <td>± .0002</td> </tr> <tr> <td>1 PLACE</td> <td>± .005</td> <td>± .0002</td> </tr> </table> <p>ANGULAR ± 2°</p>		mm	INCH	4 PLACES	± .005	± .0002	3 PLACES	± .005	± .0002	2 PLACES	± .005	± .0002	1 PLACE	± .005	± .0002	<p>DIMENSION STYLE</p> <p>MM/IN</p>	<p>SCALE</p> <p>DESIGN UNITS</p> <p>METRIC</p>	<p>THIRD ANGLE PROJECTION</p>
				mm	INCH															
			4 PLACES	± .005	± .0002															
			3 PLACES	± .005	± .0002															
2 PLACES	± .005	± .0002																		
1 PLACE	± .005	± .0002																		
<p>DRAFT WHERE APPLICABLE MUST REMAIN WITHIN DIMENSIONS</p>		<p>DRAWN BY</p> <p>LYNN LIN 2001/01/30</p>	<p>DATE</p> <p>2001/01/30</p>	<p>TITLE</p> <p>SMA PLUG R/A 50 OHMS FOR RG-316</p>																
<p>A6</p>		<p>APPROVED BY</p> <p>MISEN 2001/01/30</p>	<p>DATE</p> <p>2001/01/30</p>	<p>MOLEX MOLEX INCORPORATED</p>																
<p>SEE TABLE</p>		<p>MATERIAL NO.</p> <p>DOCUMENT NO.</p>	<p>SD-73391-023</p>	<p>SHEET NO.</p> <p>1 OF 1</p>																