

DWG. NO.  
SD-35303-001

SIMILAR ITEM

PROJECT NO.

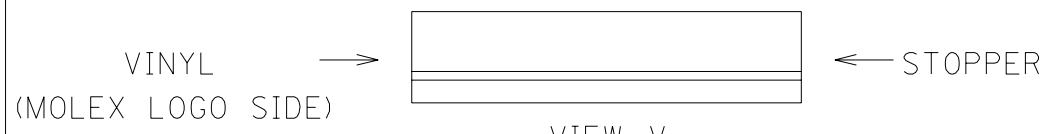
5

4

3

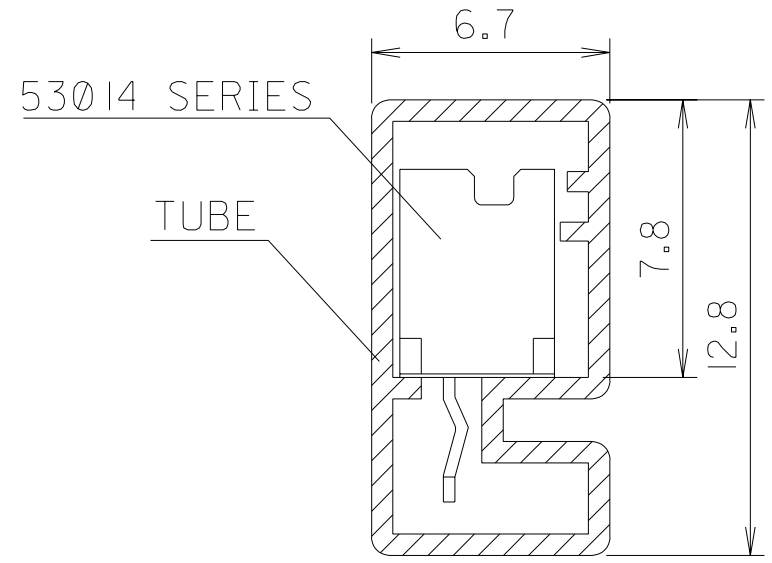
2

1



NOTES  
 1. TUBE : STOPPER & VINYL LOCKING TYPE  
 2. THICKNESS : 0.6+  
 3. LENGTH : 550mm

LEGEND 35303-\*\*\* 5 \*  
 COLOR : 0 --- NATURAL  
 1 --- BLACK  
 2 --- RED  
 3 --- YELLOW  
 4 --- BLUE  
 CKT (02, 03, 04, ...)



15	35303155*	35303-155*	8	35303085*	35303-085*	53014 SERIES	
14	35303145*	-145*	7	35303075*	-075*		
13	35303135*	-135*	6	35303065*	-065*		
12	35303125*	-125*	5	35303055*	-055*		
11	35303115*	-115*	4	35303045*	-045*		
10	35303105*	-105*	3	35303035*	-035*		
9	35303095*	35303-095*	2	35303025*	35303-025*		
CKTS	MAT'L NO.	ENG NO.	CKTS	MAT'L NO.	ENG NO.		USED ON

NEW RELEASED  
 EC NO. KOR2004-0124  
 DRWN: K.S.KIM (040324)  
 CH'K: J.K.OH  
 APPR: C.W.LEE

DESCRIPTION  
 MAJOR  
 CRITICAL

GENERAL TOLERANCES:  
(UNLESS SPECIFIED)

	mm	INCH
4 PLACES	±0.	±.
3 PLACES	±0.	±.
2 PLACES	±0.	±.
1 PLACE	±0.	±.

ANGULAR: ± °

DRAFT WHERE APPLICABLE MUST REMAIN WITHIN DIMENSIONS

SCALE NONE  
 DESIGN UNITS  mm  INCH  
 THIRD ANGLE PROJECTION  
 DRAWN BY & DATE  
 H.S.SHIN (910220)  
 CHECKED BY & DATE  
 J.K.OH  
 APPROVED BY & DATE  
 C.W.LEE  
 CAD FILENAME  
 SD-35303-001

DIMENSIONS:  
 mm  INCH  mm ONLY

SHT REV  
 REVISE ON CAD ONLY

TITLE:  
 TUBE PACKAGED FOR 53014 SERIES

MOLEX INCORPORATED KOREA

MATERIAL NO. SEE TABLE  
 DRAWING NO. SD-35303-001  
 SHEET NO. 1 OF 1

THIS DRAWING CONTAINS INFORMATION THAT IS PROPRIETARY TO MOLEX INCORPORATED AND SHOULD NOT BE USED WITHOUT WRITTEN PERMISSION.

SIZE A

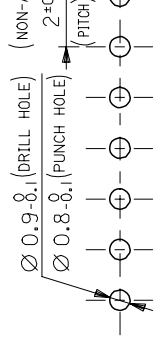
5

4

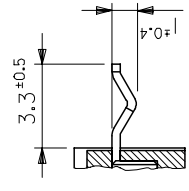
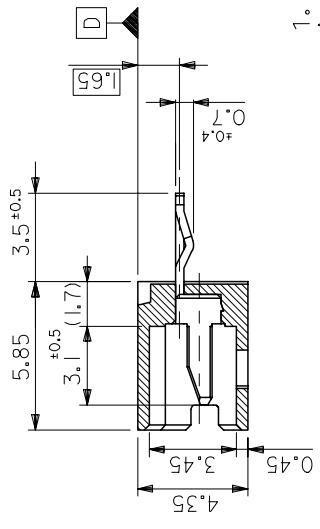
3

2

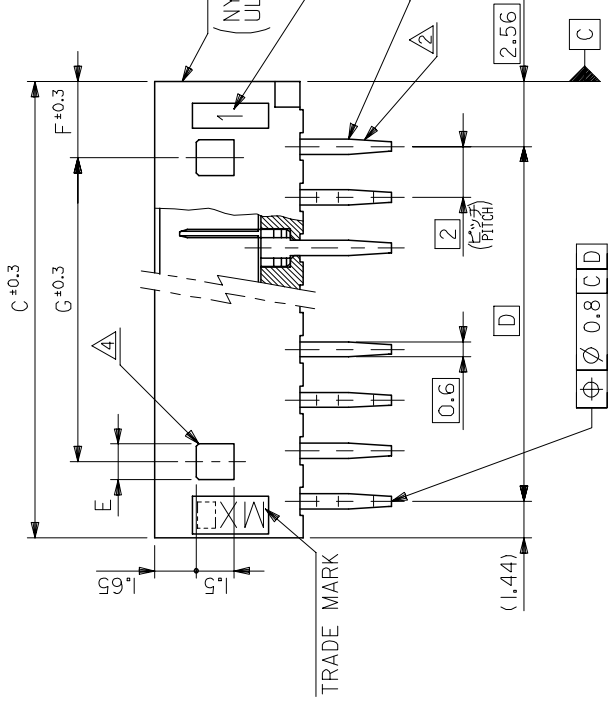
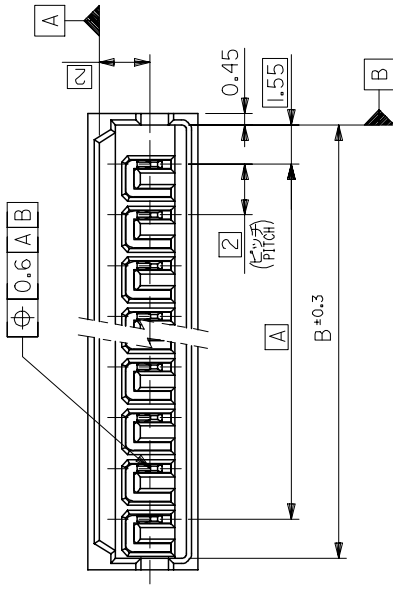
MX-A4



RECOMMENDED P.C. BOARD  
HOLE DIMENSION(REFERENCE) t=1.6



KINK FORM FOR 2 CKTS.  
SOLDER TAIL KINK SHOULD BE ADDED ON BOTH TAILS.



NOTES

- MATES WITH : 51004-\*\*\*00
- KINK TO BE ADDED ON THE ODD NUMBER SOLDER TAILS.(FROM THE TRADE MARK SIDE.)
- \* MARK INDICATES DYED COLOR :  
"0" NATURAL, "1" BLACK, "2" RED, "3" YELLOW, "4" BLUE
- LOCKING HOLE : 1 PLACE FOR 2, 3 CKTS. AND 2 PLACES FOR 4 CKTS. AND MORE THAN 4 CKTS.

G	F	E	D	C	B	A	DIMENSIONS:		SHT	REV
							INCH	MM		
26	3	1.4	28	31.1	28	53014-15*	35303-155*	15		
24	3	1.4	26	29.1	26	-14*	35303-145*	14		
22	3	1.4	24	27.1	24	-13*	35303-135*	13		
20	3	1.4	22	25.1	22	-12*	35303-125*	12		
18	3	1.4	20	23.1	20	-11*	35303-115*	11		
16	3	1.4	18	21.1	18	-10*	35303-105*	10		
14	3	1.4	16	19.1	16	-09*	35303-095*	9		
12	3	1.4	14	17.1	14	-08*	35303-085*	8		
10	3	1.4	12	15.1	12	-07*	35303-075*	7		
8	3	1.4	10	13.1	10	-06*	35303-065*	6		
6	3	1.4	8	11.1	8	-05*	35303-055*	5		
4	3	1.4	6	9.1	6	-04*	35303-045*	4		
---	4	3.4	4	7.1	4	-03*	35303-035*	3		
---	3	1.4	2	5.1	2	53014-02*	35303-025*	2		
G	F	E	D	C	B	A	ENG. NO. $\Delta$	ENG NO. $\Delta$	NO. OF CKTS.	

DO NOT SCALE DRAWING  
DIMENSION IN METRIC

QUALITY SYMBOLS	DESCRIPTION
MAJOR	
CRITICAL	

GENERAL TOLERANCES:	UNLESS SPECIFIED
4 PLACES	±0.
3 PLACES	±0.
2 PLACES	±0.
1 PLACE	±0.
ANGULAR: ± °	

ANGLE	GENERAL TOLERANCES
30 OVER	±0.3
10 OVER 30 UNDER	±0.25
10 UNDER	±0.2

SCALE	DESIGN UNITS	THIRD ANGLE PROJECTION	TITLE
5:1	MM/INCH		2.0 LOW PROFILE WAFER ASSY
DRAWN BY & DATE		APPROVED BY & DATE	
K.SKIM (060102)		S.H.CHOI	
CHECKED BY & DATE		CAD FILE NAME	
Y.Soo.KIM		SD-35303-010	

SHEET NO	OF	SIZE
1	1	B

THIS DRAWING CONTAINS INFORMATION THAT IS PROPRIETARY TO MOLEX INCORPORATED AND SHOULD NOT BE USED WITHOUT WRITTEN PERMISSION.