

5

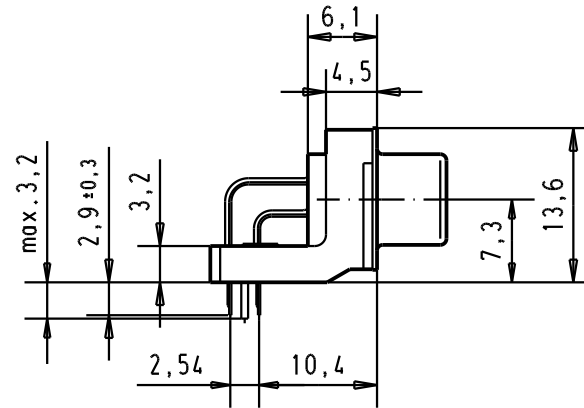
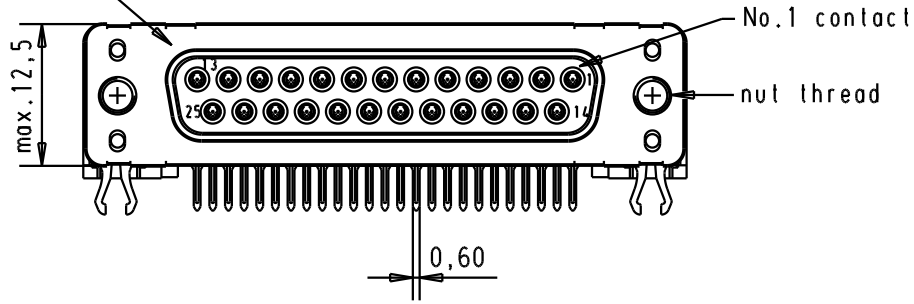
4

3

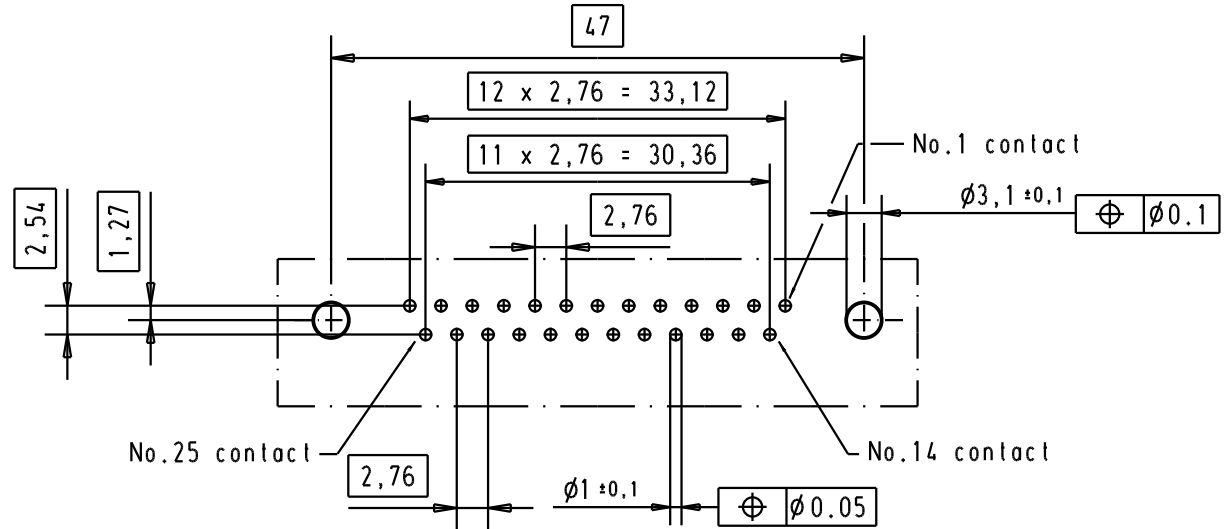
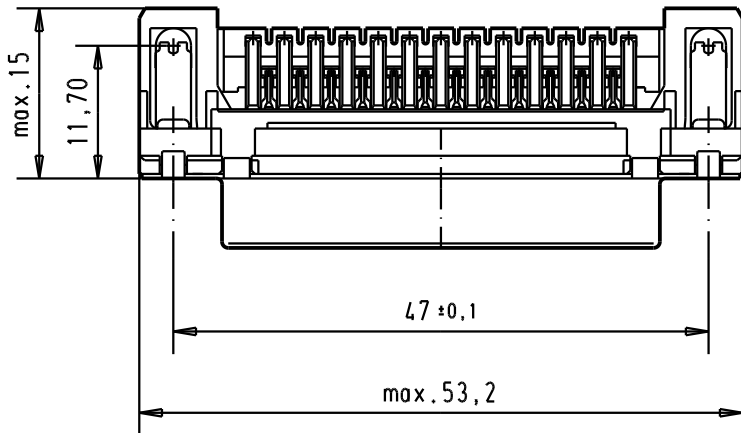
2

1

Mating face according to : MIL-C-24308 / DIN 41652 / CECC 75301-802




Printed board layout component side



Connector retention and insertion forces on the PCB = 25 / 80 newtons

A

09 66 356 3611	M 3	1											
09 66 356 6611	M 3	2											
09 66 356 7611	M 3	3											
09 66 356 3612	4-40 UNC	1	31892	05/05/04	JH								
09 66 356 6612	4-40 UNC	2	29723	05-MAR-02	CV								
09 66 356 7612	4-40 UNC	3	29750	15-FEB-02	JB								
Part number	Nut thread	Performance level	Mod.	Dat.	Name	HARTING EURL F-95972 Paris				D-Sub , High temperature, female, standard, 25 poles with solder pins 2,9mm, nuts and grounding board lock		Maßstab/ Scale 1.5:1	
										TB 0966356x61x		Blatt/ Page 1/	
										Sub.			