

MATERIALS AND FINISHES

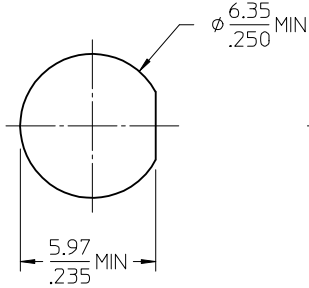
BODY, CRIMP TUBE: BRASS
PLATED SEE TABLE

CONTACT: BERYLLIUM COPPER
PLATED SEE TABLE

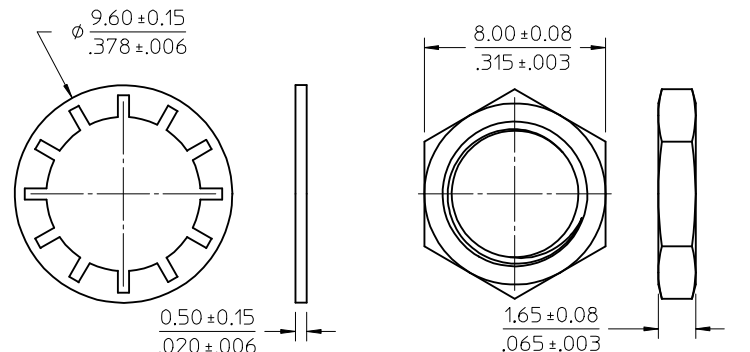
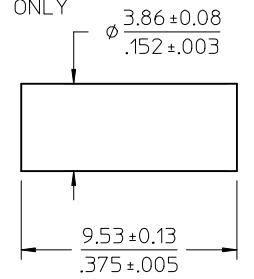
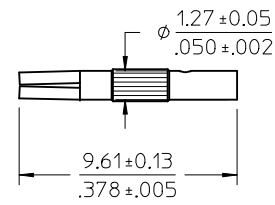
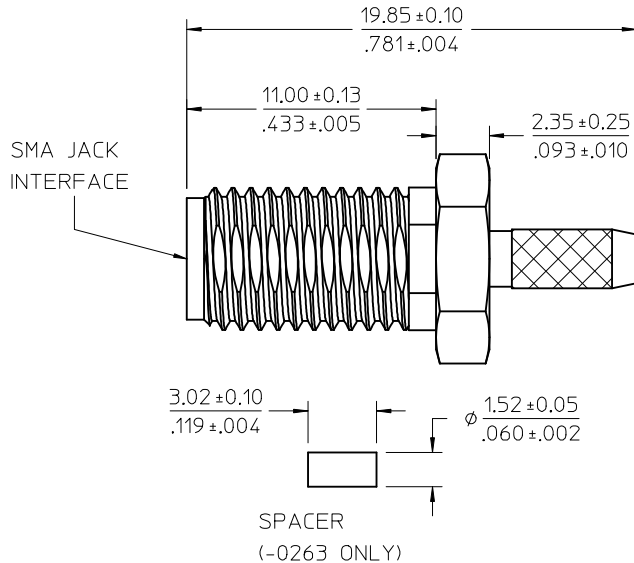
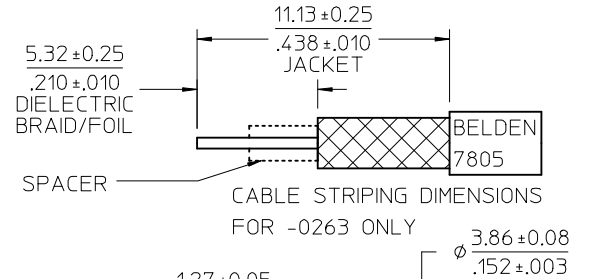
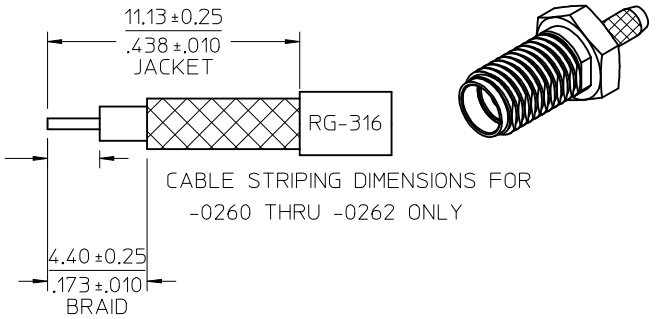
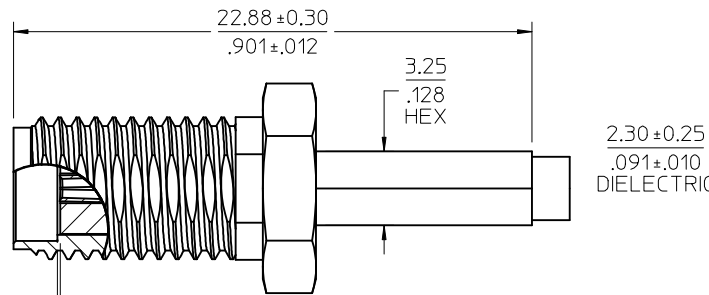
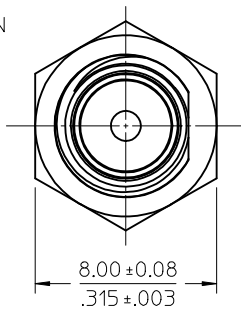
LOCK WASHER: PHOSPHOR BRONZE
PLATED GOLD (10 μ IN MIN)

JAM NUT: BRASS
PLATED GOLD (FLASH)

INSULATOR, SPACER: TEFLON



SUGGESTED PANEL CUTOUT
MAX PANEL THICKNESS 3.18 (.125)



| | | | | |
|------------|-------------------|-------------------|--------------|--------------|
| 73391-0263 | GOLD (10μ IN MIN) | GOLD (30μ IN MIN) | NOT INCLUDED | INCLUDED |
| 73391-0262 | GOLD (10μ IN MIN) | GOLD (30μ IN MIN) | NOT INCLUDED | NOT INCLUDED |
| 73391-0261 | GOLD (FLASH) | GOLD (10μ IN MIN) | NOT INCLUDED | NOT INCLUDED |
| 73391-0260 | GOLD (FLASH) | GOLD (10μ IN MIN) | INCLUDED | NOT INCLUDED |
| PART NO. | BODY/CRIMP T | CONTACT | WASHER/NUT | SPACER |
| | PLATING | PLATING | | |

| | |
|---------------|----------------------|
| PS-89675-346 | ELE/MECH PERFORMANCE |
| SPECIFICATION | DESCRIPTION |

| | | | | | | |
|--|-----------------|---|---|---|--------------|---|
| CHG: ADD TOLERANCES EC NO: URF2013-0242 DRWN: JWIENER 2012/10/23 CHKD: SSS 2012/10/23 APPR: JWIENER 2012/10/25 | QUALITY SYMBOLS | GENERAL TOLERANCES (UNLESS SPECIFIED) | DIMENSION STYLE | SCALE | DESIGN UNITS | THIRD ANGLE PROJECTION |
| | ▽=0 ▽=0 | mm INCH 4 PLACES ± --- ± --- 3 PLACES ± --- ± --- 2 PLACES ± --- ± --- 1 PLACE ± --- ± --- ANGULAR ± 2 ° | MM/IN | DRAWN BY: LYNN LIN DATE: 2001/06/14 CHECKED BY: _____ DATE: _____ APPROVED BY: _____ DATE: _____ | METRIC | SMA JACK, BULKHEAD FOR RG316/174 SMA-JC MOLEX INCORPORATED |
| | B4 | DRAFT WHERE APPLICABLE MUST REMAIN WITHIN DIMENSIONS | MATERIAL NO. SEE TABLE DOCUMENT NO. SD-73391-026 SHEET NO. 1 OF 1 | THIS DRAWING CONTAINS INFORMATION THAT IS PROPRIETARY TO MOLEX INCORPORATED AND SHOULD NOT BE USED WITHOUT WRITTEN PERMISSION | | |

