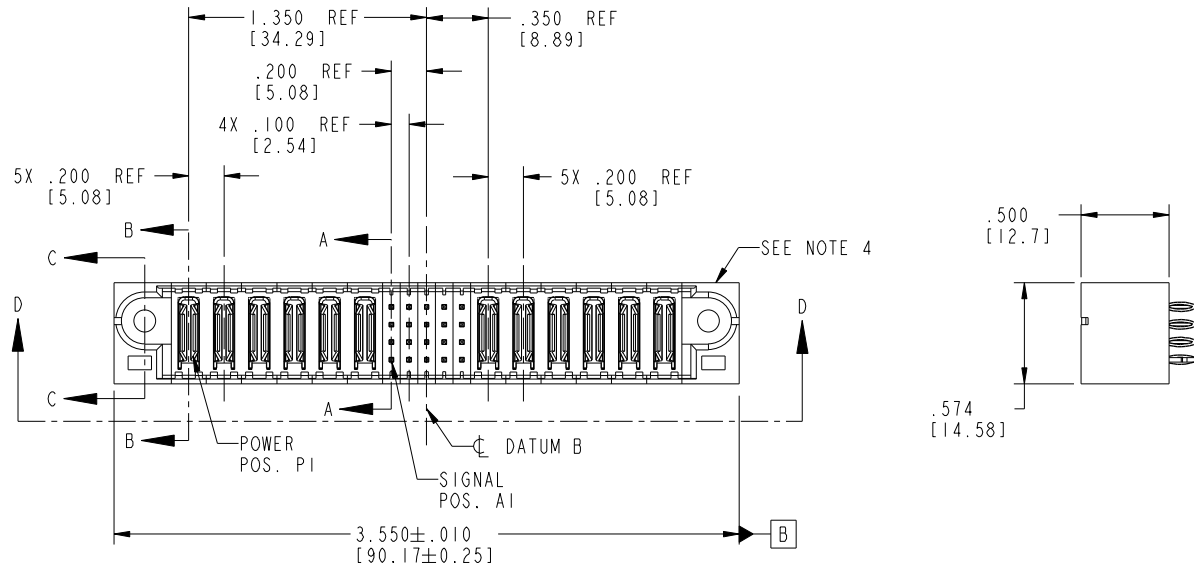


Tous droits strictement reserves. Reproduction ou communication a des tiers interdite sous quelque forme que ce soit sans autorisation écrite du propriétaire. Propriete de c FCI. Droits de reproduction FCI.



All rights strictly reserved. Reproduction or issue to third parties in any form whatever is not permitted without written authority from the proprietor. Property of FCI. Copyright FCI.

PRODUCT NO.	ROWS	POWER					SIGNAL					POWER					E2			
		E1	P1	P2	P3	P4	P5	P6	1	2	3	4	5	P7	P8	P9		P10	P11	P12
51952-041... NOTE 3	D C B A		PC	PC	PC	PC	PC	PC	G	G	G	G	G	PC	PC	PC	PC	PC	PC	



CODE	DIM "M"	MATING LENGTH	CONTACT TYPE
PC	[N/A]	[N/A]	POWER
HA	N/A	[N/A]	HOLD-DOWN
G	.270	[6.86]	SIGNAL

mat'l code				SEE NOTE 2		tolerances unless otherwise specified		CUSTOMER		www.fciconnect.com	
ltr	ecn no.	dr	date	linear	.XX±.01/0.X±0.3	projection		COPY		title	
A	V04-0516	TAB	05/18/04		.XXX±.005/0.XX±0.13	INCH/MM		6P + 20S + 6P		VERTICAL PRESS-FIT HEADER	
B	DG05-0515	Ryan	12/02/05	angles	.XXX±.002/0.XXX±0.051	scale		product family		code	
C	DG07-0357	SH	01/07/08		0°±7°	1:1		PwrBlade		213	
				dr	T. BRUNGARD	05/18/04		size		dwg no	
				enr	M. GRAY	05/18/04		A		51952-041	
				chr	M. GRAY	05/18/04		sheet		1 of 4	
				appd	M. GRAY	05/18/04		cage code		22526	
sheet index		revision sheet		C	C	C	C				
		i 2		3	4						

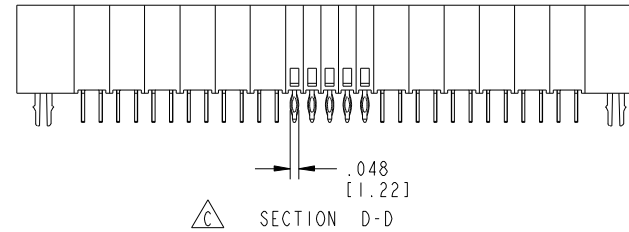
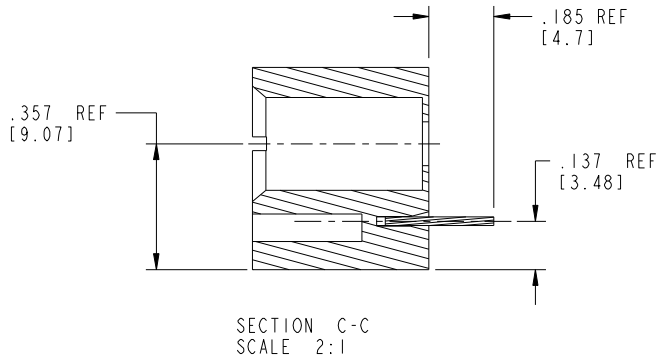
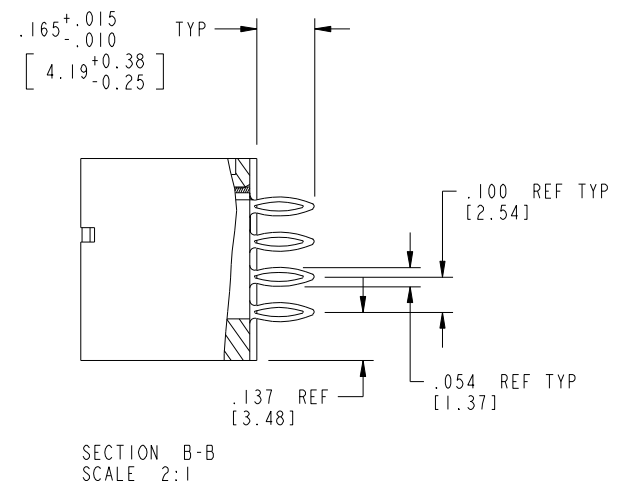
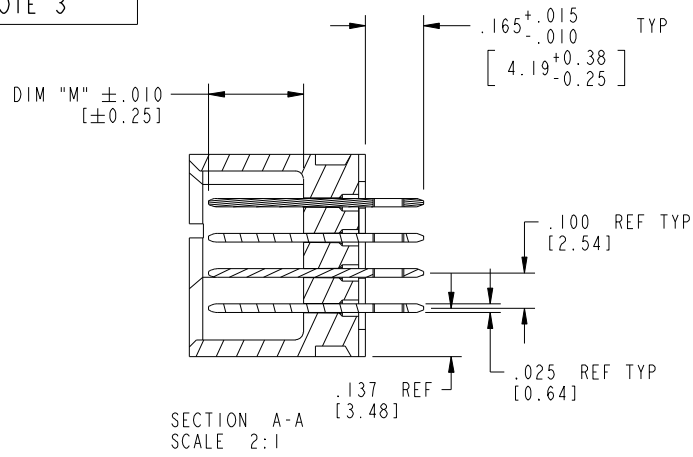
Pro/E

cage code 22526

Tous droits strictement réservés. Reproduction ou communication à des tiers interdite sous quelque forme que ce soit sans autorisation écrite du propriétaire. Propriété de c.FCI. Droits de reproduction FCI.

All rights strictly reserved. Reproduction or issue to third parties in any form whatever is not permitted without written authority from the proprietor. Property of FCI. Copyright FCI.

PRODUCT NUMBER
51952-041--
NOTE 3



mat'l code		SEE NOTE 2		tolerances unless otherwise specified		CUSTOMER		FCI		www.fciconnect.com		
ltr	ecn no.	dr	date	linear	.XX±.01/0.X±0.3	COPY		title 6P + 20S + 6P				
C					.XXX±.005/0.XX±0.13	projection		VERTICAL PRESS-FIT HEADER				
				angles	.XXX±.0020/0.XXX±0.051	INCH/MM		product family PwrBlade		code 213		
				dr	T. BRUNGARD 05/18/04	scale 1:1		size		sheet 2 of 4		
				enr	M. GRAY 05/18/04			dwg no		51952-041		
				chr	M. GRAY 05/18/04							
				appd	M. GRAY 05/18/04							
sheet index	revision sheet											

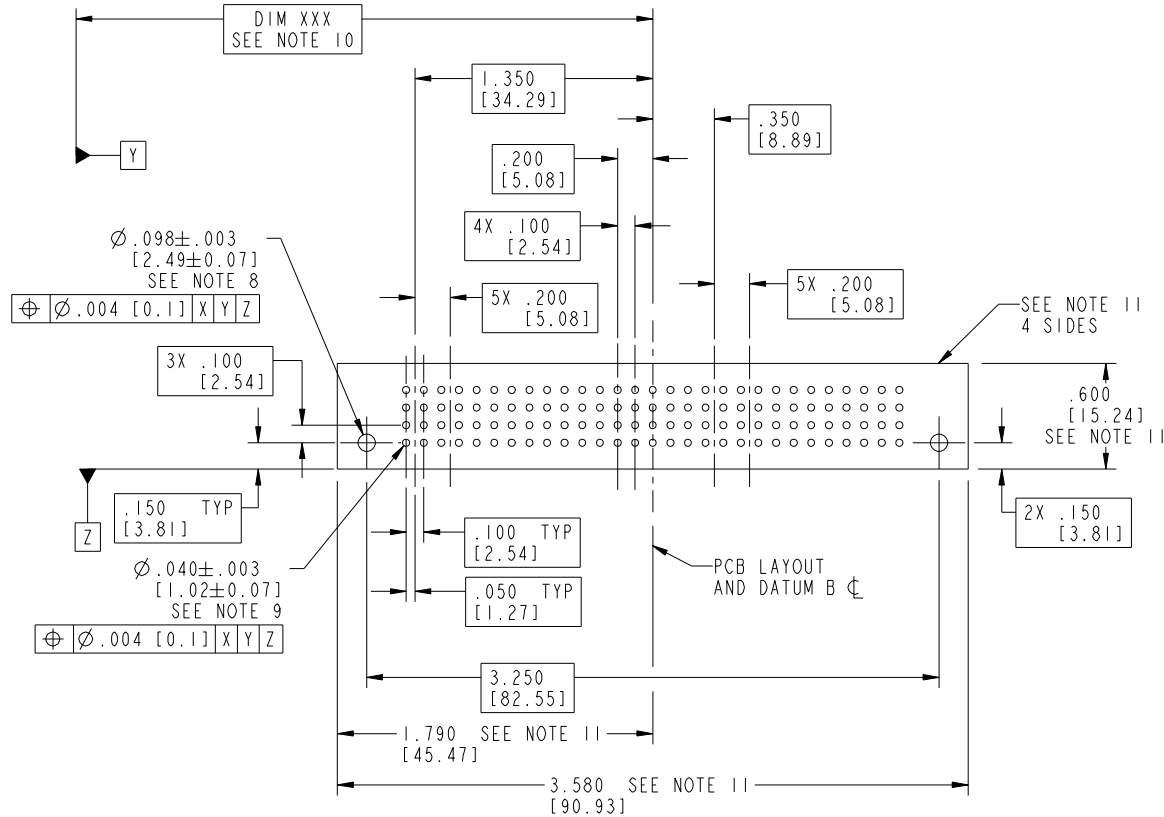
cage code 22526

Pro/E

Tous droits strictement réservés. Reproduction ou communication à des tiers interdite sous quelque forme que ce soit sans autorisation écrite du propriétaire. Propriété de c.FCI. Droits de reproduction FCI.

All rights strictly reserved. Reproduction or issue to third parties in any form whatever is not permitted without written authority from the proprietor. Property of FCI. Copyright FCI.

PRODUCT NUMBER
51952-041--
NOTE 3



RECOMMENDED PCB LAYOUT

mat'l code		SEE NOTE 2		tolerances unless otherwise specified		CUSTOMER		FCI		www.fciconnect.com	
ltr	ecn no.	dr	date	linear	.XX±.01/0.X±0.3	COPY		projection		title	
C					.XXX±.005/0.XX±0.13	INCH/MM		6P + 20S + 6P		VERTICAL PRESS-FIT HEADER	
				angles	.XXX±.0020/0.XXX±0.051	scale		product family		code	
				dr	0°±?	1:1		PwrBlade		213	
				enr	T. BRUNGARD 05/18/04	A		size		sheet	
				chr	M. GRAY 05/18/04	51952-041		dwg no		3 of 4	
				appd	M. GRAY 05/18/04	cage code		22526			
sheet index	revision sheet										

Pro/E

cage code 22526

Tous droits strictement reserves. Reproduction ou communication a des tiers interdite sous quelque forme que ce soit sans autorisation écrite du propriétaire. Propriete de c FCI. Droits de reproduction FCI.



All rights strictly reserved. Reproduction or issue to third parties in any form whatever is not permitted without written authority from the proprietor. Property of FCI. Copyright FCI.

PRODUCT NUMBER
51952-041--
NOTE 3

NOTES:

1. DIMENSIONS AND TOLERANCES ARE IN ACCORDANCE WITH ASME Y14.5M, 1994 UNLESS OTHERWISE SPECIFIED.

CONNECTOR NOTES:

- ② HOUSING MATERIAL: UL 94 V-0 GLASS FILLED HIGH-TEMP THERMOPLASTIC
POWER CONTACT MATERIAL: COPPER ALLOY
SIGNAL PIN MATERIAL: COPPER ALLOY

3. PLATING:

- △ 51952-041, 51952-041LF, PLATING SPEC. SEE PRINT: 10064183

- ④ MANUFACTURER'S NAME, P/N, AND DATE CODE TO APPEAR ON THIS SURFACE.

5. PRODUCT SPECIFICATION GS-12-149.
APPLICATION SPECIFICATION BUS-20-067.

6. PACKAGED IN TRAYS.

PCB NOTES:

- 7. ALL HOLE DIAMETERS ARE FINISHED HOLE SIZE.
- 8. MOUNTING HOLES, WHERE APPLICABLE, ARE UNPLATED.

- ⑨ $\varnothing .0453 \pm .0010$ [1.151 \pm 0.025] DRILLED HOLES PLATED WITH
.0003 [0.008] MIN SnPb OVER .001 [0.03]
TO .003 [0.08] Cu PLATING TO ACHIEVE
 $\varnothing .040 \pm .003$ [1.02 \pm .07] HOLE.

- ⑩ "DIM XXX" TO BE DETERMINED BY THE CUSTOMER.

- ⑪ CONNECTOR KEEP-OUT ZONE.

12. FOR PRESS FIT APPLICATION,
USE FCI CAM TOOL 430169-048

13. A △ SYMBOL WILL BE NEXT TO ANY DIMENSION,
VIEW, OR NOTE WHICH HAS BEEN MODIFIED WITH
CURRENT DRAWING REVISION.

mat'l code		SEE NOTE 2		tolerances unless otherwise specified		CUSTOMER		FCI		www.fciconnect.com	
ltr	ecn no.	dr	date	linear	.XX±.01/0.X±0.3	COPY					
C					.XXX±.005/0.XX±0.13	projection		title 6P + 20S + 6P			
				angles	.XXX±.0020/0.XXX±0.051			VERTICAL PRESS-FIT HEADER			
				dr	0°±?	INCH/MM		product family PwrBlade		code 213	
				enr	T. BRUNGARD 05/18/04	scale		size		sheet 4 of 4	
				chr	M. GRAY 05/18/04	1:1		A		51952-041	
				appd	M. GRAY 05/18/04						
sheet index		revision sheet									

cage code 22526

1 | 2

Pro/E

3 |

4