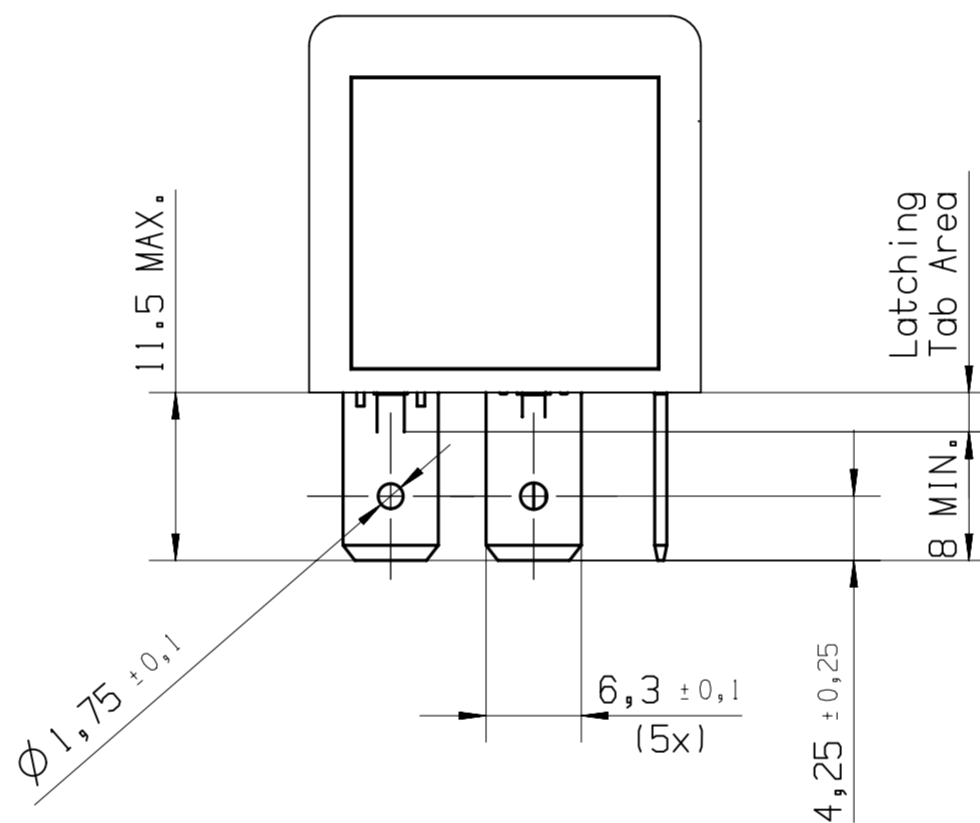
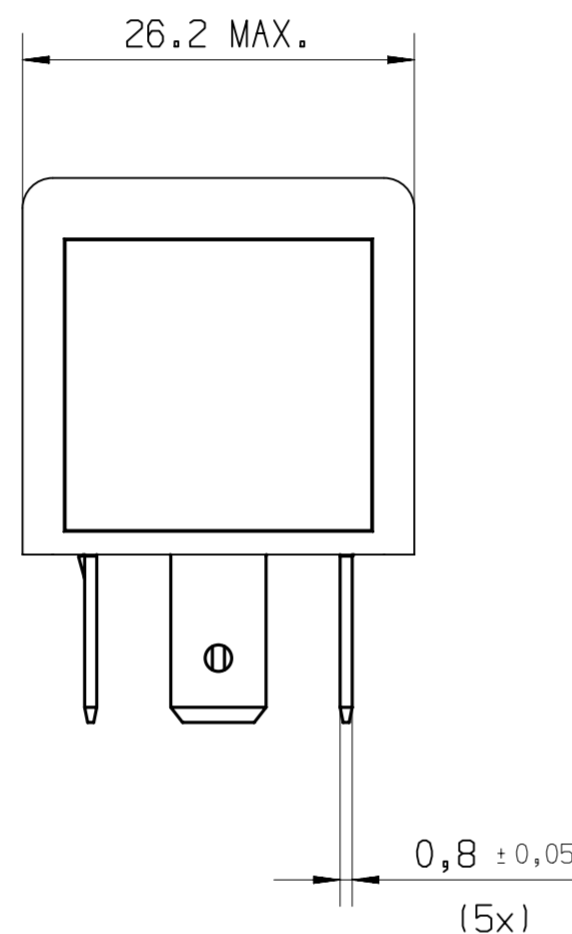
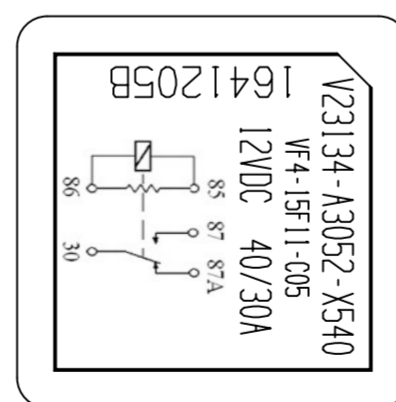


Place for Manufacturing Name (Logo)

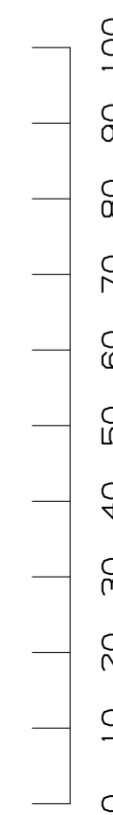


\* TERMINAL LOCATIONS APPLY AT THE BASE OF THE TERMINAL

MARKING WITH INK PRINTED OR INJECTION MOLDED TO INCLUDE: MANUFACTURER'S NAME, MANUFACTURER'S PART NUMBER, SCHEMATIC, COIL VOLTAGE, CONTACT RATING, COUNTRY OF ORIGIN AND DATE CODE



TE P/N	PART NAME
2-1904131-6	V23134-A3052-X540



PROPRIETARY THE REPRODUCTION, TRANSMISSION OR USE OF THIS DOCUMENT OR IT'S CONTENTS IS NOT PERMITTED WITHOUT EXPRESSED WRITTEN AUTHORITY. OFFENDERS WILL BE LIABLE FOR ALL DAMAGES. ALL RIGHTS, INCLUDING RIGHTS CREATED BY REGISTERED PATENT(S) GRANTED FOR A UTILITY MODEL OR DESIGN, ARE RESERVED.		CHANGES TO THIS DRAWING MUST BE DONE ONLY IN CAD	PAPER SIZE <b>A2</b>
APPLICABLE SPEC.:		FINISH	
Replacement for VF4-15F11-C05		DIMENSIONS APPLY	PLATING
TOLERANCE UNLESS SPECIFIED OTHERWISE		SCALE <b>2:1</b>	WEIGHT
DIMENSIONS IN MM		MATERIAL	
DATE NAME DWN. 14NOV2016 L.Sandoval		PART NAME	
APP.		<b>POWER F RELAY CHANGE OVER</b>	
REV.		DWG NO.	
LOCATION PE EVORA		<b>C - V23134-A3052-X540</b>	
A Initial Release 14NOV2016 L.Sand	REV. CHANGE ORDER DATE APP.	CUSTOMER DRAWING	
		SHT. 1 OF 1	

