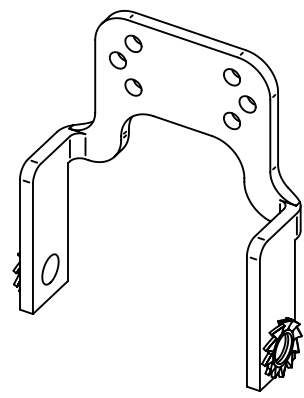
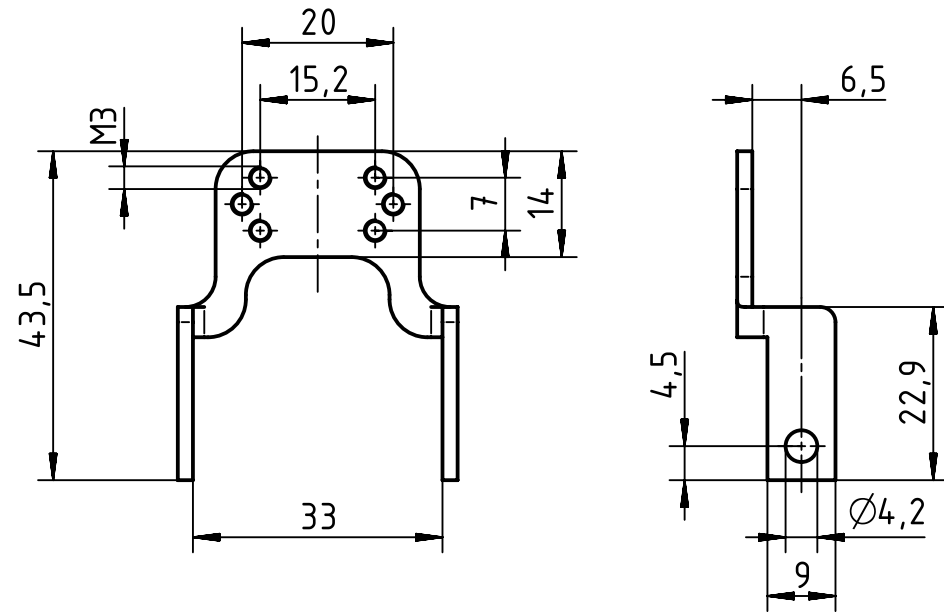


A

B

C

D



fits for Han 6E, 10EE and 24DD inserts  
for combination with Han 6B housings and hoods, high construction

range of delivery: lever with M4 screws and washer to mount on the insert

material: steel, zinc-plated

pinhole image for cable clamp TB 09 00 0005341 and TB 09 00 000 5342

	All rights reserved Department EL PD - DE	All Dimensions in mm Original Size DIN A4		Scale 1:1	Free size tol.		Ref. Sub.		
		HARTING Electric GmbH & Co. KG D-32339 Espelkamp	Created by RULLKOETTER	Inspected by BERGHORN	Standardisation TIEMANNA	Date 2014-12-01	State Final Release		Doc-Key / ECM-Nr. 100132391/UGD/003/A 500000082497
			Title Ground Terminal Size 6B						
			Type TB	Number 09 00 000 5206			Rev. A	Page 1/1	