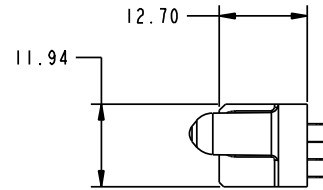
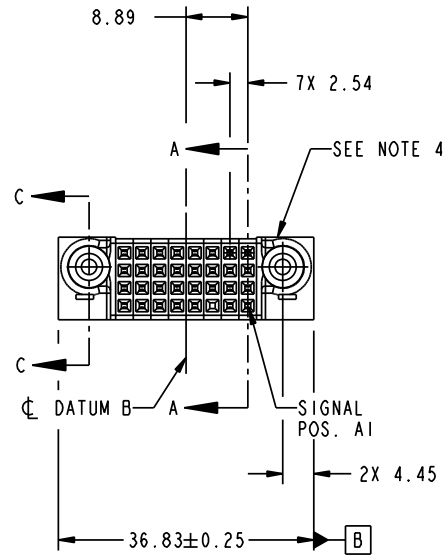


Tous droits strictement réservés. Reproduction ou communication a des tiers interdite sous quelque forme que ce soit sans autorisation écrite du propriétaire. Propriété de c FCI. Droits de reproduction FCI.



All rights strictly reserved. Reproduction or issue to third parties in any form whatever is not permitted without written authority from the proprietor. Property of FCI. Copyright FCI.

PRODUCT NO.	ROWS	SIGNAL									
		E2	8	7	6	5	4	3	2	1	E1
51940-338_ NOTE: 3	D C B A		F	F	F	F	F	F	F	F	
		F	F	F	F	F	F	F	F	F	
		F	F	F	F	F	F	F	F	F	
		F	F	F	F	F	F	F	F	F	



CODE	DIM "M" MATING LENGTH	CONTACT TYPE
F	[N/A]	SIGNAL
X	OMITTED	OMITTED

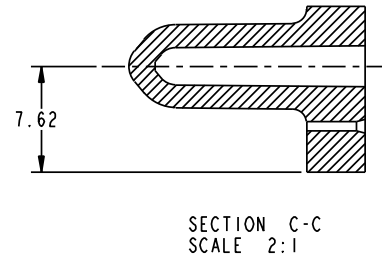
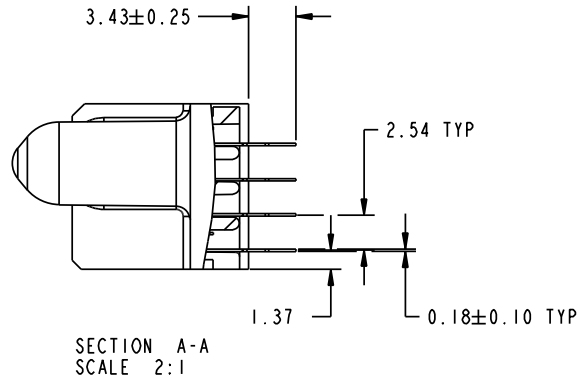
mat'l code				SEE NOTES		tolerances unless otherwise specified		CUSTOMER	
lfr	ecn no.	dr	date	linear	0.X ±0.5	projection		www.fciconnect.com	
A	DG10-0075	JC	24-Feb-10	angles	0.XX ±0.25	MM		title	
				dr	0.XXX ±0.1	1:1		32S	
				enr	0° ±2°	scale		VERTICAL PRESS-FIT RECEPT	
				chr		A		product family	
				appd		A		PwrBlade	
sheet index	revision sheet	A	A	A	A	size		code	
		1	2	3	4	51940-338		213	
						dwg no		sheet	
						51940-338		1 of 4	
						cage code		B	
						22526		4	

Tous droits strictement reserves. Reproduction ou communication a des tiers interdite sous quelque forme que ce soit sans autorisation écrite du propriétaire. Propriete de c FCI. Droits de reproduction FCI.

All rights strictly reserved. Reproduction or issue to third parties in any form whatever is not permitted without written authority from the proprietor. Property of FCI. Copyright FCI.



PRODUCT NUMBER  
51940-338...  
NOTE: 3



mat'l code				tolerances unless otherwise specified		CUSTOMER		FCI		www.fciconnect.com	
lfr	ecn no.	dr	date	linear	0.X ± 0.5	COPY		projection		title	
A					0.XX ± 0.25					32S	
				angles	0.XXX ± 0.1					VERTICAL PRESS-FIT RECEPT	
					0° ± 2°					product family PwrBlade code	
				dr	Jerome Chen 18-Feb-10	MM		size		213	
				engr	Jerome Chen 18-Feb-10	scale		A		sheet	
				chr	PM Zheng 18-Feb-10	1:1		51940-338		2 of 4	
				appd	Joseph Hsia 18-Feb-10						
sheet index	revision sheet										



size A

cage code 22526

Pro/E

PDM: Rev:A

STATUS: Released

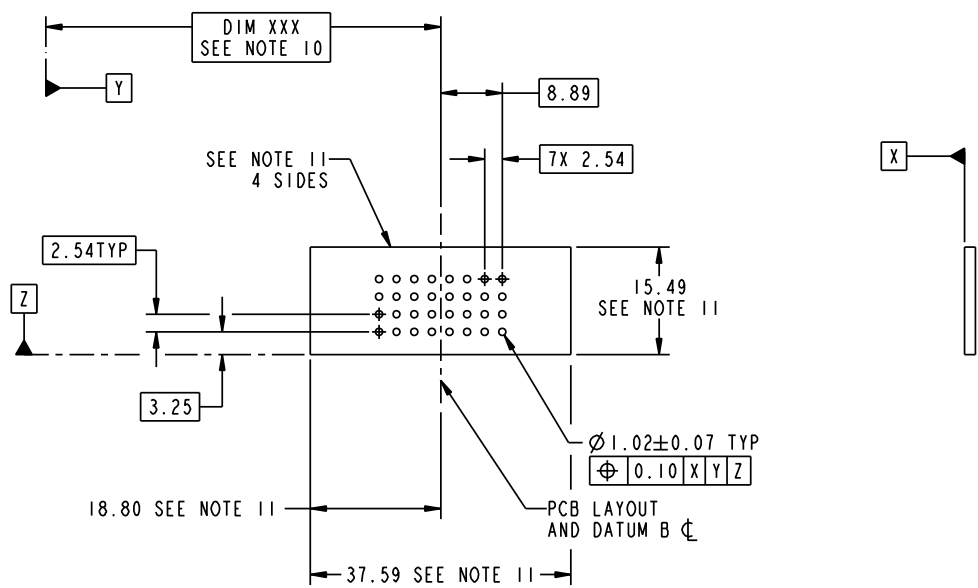
Printed: Dec 20, 2010

Tous droits strictement réservés. Reproduction ou communication o des liens interdite sous quelque forme que ce soit sans autorisation écrite du propriétaire. Propriete de c FCI. Droits de reproduction FCI.



All rights strictly reserved. Reproduction or issue to third parties in any form whatever is not permitted without written authority from the proprietor. Property of FCI. Copyright FCI.

PRODUCT NUMBER  
51940-338...  
NOTE: 3



RECOMMENDED PCB LAYOUT

mat'l code				tolerances unless otherwise specified		CUSTOMER		FCI		www.fciconnect.com	
lfr	ecn no.	dr	date	linear	0.X ± 0.5	COPY		projection		title	
A					0.XX ± 0.25			MM		32S	
				angles	0.XXX ± 0.1			1:1		VERTICAL PRESS-FIT RECEPT	
				dr	0° ± 2°					product family PwrBlade code	
				enr	Jerome Chen 18-Feb-10					213	
				chr	Jerome Chen 18-Feb-10					sheet	
				appd	PM Zheng 18-Feb-10					3 of 4	
					Joseph Hsiao 18-Feb-10					cage code	
sheet index	revision sheet									22526	

Pro/E

PDM: Rev:A

STATUS: Released

Printed: Dec 20, 2010

Tous droits strictement réservés. Reproduction ou communication o des liens interdite sous quelque forme que ce soit sans autorisation écrite du propriétaire. Propriete de c FCI. Droits de reproduction FCI.



All rights strictly reserved. Reproduction or issue to third parties in any form whatever is not permitted without written authority from the proprietor. Property of FCI. Copyright FCI.

PRODUCT NUMBER  
51940-338..  
NOTE: 3

NOTES:

1. DIMENSIONS AND TOLERANCES ARE IN ACCORDANCE WITH ASME Y14.5M, 1994 UNLESS OTHERWISE SPECIFIED.

CONNECTOR NOTES:

- ② HOUSING MATERIAL: UL 94 V-0 GLASS FILLED HIGH-TEMP THERMOPLASTIC  
POWER CONTACT MATERIAL: COPPER ALLOY  
SIGNAL PIN MATERIAL: COPPER ALLOY
- 3. PLATING SPEC.  
51940-338, 51940-338LF PLATING SPEC. WAS SHOWN IN THE PRINT OF 10064183.
- ④ MANUFACTURER'S NAME, DATE CODE AND OPTIONAL P/N TO APPEAR ON THIS SURFACE. THE P/N CAN BE OMITTED IF THERE IS NOT ENOUGH SPACE ON THIS SURFACE.
- 5. PRODUCT SPECIFICATION GS-12-149.  
APPLICATION SPECIFICATION BUS-20-067.
- 6. PACKAGED IN TRAYS.

PCB NOTES:

- 7. ALL HOLE DIAMETERS ARE FINISHED HOLE SIZE.
- ⑧ MOUNTING HOLES, WHERE APPLICABLE, ARE UNPLATED.
- ⑨  $\varnothing 1.151 \pm 0.025$  DRILLED HOLES PLATED WITH  
0.008 MIN SnPb OR Sn OVER 0.03  
TO 0.08 Cu PLATING TO ACHIEVE  
 $\varnothing 1.02 \pm 0.07$  HOLE.
- ⑩ "DIM XXX" TO BE DETERMINED BY THE CUSTOMER.
- ⑪ CONNECTOR KEEP-OUT ZONE.
- 12. THE VOID CORING IN BETWEEN POWER MODULES, SIGNAL MODULES AND END MODULES ARE OPTIONAL AND THE SHAPE MAY BE DIFFERENT FOR OPTIMIZE THE MOLDING PROCESS. THE VOID CORING WILL NOT EFFECT TO PRODUCT FUNCTION.

mat'l code				tolerances unless otherwise specified				CUSTOMER		FCI		www.fciconnect.com		
ltr	ecn no.	dr	date	linear	0.X ± 0.5	COPY		projection		title		32S		
A					0.XX ± 0.25					VERTICAL PRESS-FIT RECEPT				
				angles	0° ± 2°					product family		PwrBlade		
				dr	Jerome Chen	18-Feb-10			size		dwg no		213	
				engr	Jerome Chen	18-Feb-10			A		51940-338		sheet	
				chr	PM Zheng	18-Feb-10	scale		1:1				4 of 4	
				appd	Joseph Hsiao	18-Feb-10								
sheet index	revision sheet													

Pro/E

cage code 22526

PDM: Rev:A

STATUS: Released

Printed: Dec 20, 2010