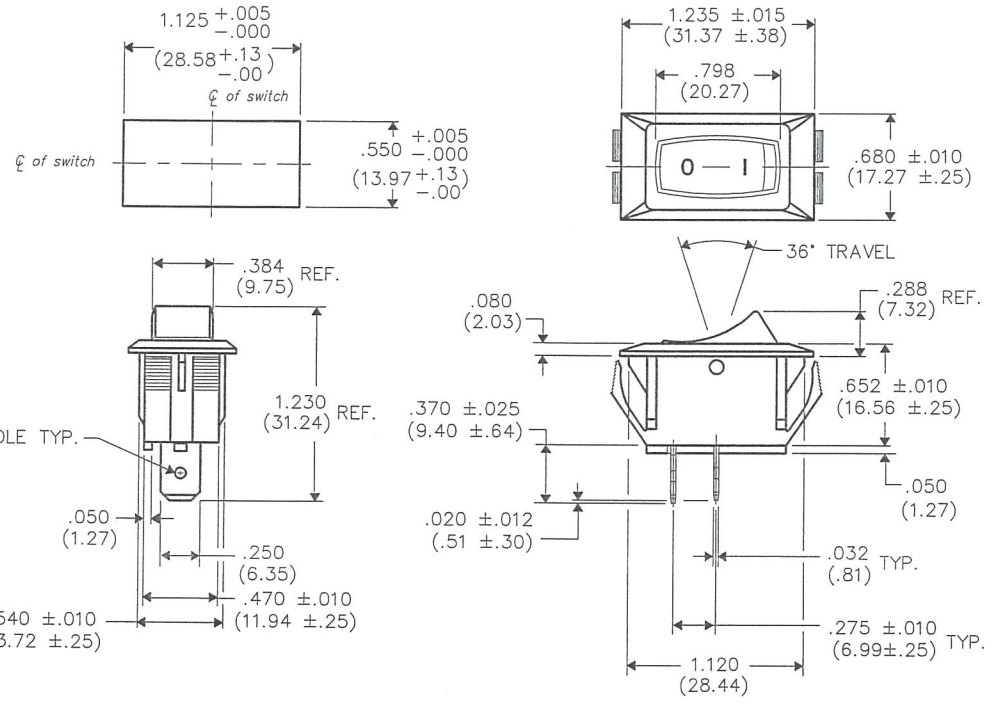


THIS INFORMATION IS CONFIDENTIAL AND PROPRIETARY TO CW INDUSTRIES INCORPORATED AND ITS AFFILIATES. IT MAY NOT BE DISCLOSED TO ANYONE, OTHER THAN CW INDUSTRIES PERSONNEL, WITHOUT WRITTEN AUTHORIZATION FROM CW INDUSTRIES INCORPORATED, SOUTHAMPTON, PENNSYLVANIA USA.

DIMENSIONS IN INCHES (MILLIMETERS)
DO NOT SCALE DRAWING Dwg. No. **GRS-2011-2091**

PANEL PIERCING



SWITCH COLOR - Black
LEGEND COLOR - White

SWITCH RATINGS:

UL & CSA
16A. 125VAC 12A. 250VAC
3/4 H.P. 125-250 VAC 10A. 14V (T)
VDE
12(6)A. 250V ~ T85°

B-FORMAT 2002
REVISIONS
1
REDRAWN.
REMOVED MATERIALS &
HOT STAMP DETAIL. UPDATED
NOTES.
DGW 7-01-13
JUL 19 2013

1 2 3 4 5 6 7 8 9 10

CW INDUSTRIES Southampton, Pa. 18966		Title: ASSEMBLY DRAWING	
TOLERANCES UNLESS OTHERWISE SPECIFIED		S.P.S.T. ROCKER SWITCH	
2 Place Decimal ±.010	METRIC	NON - POLARIZED	
3 Place Decimal ±.005	1 Place Dec. ±.25mm	1.125" x .550" PANEL	
Angles ±1°	2 Place Dec. ±.13mm	Division: SWITCH	
Made for: CW IND.	Dwg. No. GRS-2011-2091		
Drawn by: DGW 7-01-13	Approval: <i>G. Guld 7-8-13</i>		

MASTER