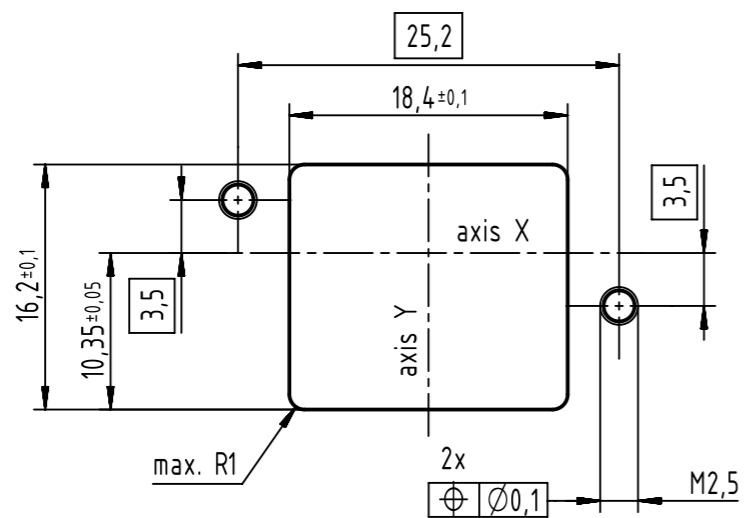
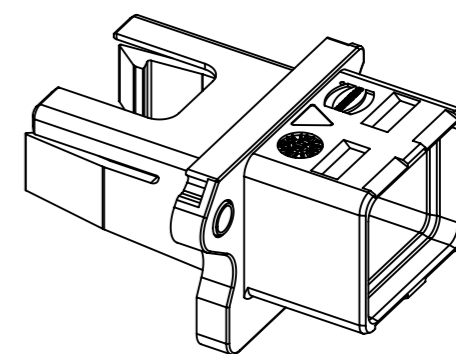
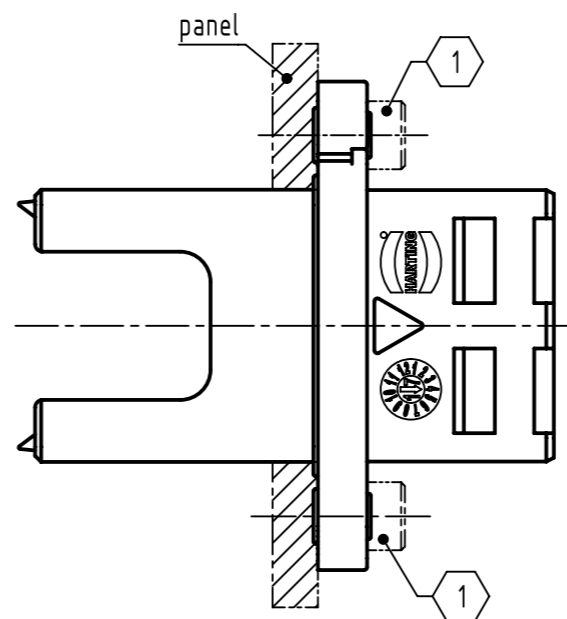


panel cutting



connector pitch on panel:
axis X = 27mm and axis Y = 21mm

panel thickness = max. 5.5mm



1 2x M2.5; screws acc. to ISO 4762;
please order separately; bolting torque 0.3Nm - 0.5Nm

	All rights reserved Department EC PD - DE HARTING Electronics GmbH D-32339 Espelkamp	All Dimensions in mm Original Size DIN A3		Scale 2:1	Free size tol.	Ref. Sub.
		Created by HASELOH	Inspected by LUECKEMEIERM	Standardisation HOFFMANN	Date 2017-04-04	State Final Release
Title HARTING PushPull V4 Compact Housing Power					Doc-Key / ECM-Nr. 100626924/UGD/003/B 500000117442	
Type TB		Number 09455450042		Rev. B	Page 1/1	