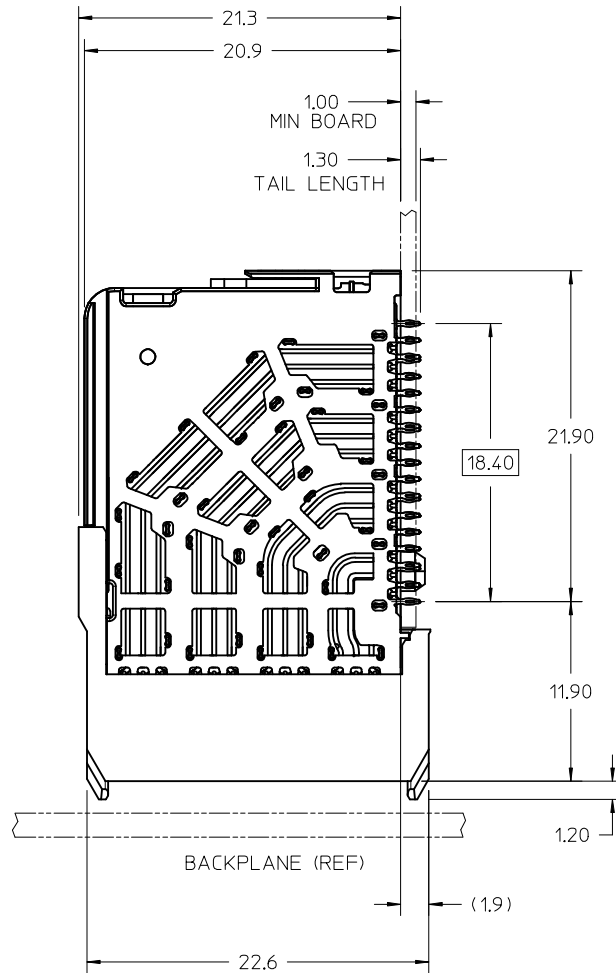
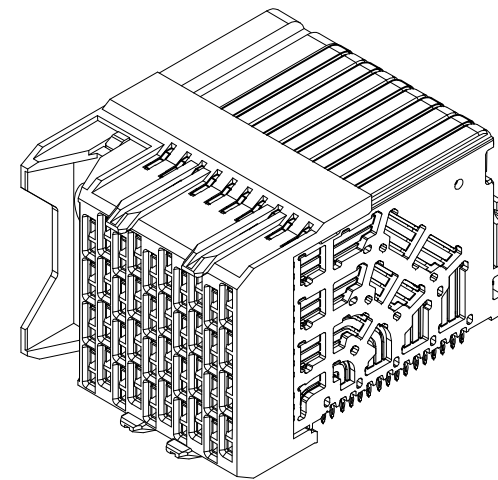


KEY SHOWN IN POSITION "A"



NOTES:

1. MATERIALS: HOUSING - LIQUID CRYSTAL POLYMER (LCP)
GLASS-FILLED, UL94V-0
TERMINALS - HIGH PERFORMANCE COPPER ALLOY
2. FINISH: 30uIN GOLD IN CONTACT AREA.
SELECTIVE TIN ON PCB TAILS.
NICKEL OVERALL.
3. REFER TO MOLEX PRODUCT SPECIFICATION PS-171320-999 FOR PERFORMANCE SPECIFICATIONS.
4. THIS PART CONFORMS TO CLASS B REQUIREMENTS OF MOLEX COSMETIC SPEC PS-45499-002.
5. PRODUCT WILL BE PACKAGED PER PK-78888-085.
6. SEE SHEET 2 FOR HOLE PATTERN DIMENSIONS.
7. MATES WITH IMPEL BP SERIES NUMBER 171315.
8. REFER TO IMPEL PCB ROUTING GUIDE AS-171320-990 FOR ANTIPAD, ROUTING RECOMMENDATIONS, AND ADDITIONAL PCB INFORMATION.
9. WHEN STACKING MODULES END TO END, THE MINIMUM COLUMN TO COLUMN HOLE SPACING IS 2.65mm.
10. WHEN USING THE SUPPLIED 2-32 THREAD FORMING SCREW (P/N 73726-0000), THE MAXIMUM RECOMMENDED BOARD THICKNESS IS 4.4mm.



ADD 4P×14C EC NO: UCP2017-1783 DRWN:CYLJAW 2017/02/13 CHKD: APPR:SHLENI 2017/02/28 REV: A1	QUALITY SYMBOLS	GENERAL TOLERANCES (UNLESS SPECIFIED)	DIMENSION STYLE MM ONLY	SCALE 4:1	DESIGN UNITS METRIC	THIRD ANGLE PROJECTION
	▽ = 0	4 PLACES ± --- ± ---	mm INCH	DRAWN BY JLAURX	DATE 2012/11/19	TITLE IMPEL DAUGHTERCARD ASSY 4 PAIR - 1.9MM PITCH GUIDE LEFT SALES DWG
	▽ = 0	3 PLACES ± --- ± ---		CHECKED BY	DATE	molex DOCUMENT NO. SD-171320-0002
	▽ = 0	2 PLACES ± 0.13 ± ---		APPROVED BY JB INGHAM	DATE 2014/06/06	
		1 PLACE ± 0.25 ± ---		SEE CHART		
		0 PLACE ± --- ± ---		MATERIAL NO.		
		ANGULAR ±1/2°		SIZE C		
		DRAFT WHERE APPLICABLE MUST REMAIN WITHIN DIMENSIONS	THIS DRAWING CONTAINS INFORMATION THAT IS PROPRIETARY TO MOLEX INCORPORATED AND SHOULD NOT BE USED WITHOUT WRITTEN PERMISSION			

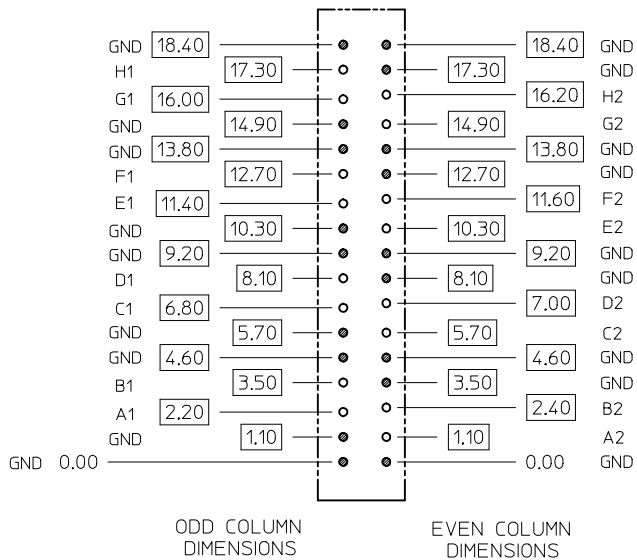
MATERIAL NUMBER	NUMBER OF COLUMNS	NUMBER OF DIFF PAIR	DIM "A"	DIM "B"
171320-3*36	6	24	19.60 MAX	9.50
171320-3*38	8	32	23.40 MAX	13.30
171320-3*20	10	40	27.20 MAX	17.10
171320-3*22	12	48	31.00 MAX	20.90
171320-3*24	14	56	34.80 MAX	24.70
171320-3*26	16	64	38.60 MAX	28.50

171320-3***

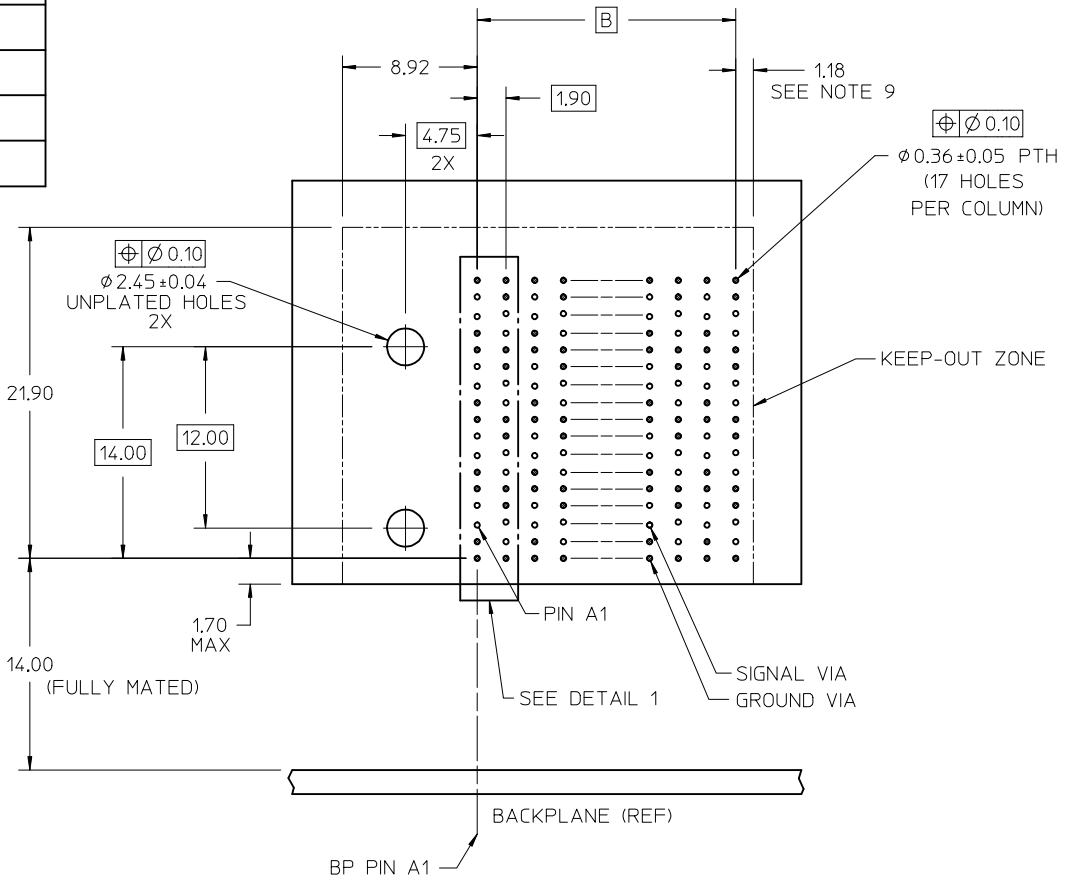
MODULE TYPE
3 = GUIDE LEFT

KEY ORIENTATION
0 = NO KEY
1 = A 5 = E
2 = B 6 = F
3 = C 7 = G
4 = D 8 = H

COLUMN SIZE
36 = 6 COLUMN
38 = 8 COLUMN
20 = 10 COLUMN
22 = 12 COLUMN
24 = 14 COLUMN
26 = 16 COLUMN



DETAIL 1
SCALE 6:1



SEE SHEET 1 EC NO: UCP2017-1783 DRW: CYLAW 2017/02/13 CHKD: APPR: SHLENI 2017/02/28 REV: A1	QUALITY SYMBOLS	GENERAL TOLERANCES (UNLESS SPECIFIED)	DIMENSION STYLE MM ONLY	SCALE 4:1	DESIGN UNITS METRIC	THIRD ANGLE PROJECTION
	$\nabla = 0$	mm INCH	DRAWN BY DATE JLAURX 2012/11/19	TITLE IMPEL DAUGHTERCARD ASSY	molex SD-171320-0002	SHEET NO. 2 OF 2
	$\nabla = 0$	4 PLACES \pm --- \pm ---	CHECKED BY DATE	4 PAIR - 1.9MM PITCH GUIDE LEFT SALES DWG		
	$\nabla = 0$	3 PLACES \pm --- \pm ---	APPROVED BY DATE JB INGHAM 2014/06/06	DOCUMENT NO.		
	2 PLACES ± 0.13 \pm ---	MATERIAL NO.	SEE CHART			
	1 PLACE ± 0.25 \pm ---	ANGULAR $\pm 1/2^\circ$	SIZE C	THIS DRAWING CONTAINS INFORMATION THAT IS PROPRIETARY TO MOLEX INCORPORATED AND SHOULD NOT BE USED WITHOUT WRITTEN PERMISSION		
	0 PLACE \pm --- \pm ---	DRAFT WHERE APPLICABLE MUST REMAIN WITHIN DIMENSIONS				