

THIS DRAWING IS UNPUBLISHED. RELEASED FOR PUBLICATION

© COPYRIGHT - By Tyco Electronics Japan G.K.

ALL RIGHTS RESERVED.

LOC	DIST	REVISIONS					
		P	LTR	DESCRIPTION	DATE	DWN	APVD
—	—	A		REVISED	27JUN2012	H.M	N.Y
—	—	B		REVISED	17APR2015	H.O	N.Y

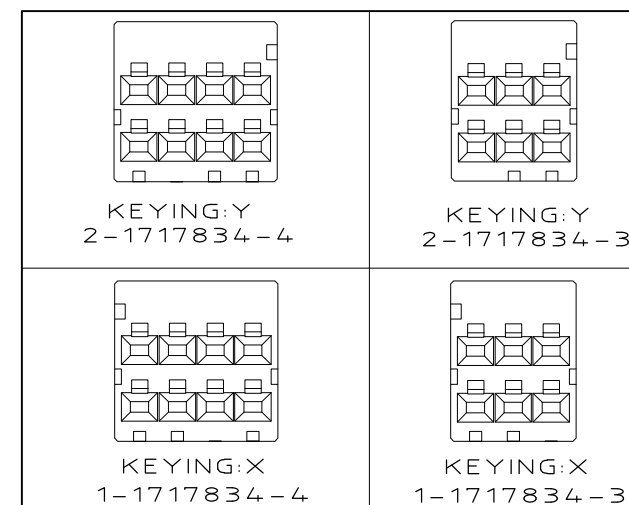
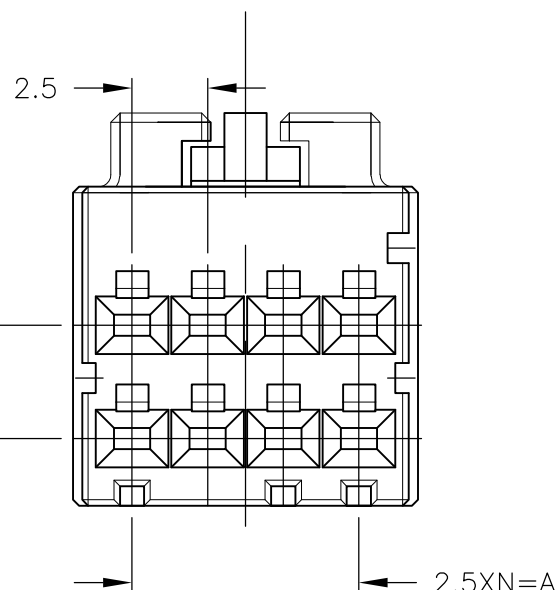
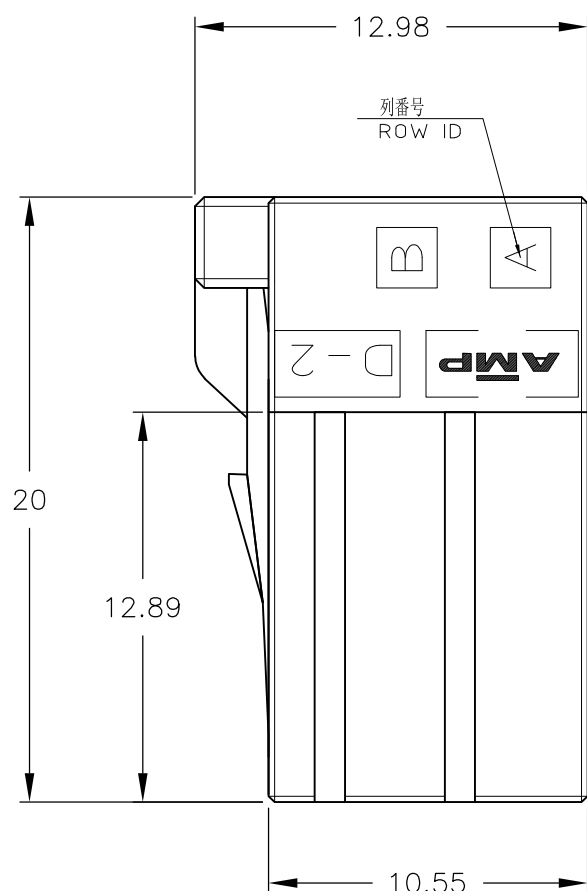
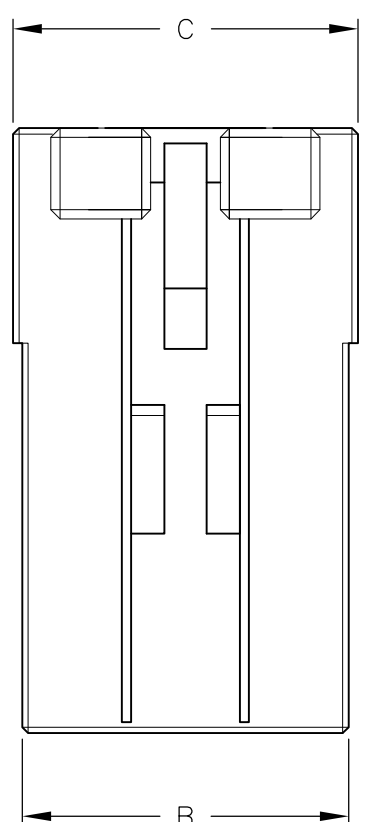
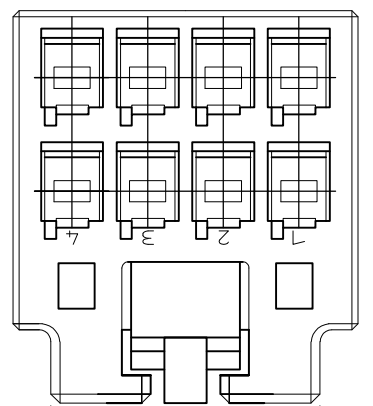
注記

① 材料: ハウジング: ガラス入り熱可塑性ポリエステル樹脂(94V-0), 色: 黒

NOTES

① MATERIAL: HOUSING: GLASS FILED THERMO PLASTIC, POLYESTER(94V-0), COLOR: BLACK

8.9 (LOCK PROTECTION WIDTH)



—	11.4	10.8	7.5	3	8	2-1717834-4
—	11.4	10.8	7.5	3	8	1-1717834-4
—	8.9	8.3	5	2	6	2-1717834-3
—	8.9	8.3	5	2	6	1-1717834-3
FINISH	C	B	A	N	POS	PART NUMBER

THIS DRAWING IS A CONTROLLED DOCUMENT.

DIMENSIONS:	TOLERANCES UNLESS OTHERWISE SPECIFIED:
mm	
	0 PLC ± 10 ± 0.3
	1 PLC ± 30 ± 0.35
	2 PLC ± 100 ± 0.4
	3 PLC ±
	4 PLC ± 3°
	ANGLES ± 3°

MATERIAL FINISH

DWN	T.SAKAMOTO	15OCT2003
CHK	D.MITSUGI	15OCT2003
APVD	S.MANABE	15OCT2003
PRODUCT SPEC	108-5619	
APPLICATION SPEC	114-5258	
WEIGHT	CUSTOMER DRAWING	



DOUBLE ROW REC HSG WITH CUTTING OUT LOCK LEVER DYNAMIC D-2100

SIZE	CAGE CODE	DRAWING NO	RESTRICTED TO
A3	00779	C-1717834	—

SCALE 4:1 SHEET 1 OF 1 REV B