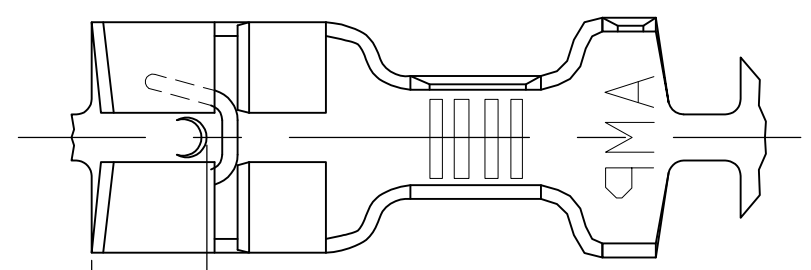


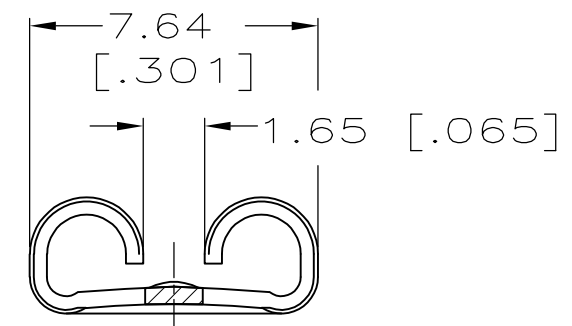
THIS DRAWING IS UNPUBLISHED. RELEASED FOR PUBLICATION
 © COPYRIGHT - By - ALL RIGHTS RESERVED.

LOC	DIST	REVISIONS					
AF	50	P	LTR	DESCRIPTION	DATE	DWN	APVD
		D		REVISED PER ECR-12-013518	24NOV12	KH	PD

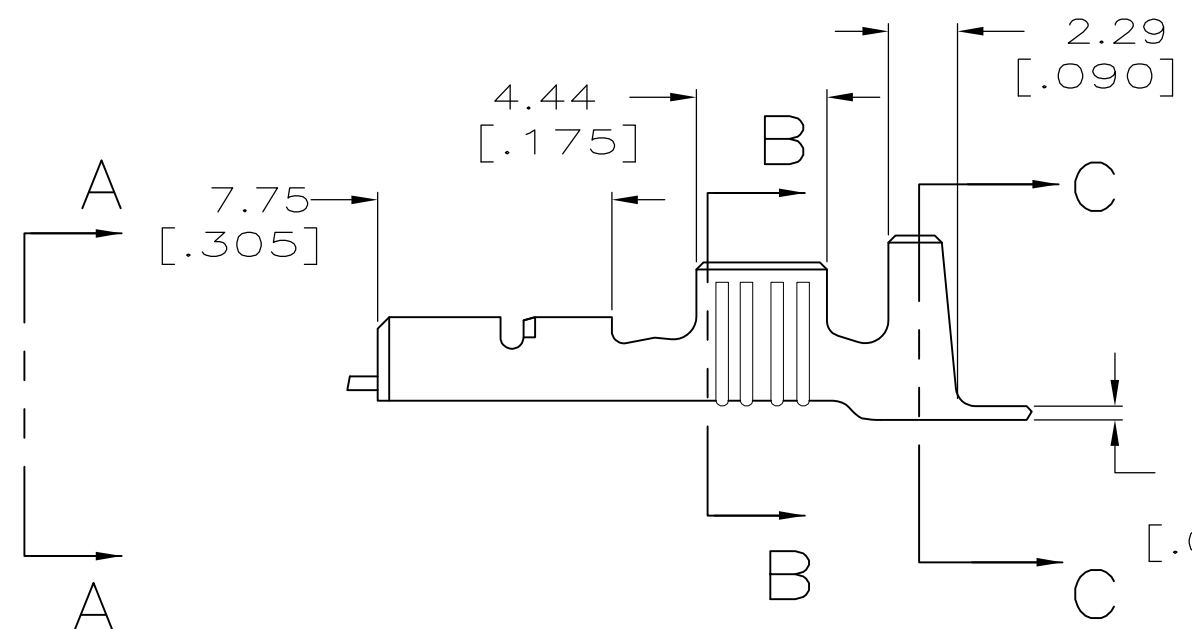
1 CONTINUOUS STRIP ON REELS



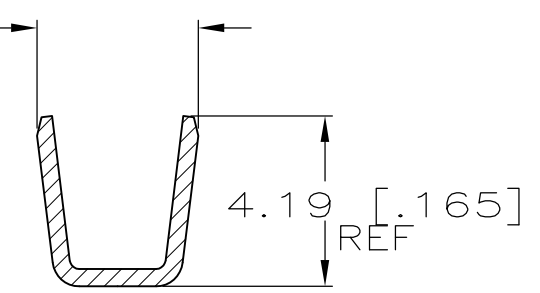
3.81
[.150]



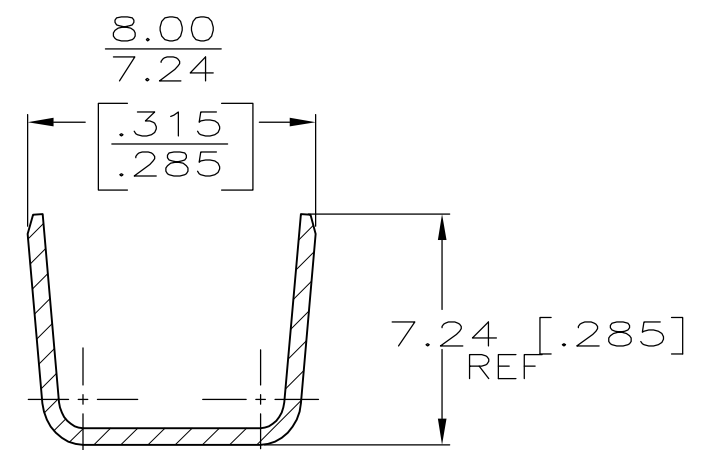
VIEW A-A
SCALE 5:1



4.57 [.180]
3.94 [.155]



SECTION B-B
SCALE 5:1



SECTION C-C
SCALE 5:1

5.33-6.73 OR TWO 3.05 MAX [.210-.265 OR TWO .120 MAX]	1.3-3mm ² OR TWO 0.8mm ² [16-12 OR TWO #18]	0.81 [.032]	63800-1
INSUL RANGE	WIRE SIZE	MATING TAB THK ±0.025 [.001]	PART NO

THIS DRAWING IS A CONTROLLED DOCUMENT.		DWN JR RUTH 8/24/94	TE Connectivity RECPT, FASTON, LOW-INSERTION, .250 SERIES		
DIMENSIONS: mm [INCHES]		CHK MS FEHER 8/24/94			NAME
TOLERANCES UNLESS OTHERWISE SPECIFIED:		APVD P DESANTIS 8/24/94			PRODUCT SPEC
0 PLC ± - 1 PLC ± - 2 PLC ± 0.25 [.010] 3 PLC ± - 4 PLC ± - ANGLES ± -		APPLICATION SPEC			SIZE
MATERIAL BRASS	FINISH TIN	114-2036	CAGE CODE A300779	DRAWING NO C-63800	RESTRICTED TO
CUSTOMER DRAWING			SCALE 4:1	SHEET 1 OF 1	REV D