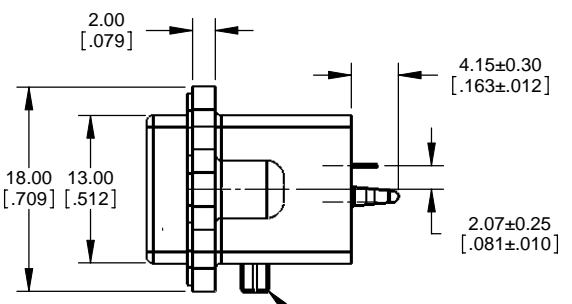
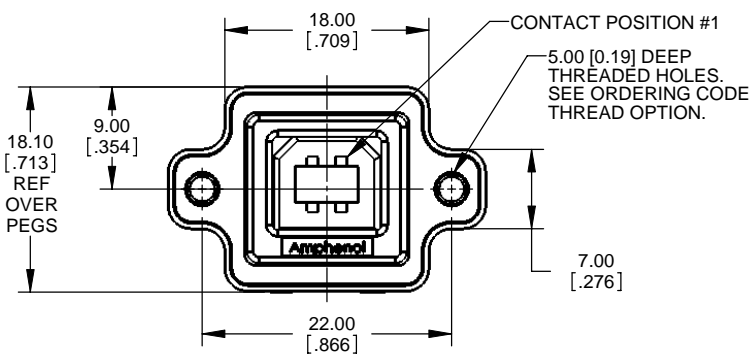


| REVISIONS | | | |
|-----------|-----------------------------------|----------|-------|
| REV | DESCRIPTION, ECN, EAR NO. | DATE | APP'D |
| D | PRODUCT DRAWING (EAR 13700/13725) | JUN04/10 | K.L |



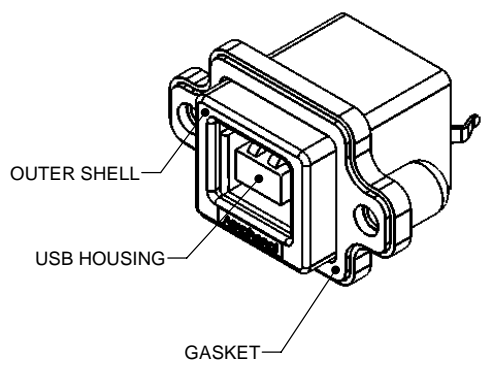
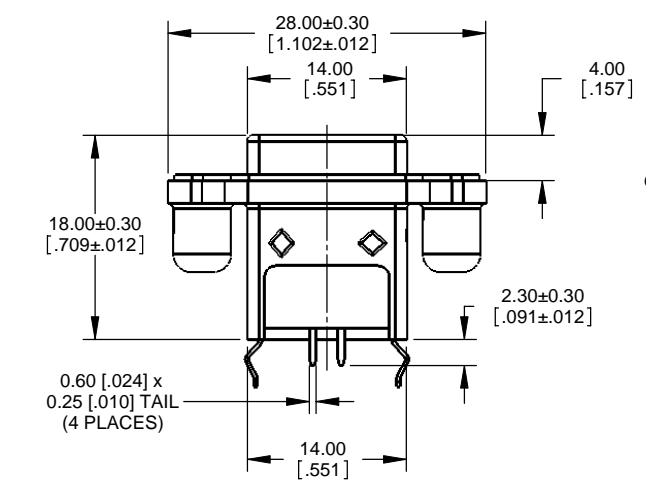
ORDERING CODE: M U S B - D 5 1 1 - X X

SERIES, RUGGED USB

USB SERIES 'B' RECEPTACLE, VERTICAL, PCB TAIL

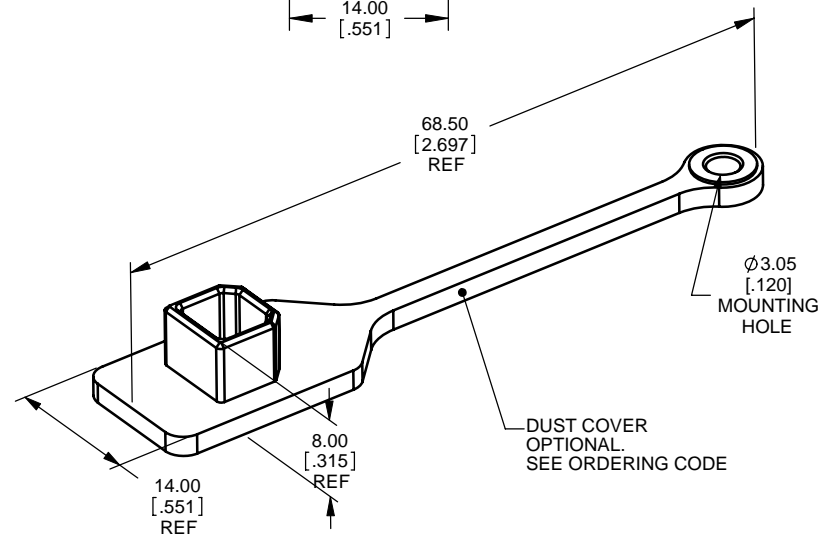
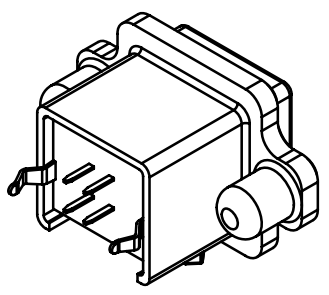
THREAD OPTION
 0=#4-40 UNC THREAD
 N=M3 x 0.5 THREAD

DUST COVER OPTION
 0=NO DUST COVER SUPPLIED
 1=WITH GREY DUST COVER SUPPLIED
 5=WITH BLACK DUST COVER SUPPLIED



NOTES:

- MATERIAL:
 ALL MATERIALS ARE RoHS COMPLIANT PER EU DIRECTIVE 2002/95/EC AND AMENDMENTS
 - SHELL - DIECAST ZINC, NICKEL PLATED
 - CONTACTS - COPPER ALLOY WITH 30 MICROINCHES (0.76 MICRONS) GOLD OVER 50 MICROINCHES (1.27 MICRONS) MINIMUM NICKEL ON THE MATING AREA AND TIN ON THE CONTACT TAILS.
 - INSERTS - ENGINEERING THERMOPLASTIC, UL FLAMMABILITY RATING 94V-0, COLOUR: WHITE
 - GASKET - SILICONE RUBBER
 - DUST COVER - SILICONE RUBBER WITH NICKEL PLATED, COPPER ALLOY BUSHING
- ENVIRONMENTAL PERFORMANCE PER IEC 60529 CODE IP67 FOR SEAL BETWEEN MATING AREA AND PCB SIDE OF CONNECTOR. GASKET PROVIDES SEAL TO INSIDE FACE OF PANEL.
- CURRENT RATING: 1.5 AMPERES
- CONTACT RESISTANCE: 30 MILLIOHMS MAXIMUM
- OPERATING TEMPERATURE: -40C TO +105C
- DUST COVERS MAY BE ORDERED SEPARATELY. SPECIFY
 - MUSB-2D11-004BP FOR GREY DUST COVER
 - MUSB-2D11-014BP FOR BLACK DUST COVER
 SEE SHEET 2 FOR APPLICATION VIEW



| | | | |
|----------------------------|------------------------|-----------|----------|
| UNLESS SPECIFIED OTHERWISE | DRAWN | A.DODDS | JUL19/07 |
| PRIMARY UNITS MILLIMETERS | CHECKED | K.LAMBIE | JUL20/07 |
| SECONDARY MILLIMETERS | M.E. APP'D | | |
| REFERENCE IN PARENTHESES | Q.A. APP'D | | |
| GENERAL TOLERANCES | DWG APPR. | | |
| 1 DECIMAL PLACE | ENG. REL. NO. | EAR 13139 | |
| 2 DECIMAL PLACES ±0.20 | REF. | | |
| 3 DECIMAL PLACES | THIRD ANGLE PROJECTION | | |
| ANGULAR DEGREES | DO NOT SCALE DRAWING | | |

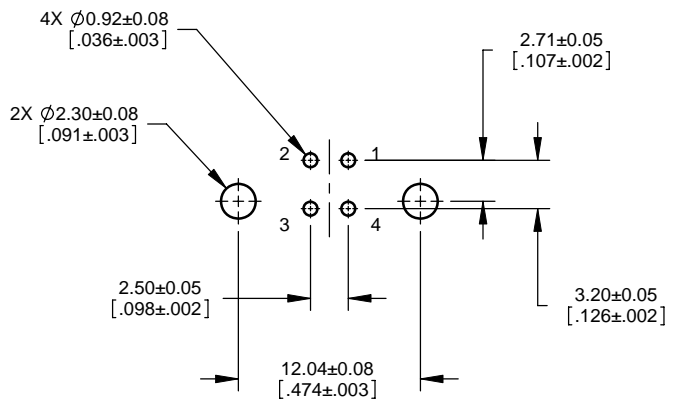
Amphenol Canada Corp.

MUSB SERIES RUGGED USB RECEPTACLE, SERIES 'B' INTERFACE, VERTICAL PCB MOUNT, RoHS COMPLIANT

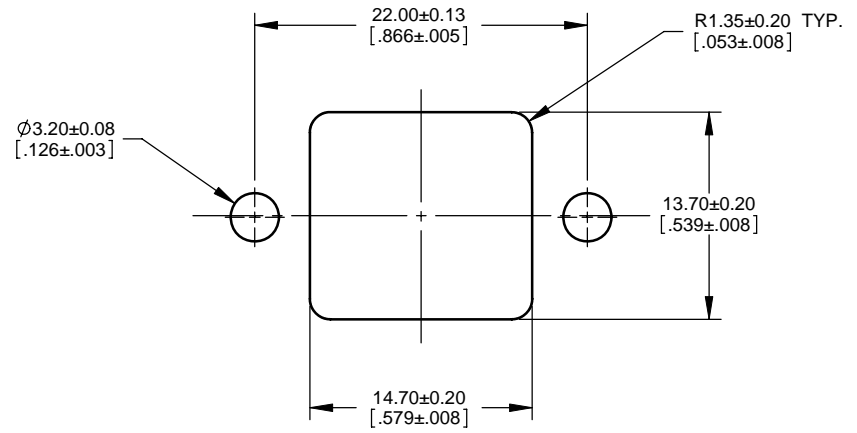
DWG. NO. P-MUSB-D511-XX REV D

CODE ID NO. 03554 DWG SIZE: C SCALE: 3:1 SHEET 1 OF 2

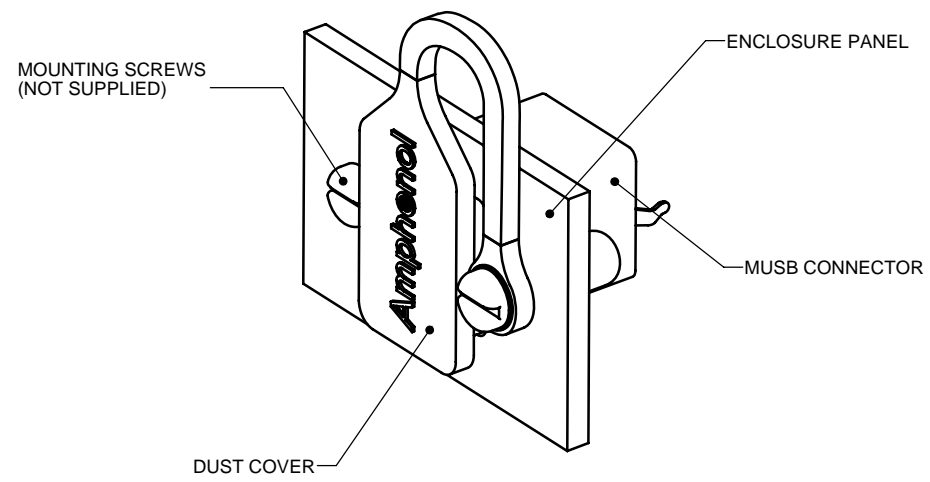
| REVISIONS | | | |
|-----------|-----------------------------------|----------|-------|
| REV | DESCRIPTION, ECN, EAR NO. | DATE | APP'D |
| D | PRODUCT DRAWING (EAR 13700/13725) | JUN04/10 | KL |



RECOMMENDED P.C.B. LAYOUT
(COMPONENT SIDE OF BOARD)



RECOMMENDED PANEL CUTOUT



DUST COVER APPLICATION
SCALE 3:1



| | | | |
|----------------------------|------------------------|-----------|----------|
| UNLESS SPECIFIED OTHERWISE | DRAWN | A.DODDS | JUL19/07 |
| PRIMARY UNITS MILLIMETERS | CHECKED | K.LAMBIE | JUL20/07 |
| SECONDARY INCHES | M.E. APP'D | | |
| REFERENCE IN PARENTHESES | Q.A. APP'D | | |
| GENERAL TOLERANCES | DWG APPR. | | |
| 1 DECIMAL PLACE | ENG. REL. NO. | EAR 13139 | |
| 2 DECIMAL PLACES ±0.20 | REF. | | |
| 3 DECIMAL PLACES | THIRD ANGLE PROJECTION | | |
| ANGULAR DEGREES | DO NOT SCALE DRAWING | | |

| | |
|---|--------------|
| Amphenol Canada Corp. | |
| MUSB SERIES RUGGED USB RECEPTACLE, SERIES 'B' INTERFACE, VERTICAL PCB MOUNT, RoHS COMPLIANT | |
| DWG. NO. | REV D |
| P-MUSB-D511-XX | |
| CODE ID NO. 03554 | DWG SIZE: C |
| SCALE: 4:1 | SHEET 2 OF 2 |

THIS DOCUMENT CONTAINS PROPRIETARY INFORMATION AND SUCH INFORMATION MAY NOT BE DISCLOSED TO OTHERS FOR ANY PURPOSE OR USED FOR MANUFACTURING PURPOSES WITHOUT WRITTEN PERMISSION FROM AMPHENOL CANADA CORP.