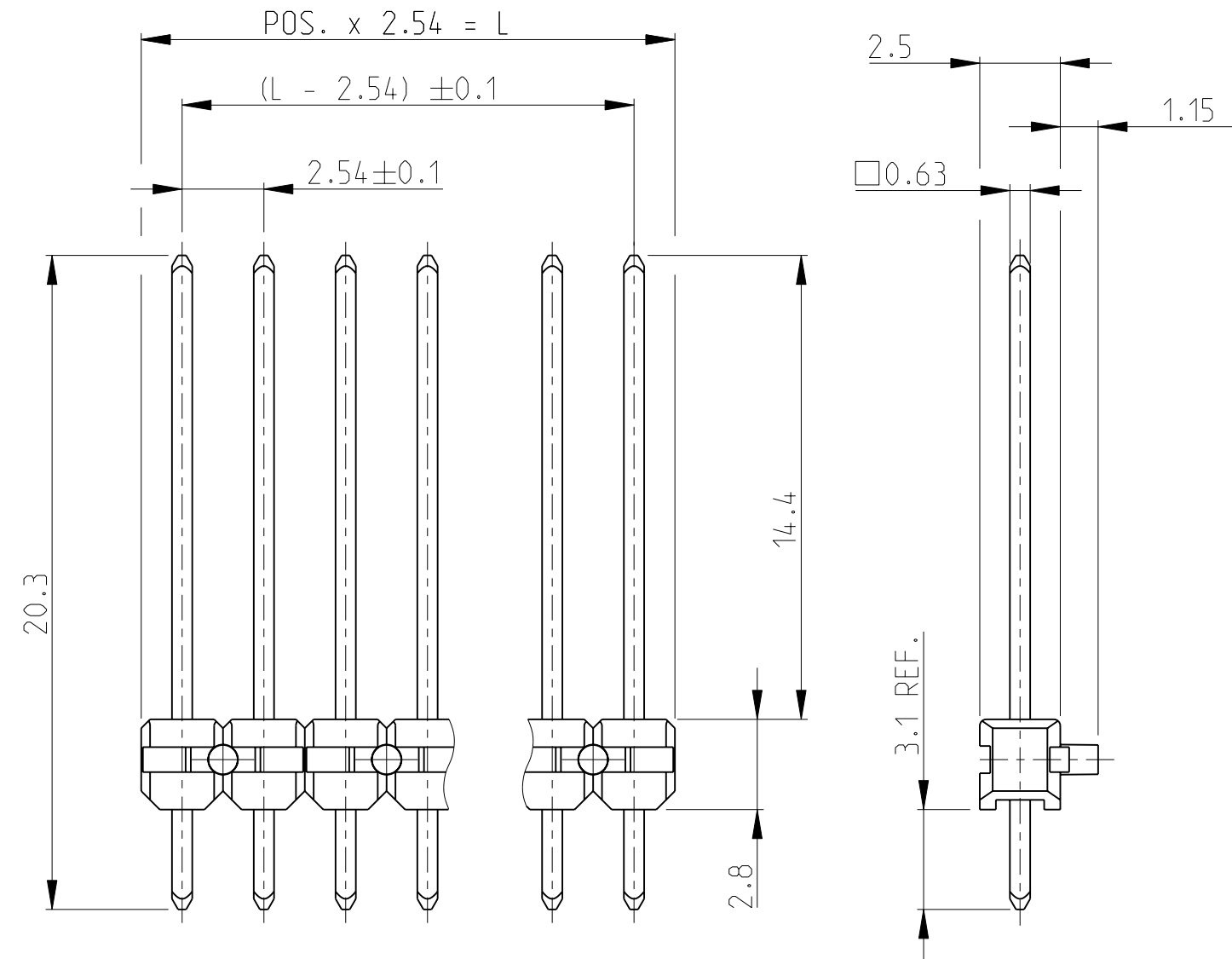


THIS DRAWING IS UNPUBLISHED. RELEASED FOR PUBLICATION 2006  
 © COPYRIGHT 2006 ALL RIGHTS RESERVED.

LOC	DIST	REVISIONS			
P	LTR	DESCRIPTION	DATE	DWN	APVD
	T2	REVISED PER ECO-09-025714	15DEC09	KK	AEG
	T3	REVISED PER ECR-10-022530	03MAY2011	KK	HMR

POS. PER ROW	L ±0.4	PART - NO.	POS. PER ROW	L ±0.4	PART - NO.
-	-	-	26	66.04	2-825 492-6
2	5.08	825 492-2	27	68.58	2-7
3	7.62	3	28	71.12	2-8
4	10.16	4	29	73.66	2-9
5	12.70	5	30	76.20	3-0
6	15.24	6	31	78.74	3-1
7	17.78	7	32	81.28	3-2
8	20.32	8	33	83.82	3-3
9	22.86	9	34	86.36	3-4
10	25.40	1-0	35	88.90	3-5
11	27.94	1-1	36	91.44	3-6
12	30.48	1-2	37	93.98	3-7
13	33.02	1-3	38	96.52	3-8
14	35.56	1-4	39	99.06	3-9
15	38.10	1-5	40	101.60	4-0
16	40.64	1-6	41	104.14	4-1
17	43.18	1-7	42	106.68	4-2
18	45.72	1-8	43	109.22	4-3
19	48.26	1-9	44	111.76	4-4
20	50.80	2-0	45	114.30	4-5
21	53.34	2-1	46	116.84	4-6
22	55.88	2-2	47	119.38	4-7
23	58.42	2-3	48	121.92	4-8
24	60.96	2-4	49	124.46	4-9
25	63.50	2-825 492-5	50	127.00	5-825 492-0

OBSOLETE



- 1 0.8 μm GOLD OVER NICKEL (PRE GOLD PLATED)
- 2 OBSOLETE PARTS: OBSOLETE C IS STREAMLINING PER D.RENAUD/D.SINISI
- 3 OBSOLETE

1	Cu Sn	CONTACT PIN KONTAKTSTIFT
COLOUR GREEN	PBT GV	PINHOUSING STIFTGEHAEUSE
REMARK	MATERIAL	DESCRIPTION BEZEICHNUNG

THIS DRAWING IS A CONTROLLED DOCUMENT.

DWN DAHLHEIMER 05DEC 1975  
 CHK BOCK 17DEC 1975  
 APVD -

DIMENSIONS: mm  
 TOLERANCES UNLESS OTHERWISE SPECIFIED:  
 0 PLC ±0.2  
 1 PLC ±0.2  
 2 PLC ±0.2  
 3 PLC ±  
 4 PLC ±  
 ANGLES ±2°  
 MATERIAL - FINISH -

PRODUCT SPEC 108-18012  
 APPLICATION SPEC -  
 WEIGHT -

**STE** TE Connectivity

NAME AMPMODU II ECONOMY LINE  
 PINHEADER SINGLE ROW, GOLD-VERSION  
 STIFTLISTE EINREIHIG, GOLD-VERSION

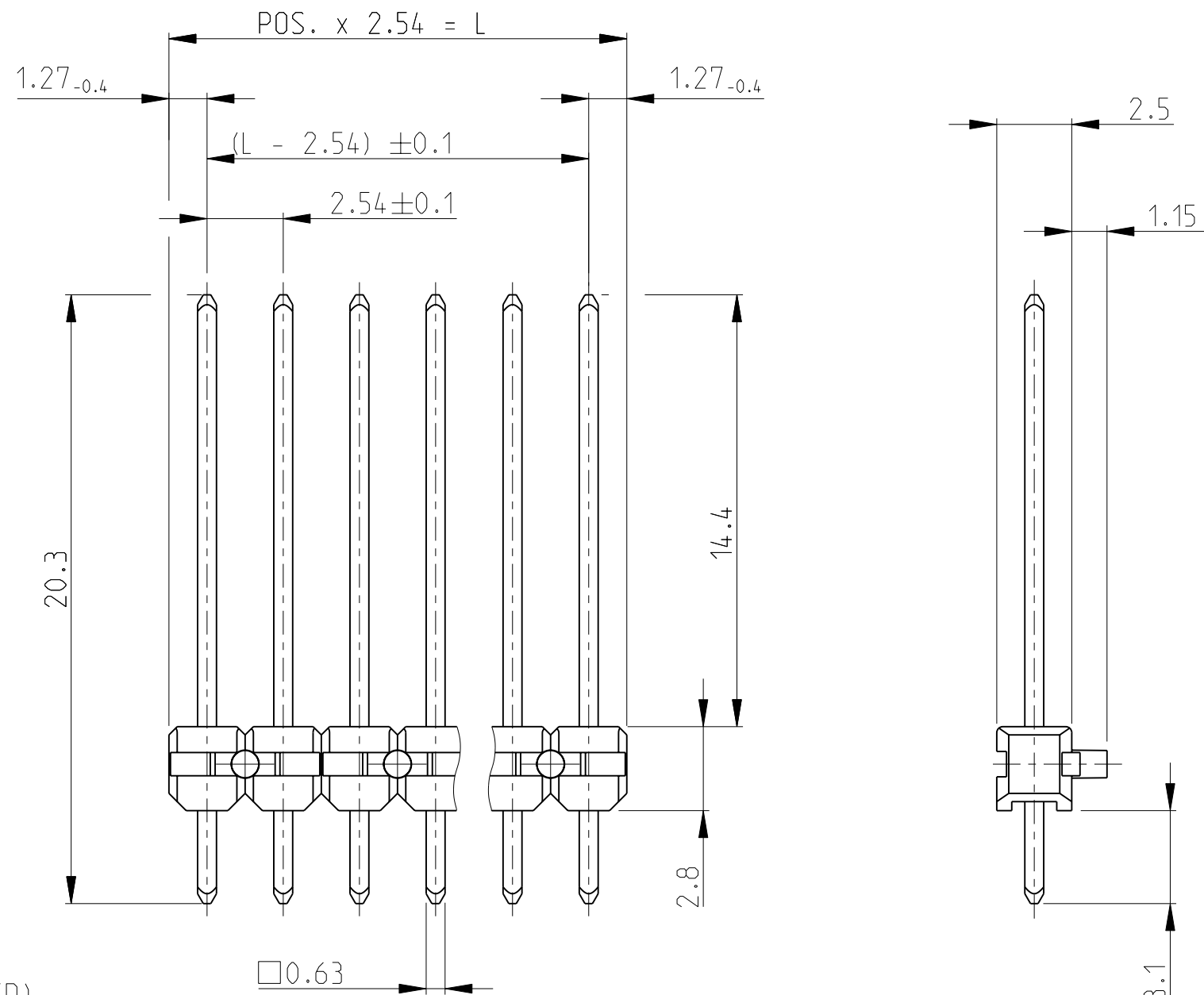
SIZE A3 CAGE CODE 00779 DRAWING NO C-825492 RESTRICTED TO -

CUSTOMER DRAWING SCALE 5:1 SHEET 1 OF 2 REV T3

THIS DRAWING IS UNPUBLISHED. RELEASED FOR PUBLICATION 2006  
 © COPYRIGHT 2006 ALL RIGHTS RESERVED.

LOC	DIST	REVISIONS			
P	LTR	DESCRIPTION	DATE	DWN	APVD
A1	-	SEE SHEET 1	-	-	-

POS. PER ROW	L -0.8	PART - NO.	POS. PER ROW	L -0.8	PART - NO.
-	-	-	26	66.04	7- -6
2	5.08	5- -2	27	68.58	7- -7
3	7.62	5- -3	28	71.12	7- -8
4	10.16	5- -4	29	73.66	7- -9
5	12.70	5- -5	30	76.20	8- -0
6	15.24	5- -6	31	78.74	8- -1
7	17.78	5- -7	32	81.28	8- -2
8	20.32	5- -8	33	83.82	8- -3
9	22.86	5-825 492-9/2	34	86.36	8- -4
10	25.40	6- -0	35	88.90	8- -5
11	27.94	6- -1	36	91.44	8- -6
12	30.48	6- -2	37	93.98	8- -7
13	33.02	6- -3	38	96.52	8- -8
14	35.56	6- -4	39	99.06	8- -9
15	38.10	6- -5	40	101.60	9- -0
16	40.64	6- -6	41	104.14	9- -1
17	43.18	6- -7	42	106.68	9- -2
18	45.72	6- -8	43	109.22	9- -3
19	48.26	6- -9	44	111.76	9- -4
20	50.80	7- -0	45	114.30	9- -5
21	53.34	7- -1	46	116.84	9- -6
22	55.88	7- -2	47	119.38	9- -7
23	58.42	7- -3	48	121.92	9- -8
24	60.96	7- -4	49	124.46	9- -9
25	63.50	7- -5	50	127.00	5- -0



- 1 0.8 μm GOLD OVER NICKEL (PRE GOLD PLATED)
- 2 OBSOLETE PARTS: OBSOLETE CIS STREAMLINING PER D.RENAUD/D.SINISI

1	Cu Sn	CONTACT PIN KONTAKTSTIFT
COLOUR GREEN	PBT GV	PINHOUSING STIFTGEHAEUSE
REMARK	MATERIAL	DESCRIPTION BEZEICHNUNG

THIS DRAWING IS A CONTROLLED DOCUMENT.

DWN DAHLHEIMER 05DEC 1975  
 CHK BOCK 17DEC 1975  
 APVD -

PRODUCT SPEC 108-18012  
 APPLICATION SPEC -

WEIGHT -

CUSTOMER DRAWING

**STE** TE Connectivity

NAME AMPMODU II ECONOMY LINE  
 PINHEADER SINGLE ROW, GOLD-VERSION  
 STIFTLISTE EINREIHIG, GOLD-VERSION

SIZE A3 CAGE CODE 00779 DRAWING NO. C-825492 RESTRICTED TO -

SCALE 5:1 SHEET 2 OF 2 REV T3