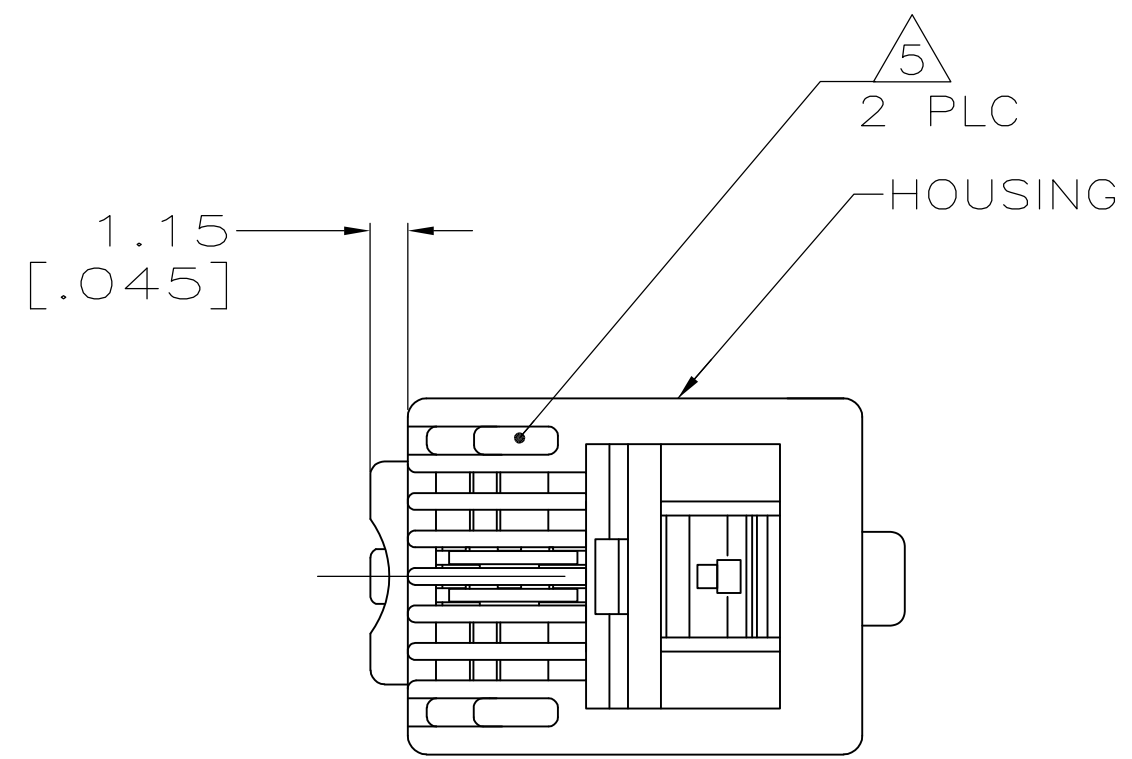


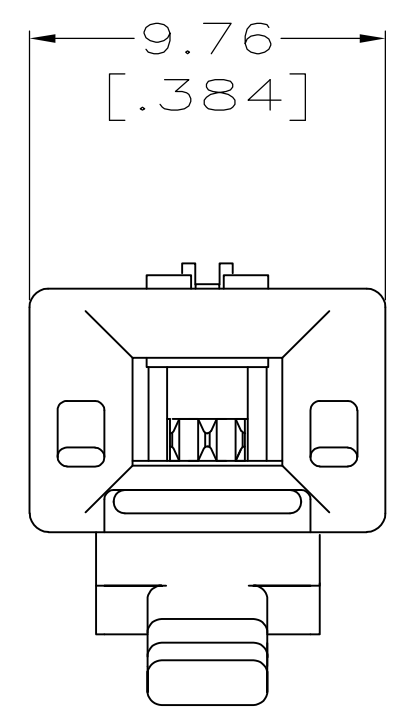
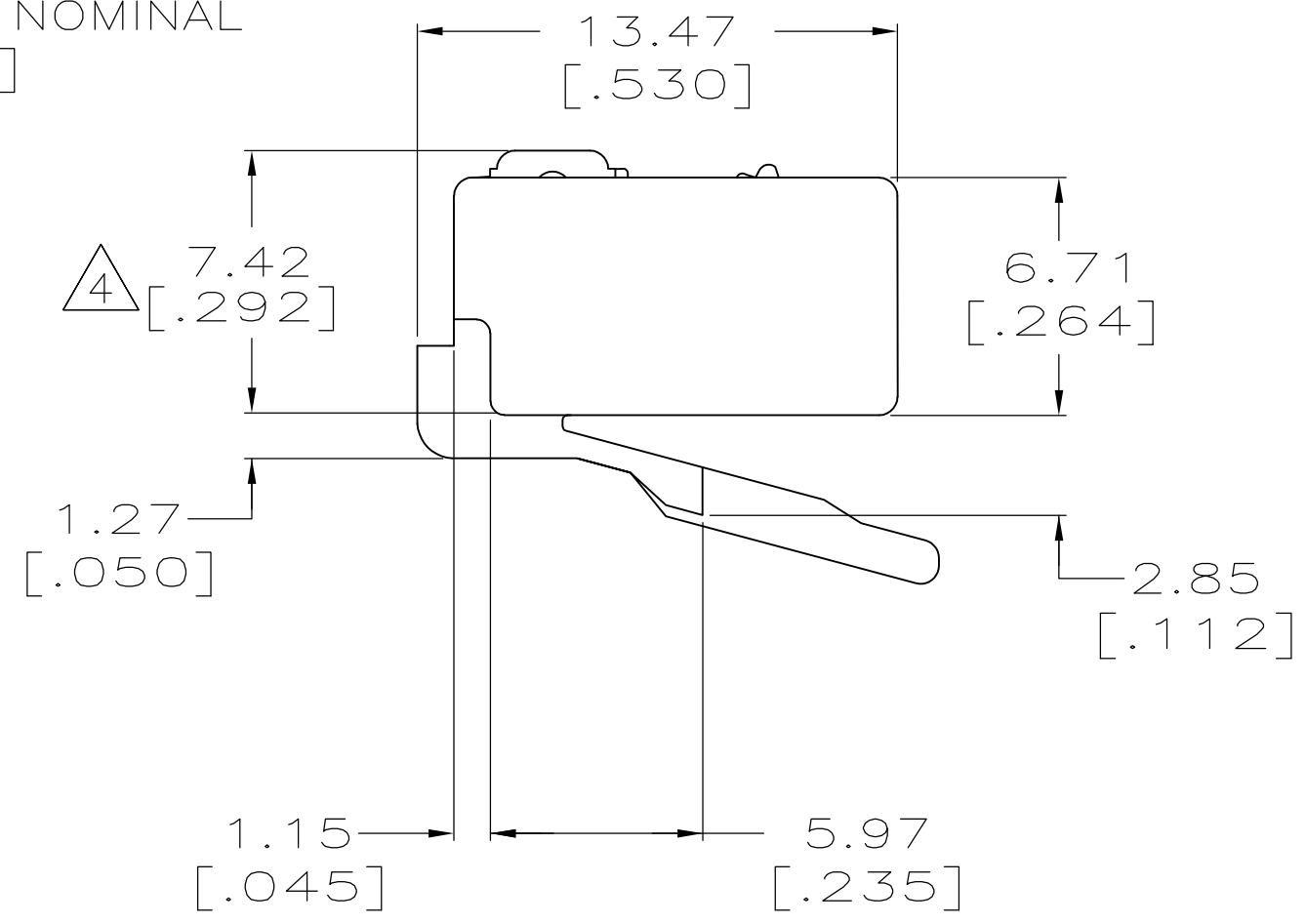
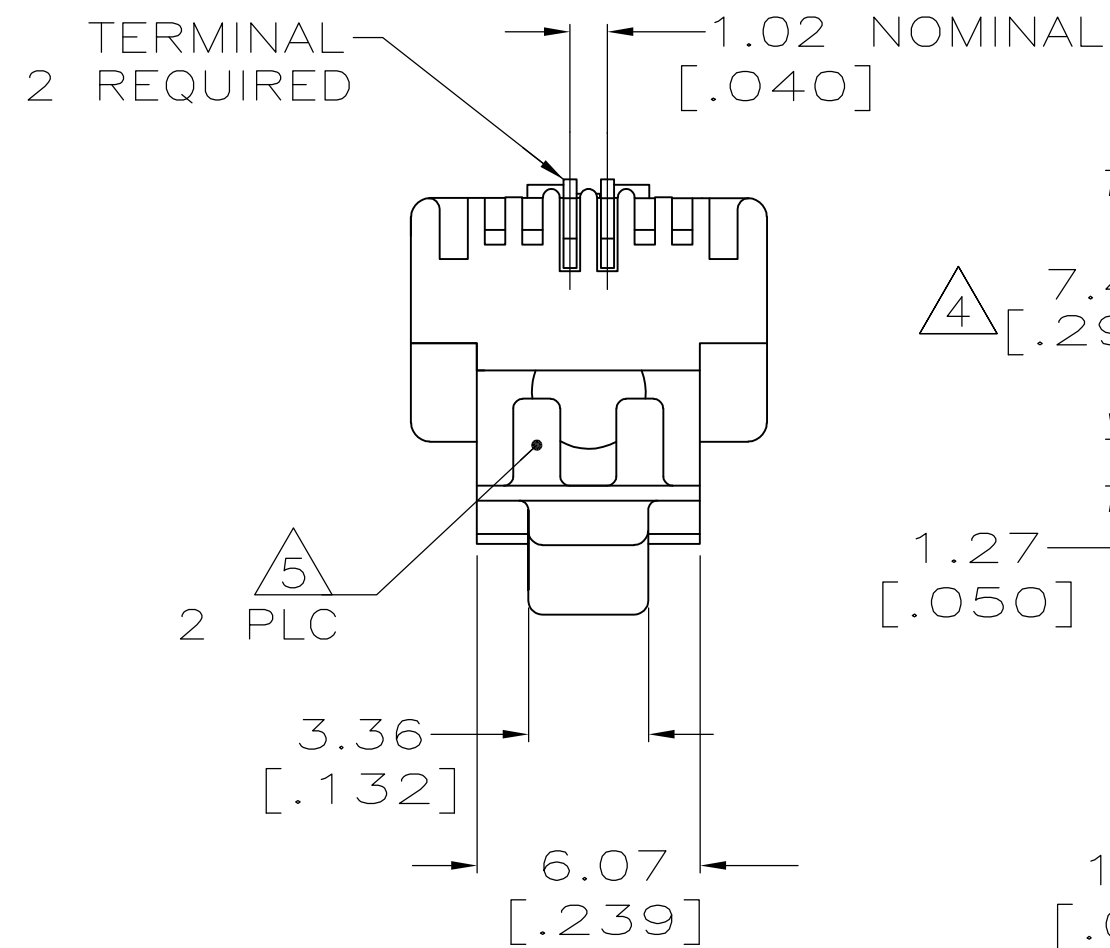
THIS DRAWING IS UNPUBLISHED. RELEASED FOR PUBLICATION
 © COPYRIGHT - By - ALL RIGHTS RESERVED.

LOC	DIST	REVISIONS			GG	EL	
HM	00	P	LTR	DESCRIPTION	DATE	DWN	APVD
		R		REV PER ECO-12-012918	09JUL2012	JM	JG



1. ALL DIMENSIONS SHOWN ARE FOR REFERENCE ONLY UNLESS OTHERWISE SPECIFIED.

2. MATERIAL: HOUSING-POLYCARBONATE CLEAR.
 TERMINAL- 0.36[.014] THICK PHOS BRONZE PLATED WITH 1.27um[.000050] MINIMUM THICK GOLD IN LOCALIZED GOLD PLATE AREA, OVER 2.54um [.000100] MINIMUM THICK NICKEL UNDERPLATE.



3. PLUG WILL EXCEPT 26 OR 28 AWG STRANDED OR TINSEL WIRE HAVING A MAXIMUM INSULATION OF $\phi 0.99$ [.039] AND A MAXIMUM OVAL CABLE JACKET OF 2.29x4.06 [.090x.160].

4. TERMINATED DIMENSION TO MEET FCC REQUIREMENTS .237±.005.

5. REELED PRODUCT ON STRIP DOES NOT HAVE VOID CORING ILLUSTRATED ON THIS DRAWING.

SUPSD BY 5-641333-2	1000 PER PACKAGE	5-641333-2
	REELED 5	641333-1
	DESCRIPTION	PART NO.

THIS DRAWING IS A CONTROLLED DOCUMENT.		DWN L. HALL 20FEB2007	TE TE Connectivity	
DIMENSIONS: INCHES		CHK C. DOOLEY 20FEB2007		
TOLERANCES UNLESS OTHERWISE SPECIFIED:		APVD C. DOOLEY 20FEB2007	NAME	
0 PLC ± -		PRODUCT SPEC	MODULAR PLUG ASSEMBLY, 2 POSITION, LINE STRANDED WIRE	
1 PLC ± -		108-1163	SIZE CAGE CODE DRAWING NO	
2 PLC ± -		APPLICATION SPEC	A2 00779 C-641333	
3 PLC ± -		114-6016	RESTRICTED TO	
4 PLC ± -		WEIGHT -	-	
ANGLES ± -		CUSTOMER DRAWING	SCALE 5:1 SHEET 1 of 1 REV R	
FINISH				