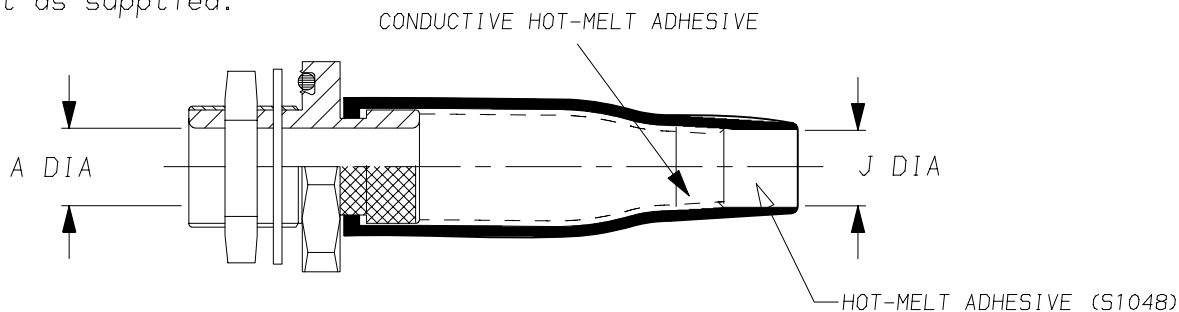
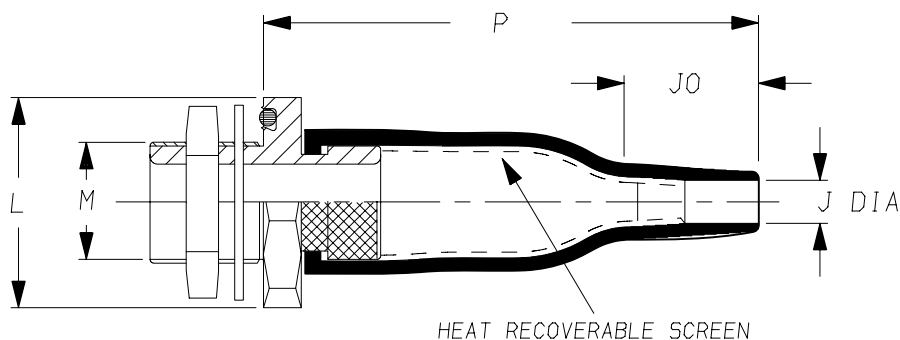


TCFS-**-***-0**-100CW

a) Part as supplied.



b) Part after unrestricted recovery.



KITS TO INCLUDE CLEANING TISSUE, 1 PIECE 100 GRIT EMERY CLOTH & 1 PIECE OF ATUM.
KIT TO BE USED IN CONJUNCTION WITH TCFS INSTALLATION PROCEDURE.

Dimensions (in millimetres)

PART No.	A		J		M	A/F	L	P	J0
	min	min	max	max	THREAD	Nut	NOM	±10%	Ref
		a	b					b	b
TCFS-12	7.4	7	5.0		M12 x 1.5	17	24	50	15
TCFS-16	10.1	9	6.0		M16 x 1.5	22	29	65	17
TCFS-20	14.1	11	7.2		M20 x 1.5	27	34	77	20
TCFS-24	19.1	17	8.5		M24 x 1.5	30	38	90	25
TCFS-30	24.1	21	10.0		M30 x 1.5	36	47	115	30
TCFS-36	30.1	29	15.8		M36 x 1.5	41	52	140	30

Copyright (!)

The copyright in this drawing is the property of Tyco Electronics UK Ltd. The drawing is issued on the condition that it is not copied, reproduced or disclosed to a third party, either in whole or in part without the prior written consent of Tyco Electronics UK Ltd.

Drawn A.LILLEY. Checked

Issue 1

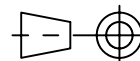
Date January 2006

Conforms to ISO Recommendations
3rd Angle Projection
Not to Scale

Approval
Design

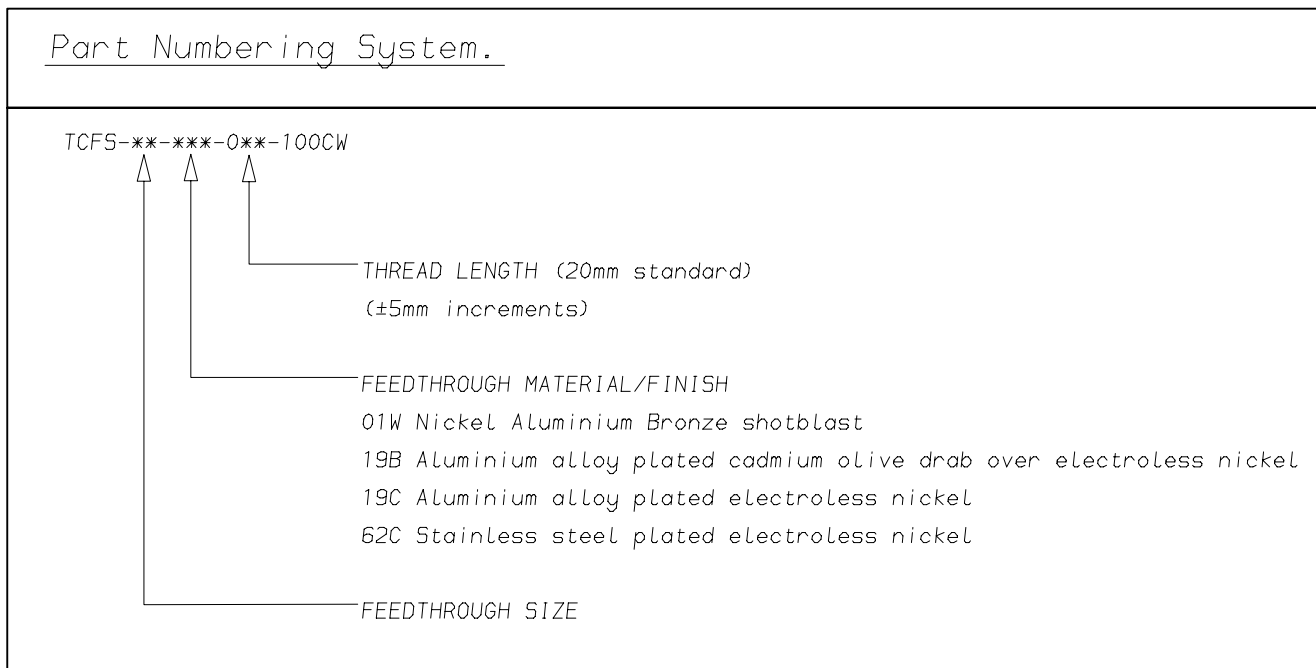
MKTG.

Q.A.



Details of Revisions			
Iss.	Date	E.C.R. No.	Details of Change

Materials		
Component	Description	Colour
Moulded part	(-100) Zero Halogen	Black



Tyco electronics UK Ltd. Faraday Road, Swindon, Wiltshire, SN3 5HH England Telephone: (01793) 528171 Fax: 572516	Tyco electronics Corporation 300, Constitution Drive, Menlo Park, CA 94025 USA Telephone (650) 361-3860 Fax: (650) 361-5579
Cage Code K1010	Cage Code 06090