

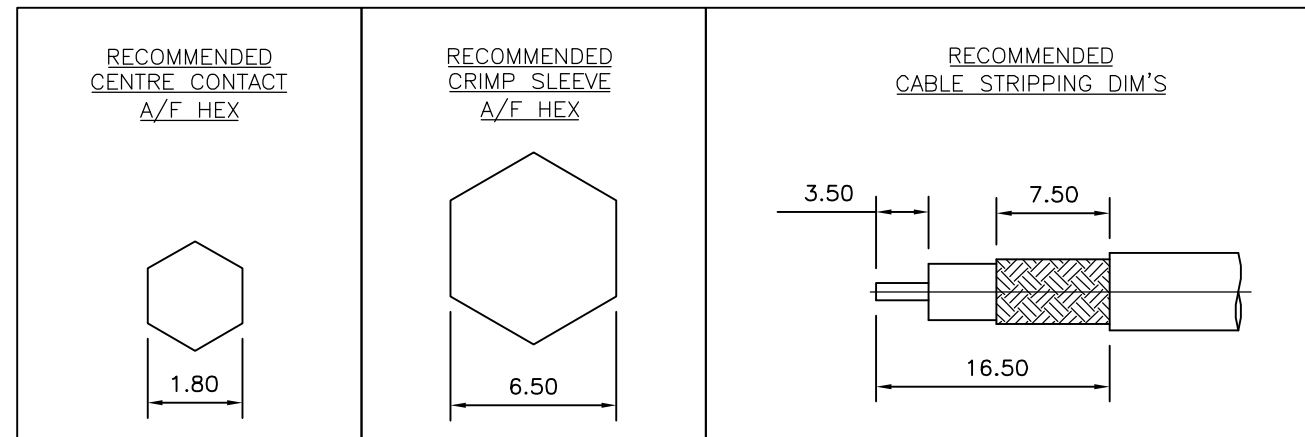
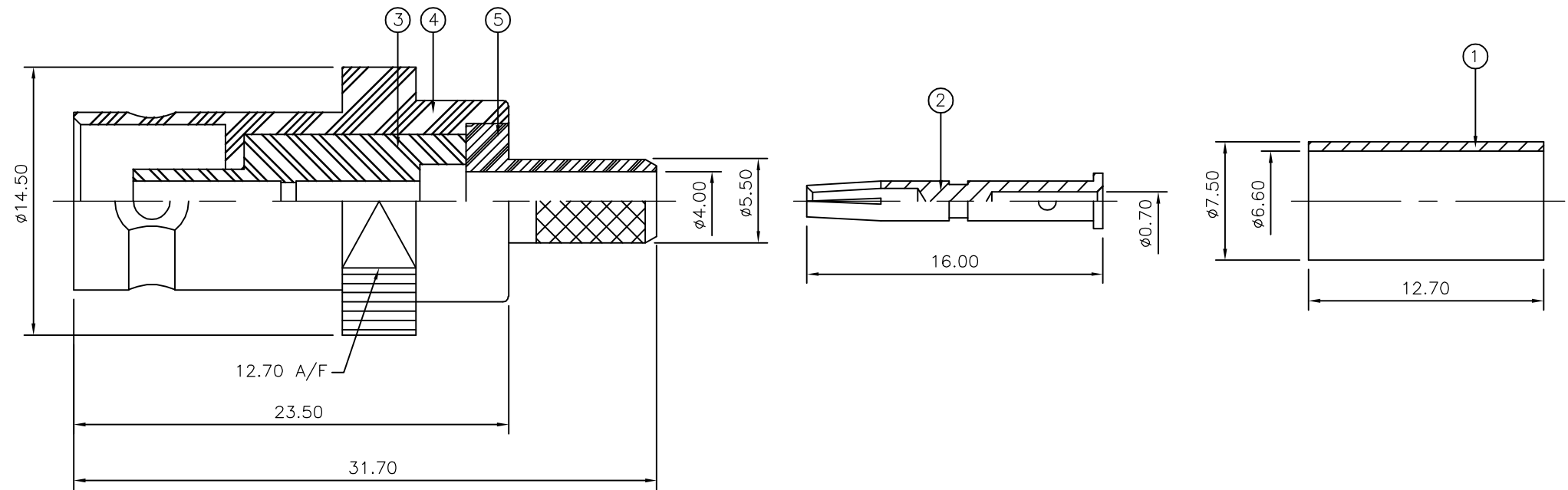
THIS DRAWING IS UNPUBLISHED. RELEASED FOR PUBLICATION NOV ,2005.

© COPYRIGHT 2005 BY TYCO ELECTRONICS CORPORATION. ALL RIGHTS RESERVED.

LOC	DIST	REVISIONS					
E	B	P	LTR	DESCRIPTION	DATE	DWN	APVD
		C		ECR-05-016219	24NOV05	JMS	FWK

NOTES:

- 1 PACK IN ACCORDANCE WITH AMP SPEC 107-3275
- 2 100 TRAY PACK IN ACCORDANCE WITH AMP SPEC 107-3275
- 3 Ag PLATING
- 4 HAND TOOL : 9-1478240-0
- 5 DIE SET : 9-1478242-0
- 6 ELECTRICAL CHARACTERISTICS
 FREQUENCY RANGE: DC - 2 GHz
 NOMINAL IMPEDANCE: 75 Ohm
 INSULATION RESISTANCE: 5000 MOhm
 WORKING VOLTAGE: 500 Volts RMS at Sea Level
 DIELECTRIC WITHSTAND VOLTAGE: 1500 Volts RMS Max
 CONTACT RESISTANCE:
 CENTRE CONTACT: 1.50 mOhm Max
 OUTER CONTACT: 0.20 mOhm Max
 VSWR @ 2GHz: 1.20:1 Max
 INSERTION LOSS dB @ x 2 GHz: 0.20 Max
- 7 MECHANICAL CHARACTERISTICS
 COUPLING RETENTION FORCE: N/A
 CABLE RETENTION FORCE: 170N Min
 DURABILITY: 500 Cycles Min
- 8 ENVIRONMENTAL CHARACTERISTICS
 OPERATING TEMPERATURE: -65 to +165 DegC



	1	1	BRASS	⚠	CHASSIS	5
	1	1	BRASS	⚠	BODY	4
	1	1	PTFE		INSULATION	3
	1	1	BRASS	⚠	CONTACT	2
	1	1	BRASS	⚠	FERRULE	1
	6--0	1--0	MATERIAL		DESCRIPTION	ITEM

QUANTITY PER ASSY		PARTS LIST			
		Tyco Electronics Corporation Bideford EX39 4HE			
		NAME BNC STRAIGHT JACK CRIMP 75 OHM RG59B/U, 62A/U, 140/U, 210/U, URM90, KX6A, KX25, KX52, KX53			
SIZE	CAGE CODE	DRAWING NO	RESTRICTED TO		
A3	00779	1337444	-		
CUSTOMER DRAWING		SCALE	SHEET	OF	REV
		NTS	1	1	C

THIS DRAWING IS A CONTROLLED DOCUMENT.	
DIMENSIONS: mm	TOLERANCES UNLESS OTHERWISE SPECIFIED:
	0 PLC ± -
	1 PLC ± -
	2 PLC ± -
	3 PLC ± -
	4 PLC ± -
	ANGLES ± -
MATERIAL SEE TABLE	FINISH -

DWN	J.SANDWELL	24NOV05
CHK	S.PARLOW	24NOV05
APVD	F.WHEELER-KING	24NOV05
PRODUCT SPEC	108-3435	
APPLICATION SPEC	411-3247	
WEIGHT	-	