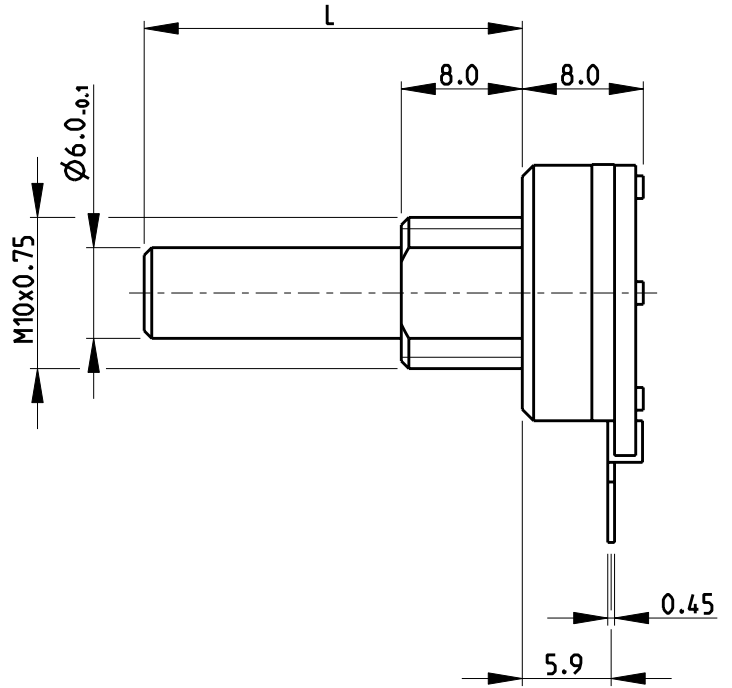
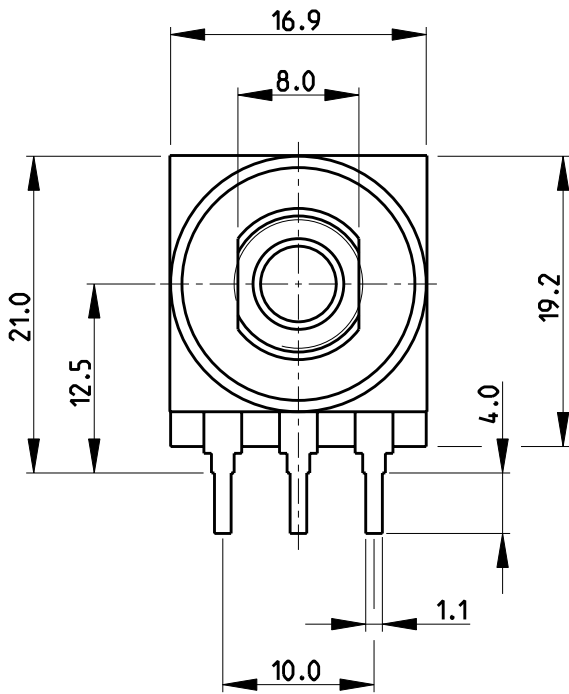
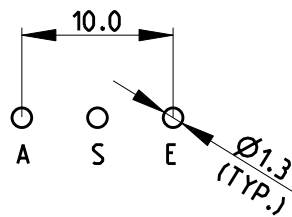


LOC	DIST	REVISIONS					
E	B	P	LTR	DESCRIPTION	DATE	DWN	APVD
		A		NEW RELEASE	17-NOV-08	SM	St.P

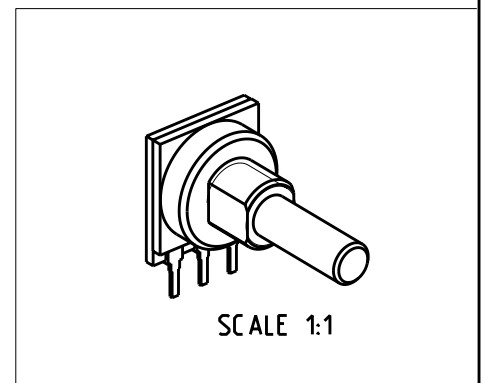
- 1 AVAILABLE IN DIFFERENT SHAFT LENGTHS
- 2 FOR FURTHER INFORMATION SEE DATA SHEET FOR 16P SERIES-SPINDLE OPERATED POTENTIOMETERS



PCB LAYOUT



RoHS Compliant



2008

RELEASED FOR PUBLICATION

THIS DRAWING IS UNPUBLISHED.

© COPYRIGHT 2008 BY TYCO ELECTRONICS CORPORATION. ALL RIGHTS RESERVED.

DIMENSIONS: mm	DWN SUBHASH.M	17-NOV-08	MATERIAL	-	FINISH	-
	CHK PRAKASH.S	17-NOV-08	Tyco Electronics Corporation Dorcan, Swindon, SN3 5HH			
TOLERANCES UNLESS OTHERWISE SPECIFIED:	APVD STEPHEN.P	17-NOV-08				
0 PLC ± 0.2	PRODUCT SPEC	-	NAME SPINDLE OPERATED POTENTIOMETER SERIES 16P			
1 PLC ± 0.1	APPLICATION SPEC	-				
2 PLC \pm	WEIGHT	-	SIZE	CAGE CODE	DRAWING NO	RESTRICTED TO
3 PLC \pm			A 4	00779	C-1624193	-
4 PLC \pm			CUSTOMER DRAWING			
ANGLES $\pm 5^\circ$						
			2:1	1	1	A