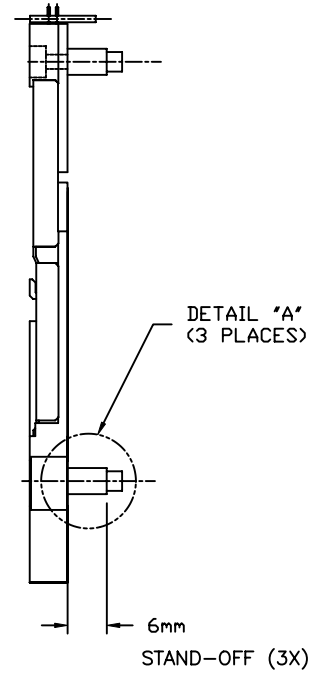
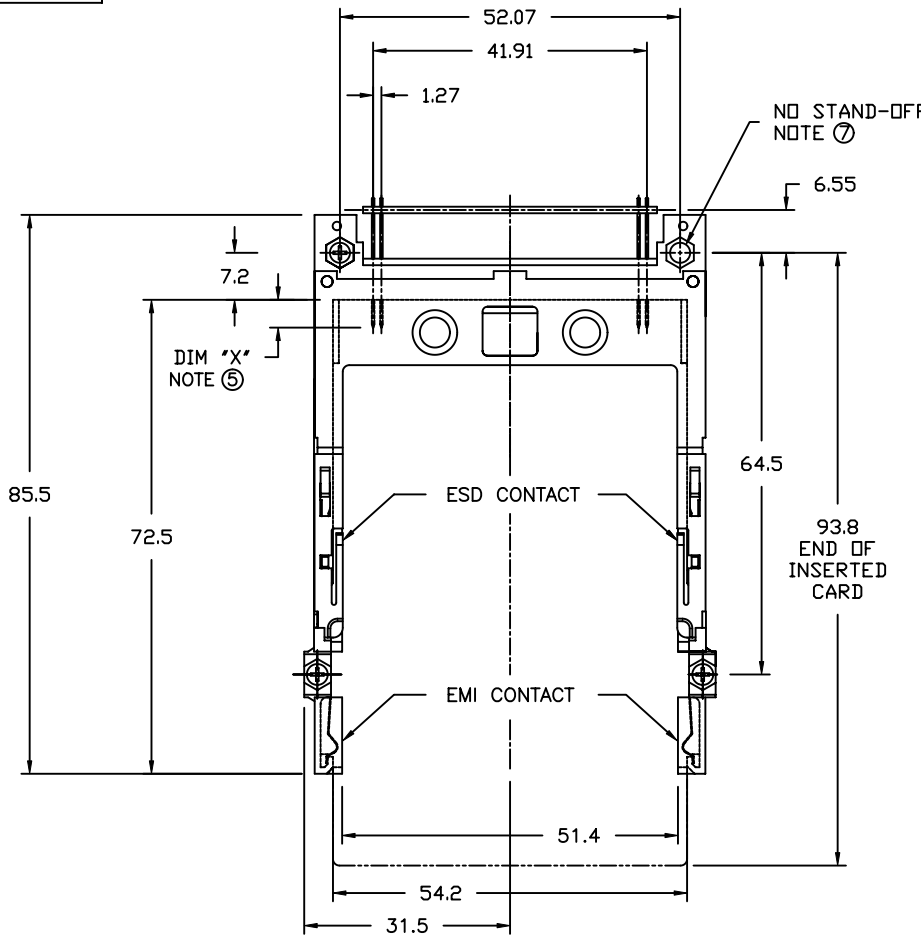


All rights strictly reserved. Reproduction or issue to third parties in any form whatever is not permitted without written authority from the proprietor.
 Property of ©BERG ELECTRONICS Copyright BERG ELECTRONICS INC.

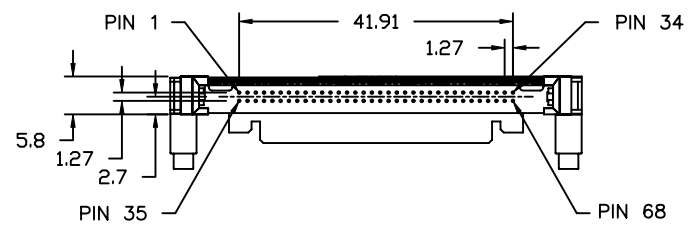
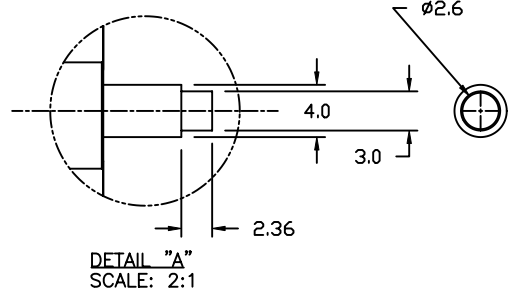
Tous droits strictement réservés. Reproduction ou communication a des tiers interdite sous quelque forme que ce soit sans autorisation écrite du propriétaire.
 Propriété de ©BERG ELECTRONICS. Droits de reproduction BERG ELECTRONICS INC.

PRODUCT NO.
74920-000

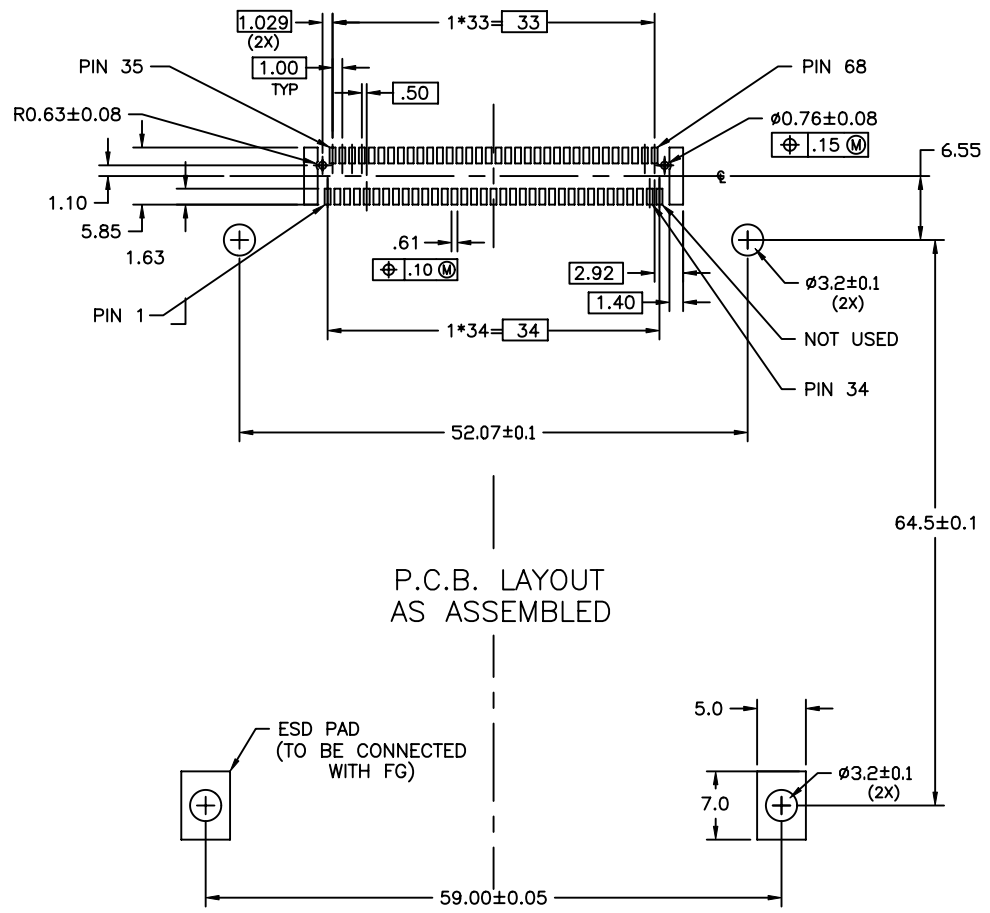


- NOTES:
- 8mm MIN CARD EJECT.
 - EJECT TRAVEL: 9.5mm
 - MATERIAL:
 - HEADER ASSY:
PLASTIC HOUSING: LCP UL94V-0 BLACK - ABOVE PCB
PIN: PHOSPHOR BRONZE
PCB: FR4
 - EJECT MECHANISM ASSY:
PLASTIC GUIDE: POLYPHTHRAMID UL94V-0 BLACK
COVER PLATE: STAINLESS STEEL
EMI CONTACT: PHOSPHOR BRONZE
 - MATING RECEPTACLE: (91931-31169)
PLASTIC: LCP94V-0 NATURAL
CONTACT: BeCu
 - FINISH (PIN)
UNDER PLATING: 0.5um MIN Ni
CONTACT AREA: 0.1um MIN GOLD OVER
0.5um MIN Pd-Ni
SOLDER TAIL: 2.5um MIN Sn-Pb
 - DIM "X"

4.25±0.1	3.5±0.1	5.0±0.1
OTHERS	36,67	1,17,34,35,51,68
 - RECOMMENDED SCREW TORQUE: 1.0 TO 1.5 MAX in-lbs. (1.2-1.7 cm-kgs).
 - ONLY 3 STAND-OFFS. NO STAND OFF ON RIGHT SIDE OF HEADER.



mat'l. code				tolerances unless otherwise specified		CUSTOMER COPY		 www.fciconnect.com	
ltr	ecn no	dr	date	linear	.X ±.3	projection	title		
A	V91314	CGC	6/8/99		.XX ±.13	 mm	VTB HEADER ASSY		
B	V03-0517	WL	05/29/03		.XXX ±.051		WITH 6mm STAND-OFF		
C	T03-0341	WL	08/18/03	angles	0° ±2°	scale	product family	PCMCIA	code
				dr	G.CLEMENS	6/8/99	size	dwg no	sheet
				enr	D BRANN	6/8/99	A4	74920	1 of 4
				chr	D BRANN	6/8/99			
				appd	D.BRANN	6/8/99			
sheet index	revision sheet	C	B	C	C				
		1	2	3	4				



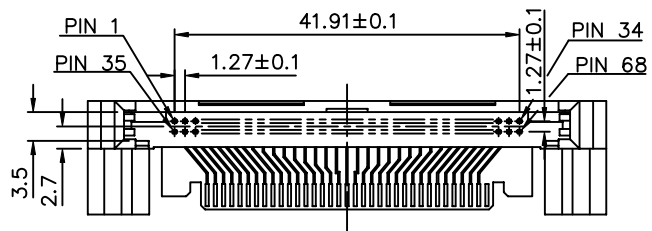
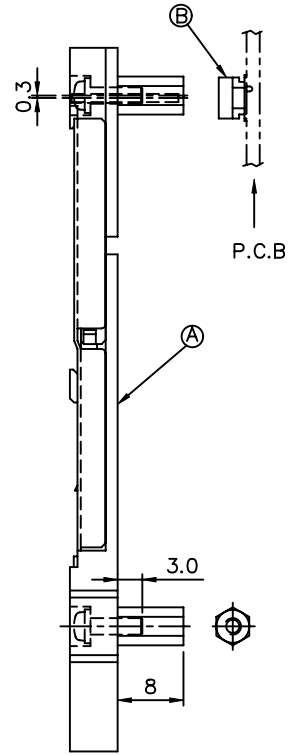
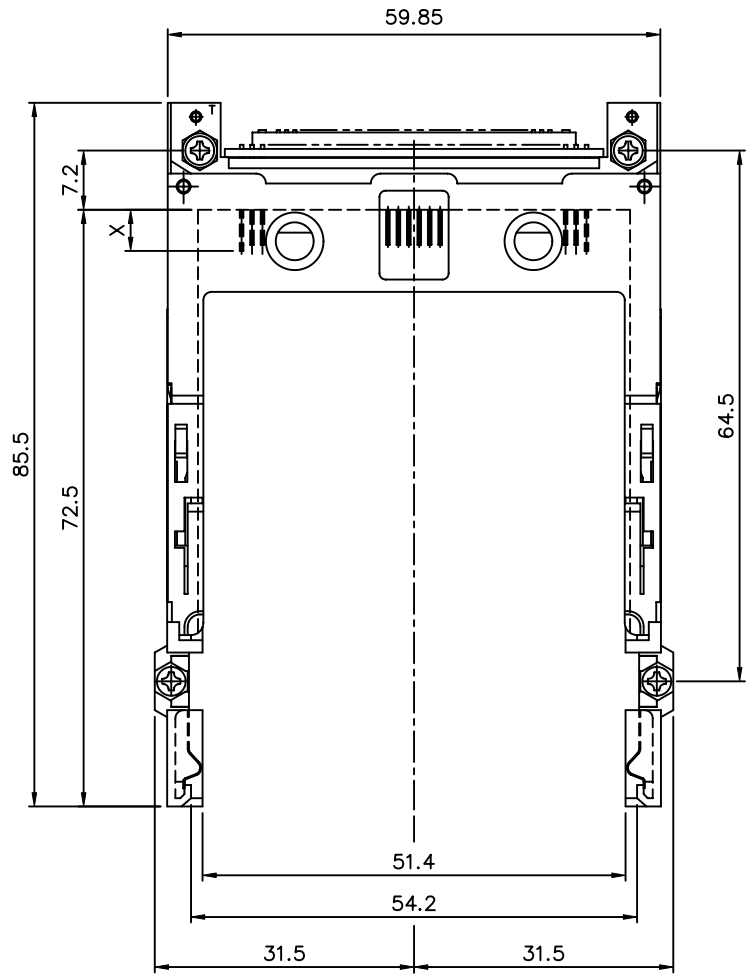
P.C.B. LAYOUT
AS ASSEMBLED

mat'l. code				tolerances unless otherwise specified		CUSTOMER COPY		BERG ELECTRONICS			
ltr	ecn no	dr	date	linear	.X ±.3		projection	title			
B					.XX ±.13			VTB HEADER ASSY			
					.XXX ±.051			WITH 6mm STAND-OFF			
				angles	0° ±2°		 mm scale 1:1	product family		code	
				dr	G.CLEMENS	6/8/99		PCMCIA		-	
				enr	D.BRANN	6/8/99		size		dwg no	
				chr	D.BRANN	6/8/99		A4		74920	
				appd	D.BRANN	6/8/99				sheet 2 of	
sheet index	revision sheet										

Tous droits strictement reserves. Reproduction ou communication a des tiers int sous quelque forme que ce soit sans autorisation écrite du propriétaire. Propriete de c BERG ELECTRONICS. Droits de reproduction BERG ELECTRONICS by

All rights strictly reserved. Reproduction or issue to third parties in any for whatever is not permitted without written authority from the proprietor. Property of c BERG ELECTRONICS. Copyright BERG ELECTRONICS by

PRODUCT NO.
74920-080



NOTES:

1. 8mm MIN. CARD EJECT.
2. MATERIAL
 - 2.1 HEADER ASS'Y
 - PLASTIC :HOUSING ...LCP UL94V-0 BLACK
 - PIN :COPPER ALLOY
 - PCB : FR4
 - 2.2 MECHANISM ASS'Y
 - PLASTIC :
 - GUIDE:POLYPHTHARAMID UL94V-0 BLACK
 - PLATE :STAINLESS
 - EMI CONTACT:PHOSPHOR BRONZE
 - STAND-OFF : BRASS
3. FINISH (PIN)
 - UNDER PLATING :0.5 um MIN. Ni
 - CONTACT AREA :0.1 um MIN. GOLD OVER
 - 0.5 um MIN. Pd-Ni
 - SOLDER TAIL : 2.5 um MIN. Sn-Pb
 - STAND-OFF : 2 um MIN. Ni.

4. DIM "X"

4.25±0.1	3.5±0.1	5.0±0.1
OTHERS	36,67	1,17,34,35,51,68

ORDERING INFORMATION

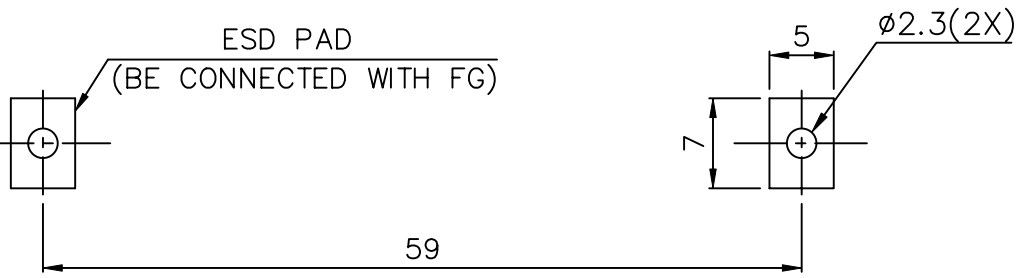
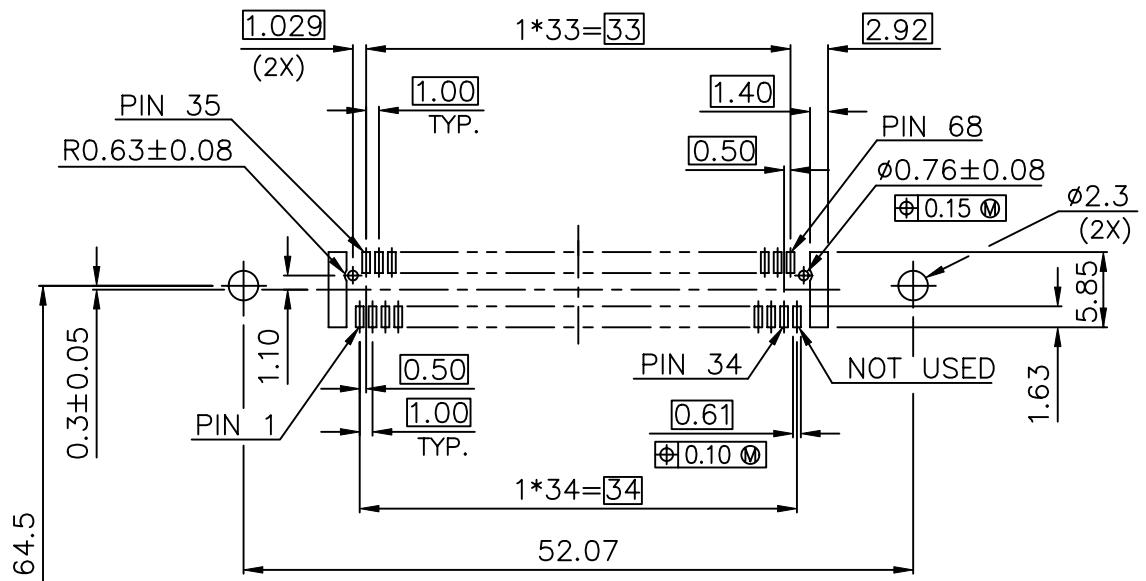
NAME	PART NO.	Q'TY
Ⓐ EJECT HEADER ASS'Y	74920-080	1
Ⓑ MATING RECEPTACLE	91931-31169	1

mat'l code		tolerance unless otherwise specified		CUSTOMER COPY		 www.fciconnect.com	
rev.	ecn no.	dr	date	linear	± 0.30	projection	title
C				angles	± 2°		EJECTOR HEADER ASS'Y WITH 8mm STAND-OFF
		dr	WENDY CHEN 08/11/03	unit	mm/inch	product family	PCMCIA
		enr	NICK HSU 08/11/03	scale	1.2:1	size	dwg no.
		chr	NICK HSU 08/11/03			A3	74920
		appd	JENN TSAO 08/11/03				sheet 3 OF
sheet index	revision	sheet					

Tous droits strictement reserves. Reproduction ou communication a des tiers int sous quelque forme que ce soit sans autorisation écrite du propriétaire. Property of c BERG ELECTRONICS. Droits de reproduction BERG ELECTRONICS by

All rights strictly reserved. Reproduction or issue to third parties in any for whatever is not permitted without written authority from the proprietor. Property of c BERG ELECTRONICS. Copyright BERG ELECTRONICS by

PRODUCT NO.
74920-080



BOARD VIEW FROM CONNECTOR MOUNTED SIDE
TOP OF BOARD IN APPLICATION

mat'l code		tolerance unless otherwise specified		CUSTOMER COPY		 www.fciconnect.com	
rev.	ecn no.	dr	date	linear	± 0.1	projection	title
C				angles	± 2°		EJECTOR HEADER ASS'Y WITH 8mm STAND-OFF
				dr	WENDY CHEN 08/11/03	unit	product family
				enr	NICK HSU 08/11/03	mm/inch	PCMCIA
				chr	NICK HSU 08/11/03	scale	code
				appd	JENN TSAO 08/11/03	1.2:1	
sheet	revision						size
index	sheet						A3
							dwg no.
							74920
							sheet
							4 OF