

LTC2446

24-Bit High Speed 4-/8-Channel $\Delta\Sigma$ ADCs with Selectable Multiple Reference Inputs

DESCRIPTION

The LTC[®]2446 is a 4-/8-channel, high speed, 24-bit $\Delta\Sigma$ ADC with ten selectable speed/resolution modes from 6.9Hz/280nV_{RMS} to 3.5kHz/25 μ V_{RMS}. Key DC specifications include 5ppm INL, 5 μ V offset, 10ppm full-scale error and 20nV/°C offset drift. In the 6.9Hz/200nV_{RMS} mode, input normal mode rejection of 50Hz and 60Hz noise is better than 87dB. The accuracy (offset, full-scale, linearity, drift) and power dissipation are independent of the speed selected. The LTC2446 also has four reference inputs dedicated to the four differential input channels and corresponding pairs of single-ended input channels. This allows the inputs to have different reference sources, facilitating independent ratiometric measurements on each channel.

The DC847A is a member of Linear Technology's QuikEval™ family of demonstration boards. It is designed to allow easy evaluation of the LTC2446 and may be connected directly to the target application's analog signals while using the DC590 USB serial controller board and supplied software to measure performance. The exposed ground planes allow proper grounding to prototype circuitry. After evaluating with LTC's software, the digital signals can be connected to the application's processor/controller for development of the serial interface.

Design files for this circuit board are available at <http://www.linear.com/demo>

LT, LTC, LTM, Linear Technology and the Linear logo are registered trademarks and QuikEval is a trademark of Linear Technology Corporation. All other trademarks are the property of their respective owners.

BOARD LAYOUT

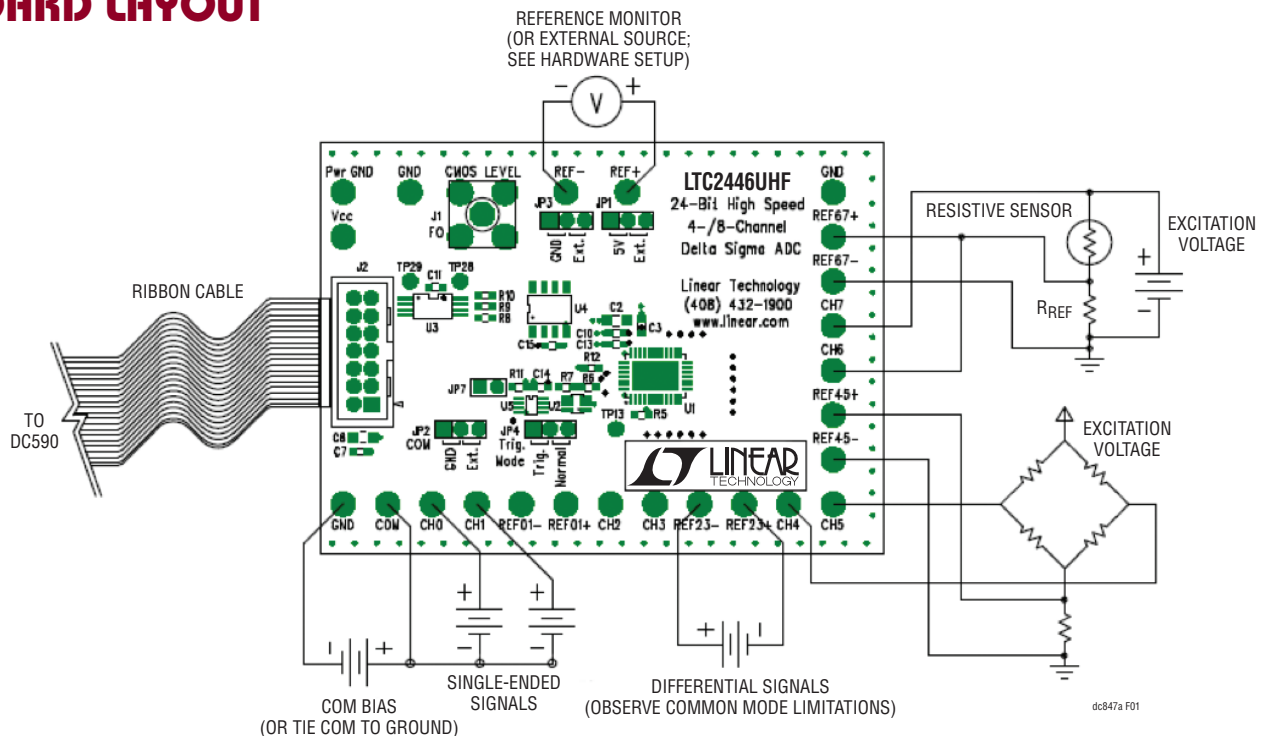


Figure 1. DC847A Connection Diagram

QUICK START PROCEDURE

- Connect the DC847A to a DC590 USB serial controller using the supplied 14-conductor ribbon cable.
- Connect the DC590 to a host PC with a standard USB A/B cable.
- Run the evaluation software supplied with the DC590 or download it from www.linear.com/software. The correct program will be loaded automatically.
- Click the Collect button to start reading the input voltage.
- Click the slider at the bottom of the strip chart display to change the oversample ratio (OSR) which will, in turn, change the data output rate.

Tools are available for logging data, changing reference voltage, changing the number of points in the strip chart and histogram, and changing the number of points averaged for the DVM display.

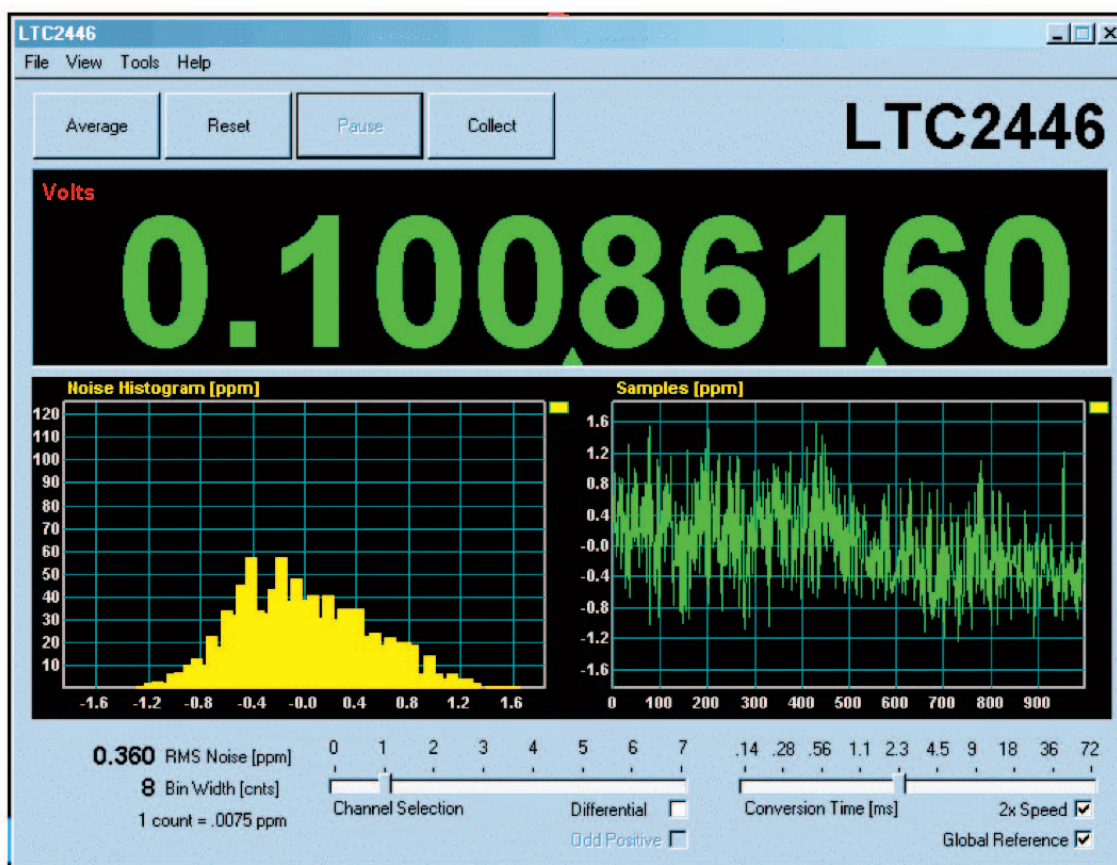


Figure 2. QuikEval Software Screenshot

HARDWARE SETUP

JUMPERS

JP1, JP3: Select the source for REF⁺ and REF⁻, respectively. REF⁺ can be 5V from the onboard LT1236 reference (default) or supplied externally. REF⁻ can be ground (0V, default) or supplied externally.

JP2: Select the source for the analog COM input, either tied to ground or supplied externally to the COM turret post.

JP4: Trigger Mode; either normal (default) or externally triggered.

JP7: Trigger Input Signal. Pin 1 is a 5V logic signal, Pin 2 is ground. When trigger mode is selected on JP4, a rising edge starts a new conversion. Note that since a conversion cannot be terminated once started, this signal can only be used to slow down the conversion rate.

CONNECTION TO THE DC590 SERIAL CONTROLLER

J2: Power and Digital Interface Connector. Connect to the DC590 serial controller with the supplied 14-conductor ribbon cable.

ANALOG CONNECTIONS

Analog signal connections are made via the row of turret posts along the edge of the board. Also, if you are connecting the board to an existing circuit, the exposed ground planes along the edges of the board may be used to form a solid connection between grounds.

GND: Ground turrets are connected directly to the internal analog ground plane.

PWR GND: Power Ground; connected to the power return trace.

V_{CC}: Supply for the ADC. Do not draw any power from this point. External power may be applied to this point after disabling the switching supply on the DC590. If the DC590 serial controller is being used, the voltage must be regulated 5V only, as the isolation circuitry will also be powered from this supply. See the DC590 Quick Start Guide for details.

REF⁺, REF⁻: Turrets Connected to the LTC2446 Global Reference Pins (REF⁺ and REF⁻). If the onboard reference is being used, the reference voltage may be monitored from this point. An external reference may be connected to these terminals if JP1 and JP3 are configured for external reference.

REF01⁺, REF01⁻, REF23⁺, REF23⁻, etc.: Dedicated Reference Inputs for Each Input Channel.

Note: The REF⁺, REF⁻, REF01⁺, REF01⁻, REF23⁺, REF23⁻, etc. terminals are decoupled to ground with 0.1μF and 10μF capacitors. Thus, any source connected to these terminals must be able to drive a capacitive load and have very low impedance at DC. Examples are series references that require an output capacitor and C-load stable op amps, such as the LT1219 and LT1368.

CH0 - CH7: These are the differential inputs to the LTC2446. They may be configured either as single-ended inputs with respect to the COM pin, or adjacent pairs may be configured as differential inputs (CH0-1, CH2-3, etc.).

Note: Channels 0-3 have 1μF capacitors from the inputs to ground. Channels 4-7 do not have capacitors installed, however, there are pads for these capacitors on the back of the board. The reason for this is that some applications benefit from a large capacitance at the inputs while others require no capacitance.

EXPERIMENTS

Input Noise

Solder a short wire from the CH0 to CH1. Set the demo software to OSR32768 (6.8 samples per second) and check the 2X box. Noise should be approximately 0.056ppm of V_{REF} (280nV). Next, select different oversample ratios. Measured noise for each oversample ratio should be close to values given in the LTC2446 data sheet.

Common Mode Rejection

Tie the two inputs (still connected together from previous experiment) to ground through a short wire and note the indicated voltage. Tie the inputs to REF⁺; the difference should be less than 5μV due to the 120dB CMRR of the LTC2446.

DEMO MANUAL DC847A

EXPERIMENTS

Input Normal Mode Rejection

The LTC2446's SINC⁴ digital filter is trimmed to strongly reject both 50Hz and 60Hz line noise when operated with the internal conversion clock and oversample ratio 32768 (6.8 samples per second). To measure input normal mode rejection, connect COM to a 2.5V source such as an LT1790-2.5 reference or a power supply. Connect any other input (CH0 – CH15) to the same supply through a 10kΩ resistor. Apply a 10Hz, 2V peak-to-peak sine wave to the input through a 1μF capacitor.

Select OSR32768 (6.8 samples per second) and 2X mode in the demo software and start taking data. The input noise

will be quite large, and the graph of output vs time should show large variations.

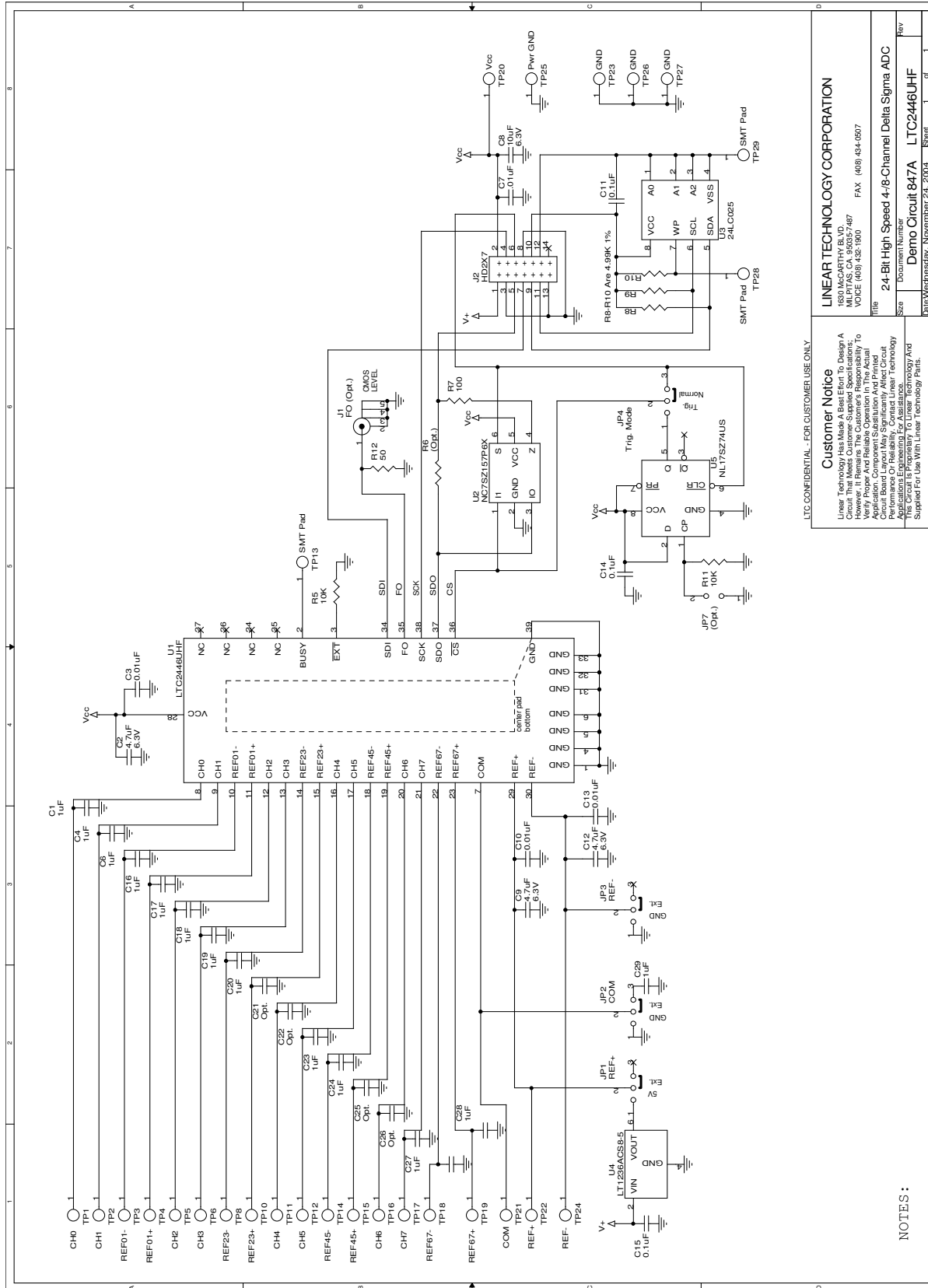
Next, slowly increase the frequency to 55Hz. The noise should be almost undetectable in the graph. Note that the indicated noise in ppm may still be above that of the data sheet specification because the inputs are not connected to a DC source.

Change the OSR to 16384 (13.75 samples per second). The noise will increase substantially, as the first notch at this OSR is at 110Hz. Increase the signal generator frequency to 110Hz; the noise will drop again.

PARTS LIST

ITEM	QTY	REFERENCE	PART DESCRIPTION	MANUFACTURER/PART NUMBER
Required Circuit Components				
1	4	C3, C7, C10, C13	CAP., CHIP, X7R, 0.01μF, 16V	AVX, 0603YC103KAT1A, 0603
2	3	C11, C14, C15	CAP., CHIP, X7R, 0.1μF, 16V	AVX, 0603YC104MAT1A, 0603
3	13	C1, C4, C6, C16-C20, C23, C24, C27-C29	CAP., CHIP, X5R, 1μF, 10V	TAIYO YUDEN, LMK107BJ105MG, 0603
4	3	C2, C9, C12	CAP., CHIP, X5R, 4.7μF, 6.3V	TAIYO YUDEN, JMK212BJ475MG, 0805
5	1	C8	CAP., CHIP, X5R, 10μF, 6.3V	TDK, C2012X5R0J106M, 0805
6	0	C21, C22, C25, C26	OPT.	
7	24	TP1-TP6, TP8, TP10-TP12, TP14-TP27	TURRET, TESTPOINT, 0.064"	MILL-MAX, 2308-2
8	0	TP13, TP28, TP29	OPT. (SURFACE MOUNT PAD ONLY)	
9	4	JP1-JP4	HEADER, 3-PIN, 1 ROW, 0.079"	COMM-CON, 2802S-03G2
10	4	FOR (JP1-JP4)	SHUNT, 0.079", CENTER	COMM-CON, CCIJ2MM-138GW
11	0	JP7	OPT.	
12	0	J1 (OPT.)	CONN., SMA COAXIAL, STRAIGHT JACK	CONNEX, 132134
13	1	J2	HEADER, VERTICAL DUAL, 2x7, 0.079"	MOLEX, 87831-1420
14	1	R7	RES., CHIP, 100, 5%	AAC, CR16-101JM, 0603
15	3	R8, R9, R10	RES., CHIP, 4.99k, 1%	VISHAY, CRCW0603
16	2	R5, R11	RES., CHIP, 10k, 5%	AAC, CR16-103JM, 0603
17	0	R6	OPT.	
18	1	U1	I.C., 24-BIT 4-/8-CHANNEL DELTA SIGMA ADCs	LINEAR TECHNOLOGY, LTC2446UHF, 38QFN
19	1	U4	I.C., PRECISION REFERENCE	LINEAR TECHNOLOGY, LT1236ACS8-5, S08
20	1	U3	I.C., SERIAL EEPROM	MICROCHIP, 24LC025-I/ST, TSSOP-8
21	1	U2	I.C., NONINVERTING MULTIPLEXER	FAIRCHILD, NC7SZ157P6X, SC70
22	1	U5	I.C., SINGLE D FLIP-FLOP	ON SEMI., NL17SZ74US, US8

SCHEMATIC DIAGRAM



LTC CONFIDENTIAL - FOR CUSTOMER USE ONLY

Customer Notice
 Linear Technology Has Made A Best Effort To Design A Reasonably Accurate And Reliable Design. However, It Remains The Customer's Responsibility To Verify Proper And Reliable Operation In The Actual Application. Performance Or Reliability May Significantly Affect Circuit Performance. For More Information, Contact Linear Technology. The Circuit Is Proprietary To Linear Technology And Supplied For Use With Linear Technology Parts.

LINEAR TECHNOLOGY CORPORATION
 1650 McCARTHY BLVD.
 FOLSOM, CA 95630
 VOICE (408) 432-1900 FAX (408) 434-0907

Title: 24-Bit High Speed 4-/8-Channel Delta Sigma ADC
 Size: 000000000000000000
 Date/Version: 11/20/04/1.0001

Rev: Demo Circuit 847A LTC2448UHF

Figure 3. DC847A 24-Bit High Speed 4-/8-Channel Delta Sigma ADC

NOTES:

DEMO MANUAL DC847A

DEMONSTRATION BOARD IMPORTANT NOTICE

Linear Technology Corporation (LTC) provides the enclosed product(s) under the following **AS IS** conditions:

This demonstration board (DEMO BOARD) kit being sold or provided by Linear Technology is intended for use for **ENGINEERING DEVELOPMENT OR EVALUATION PURPOSES ONLY** and is not provided by LTC for commercial use. As such, the DEMO BOARD herein may not be complete in terms of required design-, marketing-, and/or manufacturing-related protective considerations, including but not limited to product safety measures typically found in finished commercial goods. As a prototype, this product does not fall within the scope of the European Union directive on electromagnetic compatibility and therefore may or may not meet the technical requirements of the directive, or other regulations.

If this evaluation kit does not meet the specifications recited in the DEMO BOARD manual the kit may be returned within 30 days from the date of delivery for a full refund. **THE FOREGOING WARRANTY IS THE EXCLUSIVE WARRANTY MADE BY THE SELLER TO BUYER AND IS IN LIEU OF ALL OTHER WARRANTIES, EXPRESSED, IMPLIED, OR STATUTORY, INCLUDING ANY WARRANTY OF MERCHANTABILITY OR FITNESS FOR ANY PARTICULAR PURPOSE. EXCEPT TO THE EXTENT OF THIS INDEMNITY, NEITHER PARTY SHALL BE LIABLE TO THE OTHER FOR ANY INDIRECT, SPECIAL, INCIDENTAL, OR CONSEQUENTIAL DAMAGES.**

The user assumes all responsibility and liability for proper and safe handling of the goods. Further, the user releases LTC from all claims arising from the handling or use of the goods. Due to the open construction of the product, it is the user's responsibility to take any and all appropriate precautions with regard to electrostatic discharge. Also be aware that the products herein may not be regulatory compliant or agency certified (FCC, UL, CE, etc.).

No License is granted under any patent right or other intellectual property whatsoever. **LTC assumes no liability for applications assistance, customer product design, software performance, or infringement of patents or any other intellectual property rights of any kind.**

LTC currently services a variety of customers for products around the world, and therefore this transaction **is not exclusive**.

Please read the DEMO BOARD manual prior to handling the product. Persons handling this product must have electronics training and observe good laboratory practice standards. **Common sense is encouraged.**

This notice contains important safety information about temperatures and voltages. For further safety concerns, please contact a LTC application engineer.

Mailing Address:

Linear Technology
1630 McCarthy Blvd.
Milpitas, CA 95035

Copyright © 2004, Linear Technology Corporation