

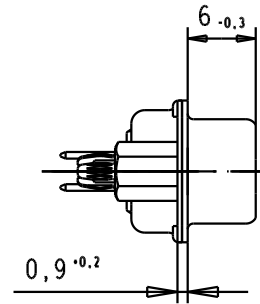
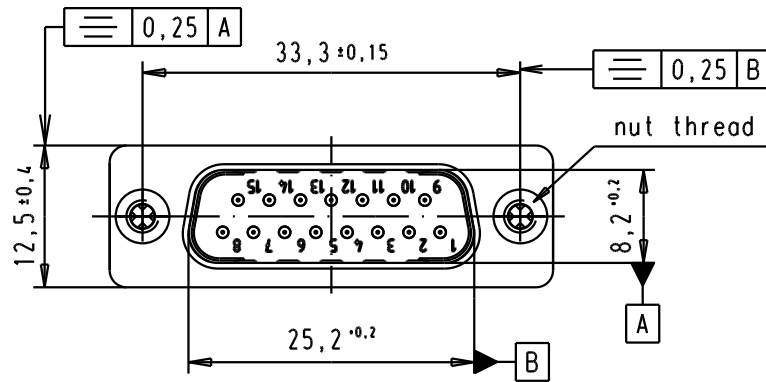
5

4

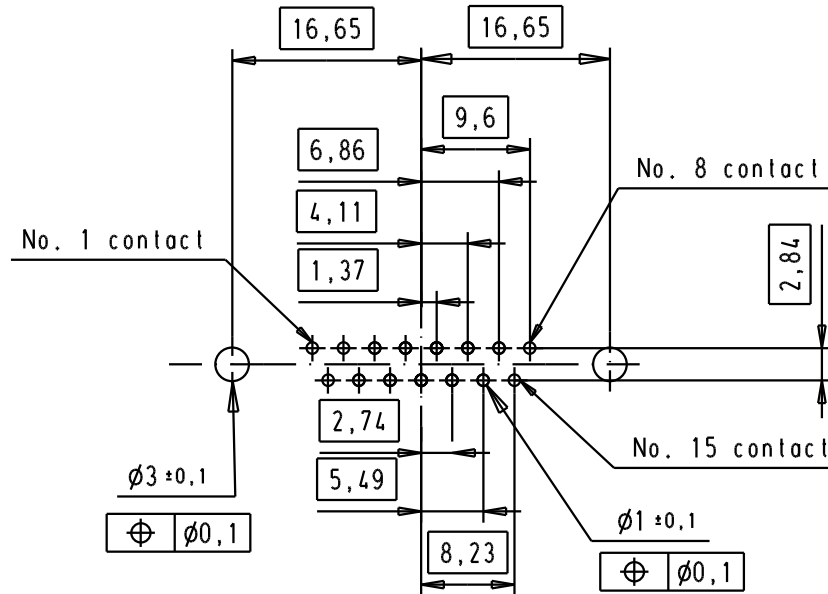
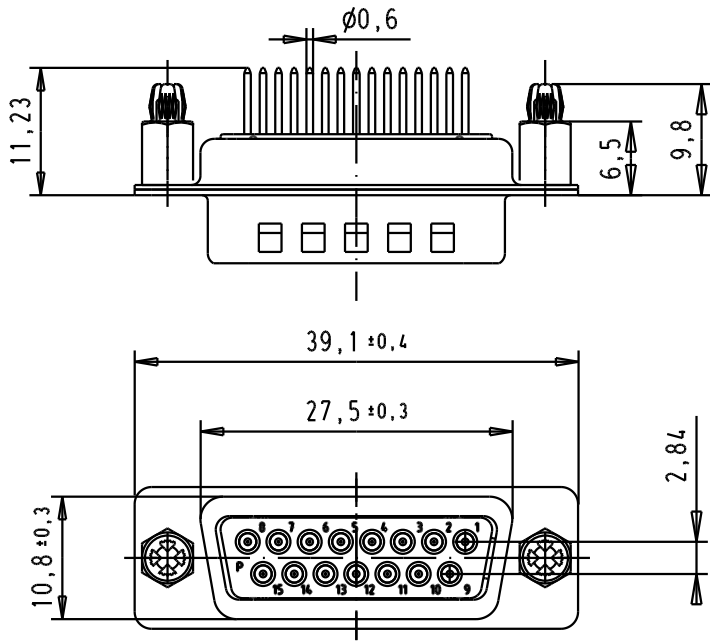
3

2

1



PCB Layout, Component side
PCB thickness 1,6 mm



SPECIFICATION

Mating Cycles	500
Filter type	C
Capacitance	47pf±20%
Working Voltage	100v
Current Rating	7,5A
Insulation Resistance	>1GΩ

FREQUENCY (MHz)	ATTENUATION dB
5	-
10	-
50	-
100	-
500	30dB
1000	35dB

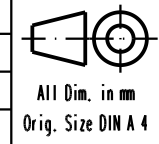
D

C

B

A

		Dat.	Name
Detail.	8- JUL -02	CV	
Insp.			
Stand.			



D-Sub, male, straight,
15 Poles, solder pins, tin
plated shell with dimples,
spacer nuts and board-locks

Mo?Mstob/
Scale
1.5:1

09642227216	M3	33267	17/11/05	JMDR
09642227215	UNC 4-40	31058	8- JUL -02	CV
Part number	Nut thread	Mod.	Dat.	Name

HARTING EURL
F-95972 Paris



TB 0964222721x
Sub.

Blatt/ Page
2 / 3