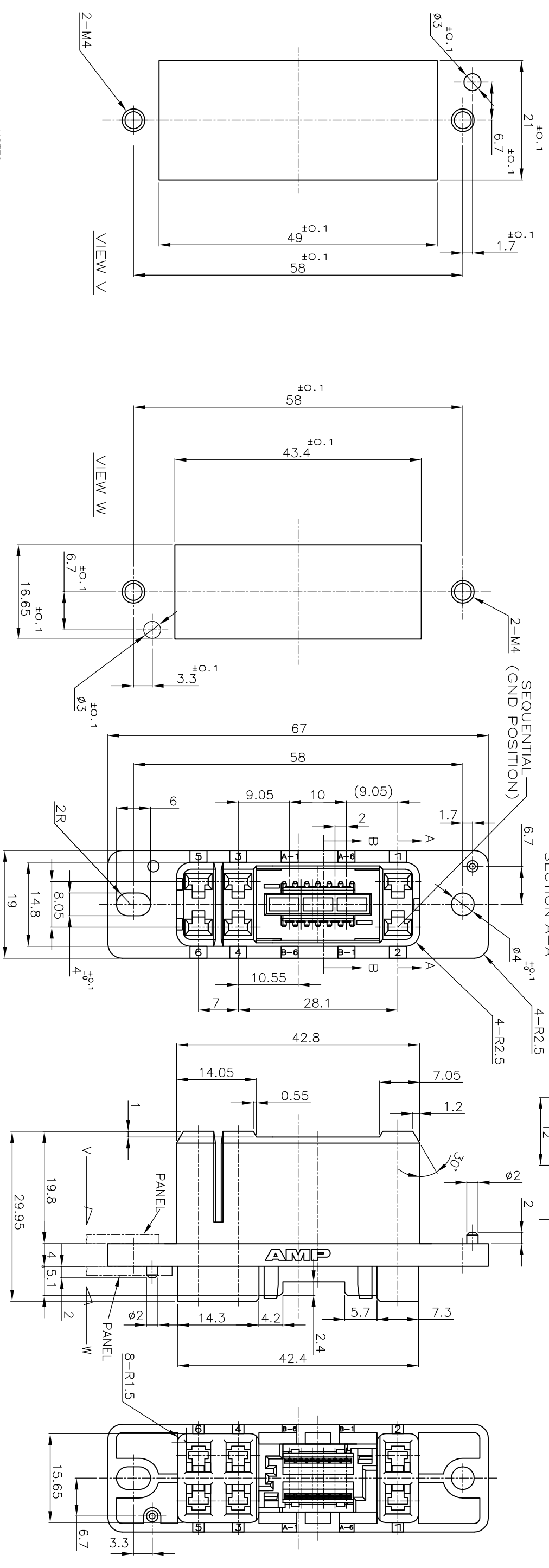


PANEL CUT DIMENSIONS



- NOTES
1. MATERIAL  
HOUSING: THERMO PLASTIC  
CONTACT: COPPER ALLOY
  2. CONTACT FINISH  
MATING SIDE: NICKEL PL. ALL OVER GOLD PL.  
CT MATING SIDE: NICKEL PL. ALL OVER MATTE TIN PL.
  3. APPLIED POWER CONTACT P/N
  4. APPLIED GND CONTACT P/N

FINISH	AWG	STRIP	LOOSE PIECE
GOLD PL.	#16~20	179316-4	
PL.	#20~24	179317-4	
TIN PL.	#16~20	1-179316-2	
PL.	#20~24	1-179317-2	

P: NUMBER OF POWER AND GND CONTACT (UNLOADED)  
 S: NUMBER OF SIGNAL CONTACT (PRELOADED)

LOC	DIST	REV	DESCRIPTION	DATE	BY	APP'D
ES	00					
B1		REVISED	ECR-06-021277	05SEP06	C.Z	S.Y

I.D.C TYPE	CRIMP TYPE	CRIMP P/N	POS	P/N
1-175133-2	173977-6	CRIMP: 1-179472-2 CONT: 179227-1 HSG: 179228-6	6-12	1-292186-2
APPLIED CT HOLDER P/N	APPLIED CTCONN P/N	APPLIED CT HOLDER P/N	MATING COUNTER P/N	

DIMENSIONS	TOLERANCES UNLESS OTHERWISE SPECIFIED	NAME
MM	±0.25	<b>tyco</b> Tyco Electronics Corporation Shanghai, P.R.China, 200233
	±0.3	
	±0.5	

APPROVED	PRODUCT SPEC	APPLICATION SPEC	SIZE	QAGE CODE	DRAWING NO	SCALE	SHEET	REV
T. SASAKI	108-60022		A2	00779	292186	2:1	1	B1
S. YAO								
J. JIANG								