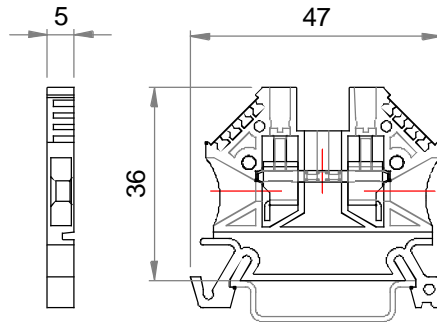


Part number description :

10134250-XXXLF

- ▶ LF: Lead Free, RoHs compliant, see note
- ▶ XXX : Color ref or/and version



Note : THIS PRODUCT MEETS EUROPEAN UNION DIRECTIVES AND OTHER COUNTRY REGULATIONS AS PER GS-47-0004

PN	Colour	Version
10134250-001LF	grey	
10134250-002LF	black	
10134250-003LF	blue	
10134250-004LF	brown	
10134250-005LF	yellow-green	
10134250-006LF	green	
10134250-007LF	yellow	
10134250-008LF	orange	
10134250-009LF	red	
10134250-010LF	white	

TECHNICAL DATA / DIMENSIONS

Dimensions	
Width mm	5.0
Length mm	47.0
Height mm	36.0
Mounting type (EN 60715)	Omega TH35
Technical data	
Maximum load current	24A
Insulating material	PA
Self-extinguishing degree acc. to UL94	V2
Rated surge voltage	8kV
Pollution degree	3
Surge voltage category	III
Insulating material group	I
Nominal Voltage	1000V
Nominal Current	24A
Connection data	
Conductor cross-section solid min/max	0.50 / 4 mm ²
Conductor cross-section stranded min/max	0.50 / 4 mm ²
AWG min/max	24-12AWG
Max conductor cross-section stranded with ferrule with plastic sleeve	2.5 mm ² / L=12 mm
Stripping length	max 9 mm
Screw	M2.6
Tightening torque	0,5Nm / 4. 0 Lb.-In

ACCESSORIES

Item	Description
Marking	
10134398-001LF	Blank single-digit marking tags
10134398-002LF ÷ 10134398-011LF	Printed single-digit marking tags numbered : 1÷0
10134398-012LF ÷ 10134398-041LF	Printed single-digit marking tags with letter: A÷Z
10134399-001LF	Marking tag adapter
10134400-001LF	Blank Marking tags

DIN RAIL system - Mounting and Installation material

10134392-001LF	Steel Omega Rail TH35x7,5mm -2mt length
10134393-001LF	Slotted Steel Omega Rail TH35x7,5mm -2mt length
10134394-001LF	Steel Omega Rail TH35x15mm -2mt length
10134395-001LF	Slotted Steel Omega Rail TH35x15mm -2mt length
10134387-001LF	Angled support bracket
10134389-001LF	End Bracket for TH35 Omega rail -Width 9mm
10134390-001LF	End Bracket for TH35 Omega rail -Width 6mm
10134391-001LF	Fast-snap End Bracket for TH35 Omega rail

Additional items

10134259-001LF	End Plate for SCREW Terminal Blocks 2,5/4
10134263-001LF	Separator for SCREW Terminal Blocks 2,5/4
10134273-001LF	Jumper bar 2 poles, pitch 5,1mm J2,5
10134273-002LF	Jumper bar 3 poles, pitch 5,1mm J2,5
10134273-003LF	Jumper bar 24 poles, pitch 5,1mm J2,5
10134271-001LF	Ratchet Cutting Tool for jumper bar J2,5 -orange
10134276-001LF	Red test plug adapter
10134276-002LF	Black test plug adapter

APPROVALS



RINA

AWG 24-12 - 600V - 20A

EN60947-7-1 2.5mm² - 1000V - 24A

spec ref	dir Aymeric Soucly 11-06-2015	projection	size A3	scale 1:1
tolerance std ISO 406 ISO 1101	eng Aymeric Soucly 11-06-2015			ecn no
surface <input checked="" type="checkbox"/> linear ISO 1302	chr			rel level
		appr Aymeric Soucly 11-06-2015	product family DIN Terminal Block	
		title SCREW Terminal block 2.5	dwg no 10134250	rev A
	www.fcj.com	cat. no.	Product customer drawing sheet 1 of 1	



Copyright FCJ