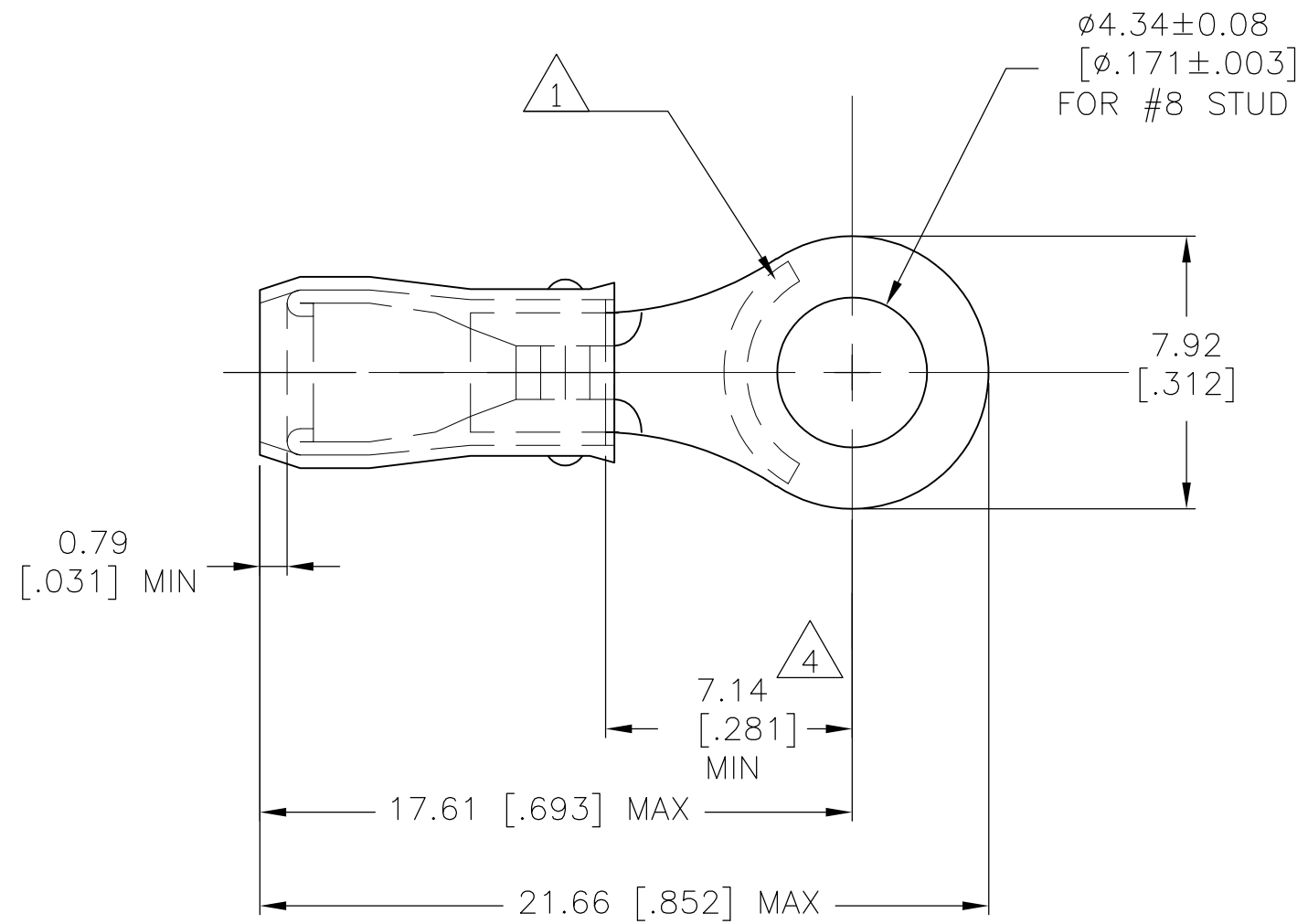


THIS DRAWING IS UNPUBLISHED. RELEASED FOR PUBLICATION  
 © COPYRIGHT BY TYCO ELECTRONICS CORPORATION. ALL RIGHTS RESERVED.

| LOC | DIST | REVISIONS |     |                       |         |     |      |
|-----|------|-----------|-----|-----------------------|---------|-----|------|
|     |      | P         | LTR | DESCRIPTION           | DATE    | DWN | APVD |
| G   | 14   |           | E1  | REV PER ECR 07-014387 | 19JUN07 | JR  | TM   |

- 1 STAMP AMP 18-16, APPROX AS SHOWN
- 2 WIRE INSULATION DIA IS 1.4-2.8mm [.055-.110] DIA
- 3 TONGUE MATERIAL THICKNESS IS 0.79±0.05 [.031±.002].
- 4 APPLIES FROM EDGE OF WIRE BARREL TO CENTER OF STUD HOLE.
- 5 MATERIAL: BODY - COPPER PER ASTM B-152 SLEEVE - NYLON
- 6 FINISH: BODY - TIN PLATE PER ASTM B-545 SLEEVE - COLOR, ORANGE



|      |              |          |
|------|--------------|----------|
| 1000 | LOOSE PIECE  | 152882   |
| QTY  | PACKAGE TYPE | PART NO. |

|  |  |   |  |   |                                 |  |               |            |               |
|--|--|---|--|---|---------------------------------|--|---------------|------------|---------------|
| AMP INCORPORATED<br>CUSTOMER SERVICE SYSTEMS                                     |  | MAX RECOMMENDED OPERATING TEMPERATURE:<br>105°C [221°F]   | THIS DRAWING IS A CONTROLLED DOCUMENT. |   | DWN<br>JR RUTH<br>19JUN2007     | Tyco Electronics Corporation<br>Harrisburg, PA 17105-3608    |               |            |               |
| FOR ADDITIONAL PRODUCT INFORMATION OR COPIES OF DRAWINGS AND TECHNICAL DOCUMENTS | PRODUCT INFORMATION CENTER<br>1-800-522-6752 | VOLTAGE RATING:<br>300 V MAX  | DIMENSIONS:<br>mm [INCHES]             | TOLERANCES UNLESS OTHERWISE SPECIFIED:  | CHK<br>T MICHELUTTI<br>19JUN07  | NAME<br>TERMINAL, RING TONGUE,<br>PIDG, WIRE SIZE: 18-16 AWG |               |            |               |
| FOR APPLICATION TOOLING INFORMATION  | TOOLING ASSISTANCE CENTER<br>1-800-722-1111  | CIRCULAR MIL AREA:<br>0.81-1.65mm² [1600-3260]<br>SOLID OR STRANDED   |  | 0 PLC ± -<br>1 PLC ± -<br>2 PLC ± 0.20 [.008]<br>3 PLC ± -<br>4 PLC ± -<br>ANGLES ± - | APVD<br>T MICHELUTTI<br>19JUN07 | APPLICATION SPEC   | RESTRICTED TO |            |               |
| FOR ORDER ENTRY  | 1-800-526-5142                               | THIS DRAWING IS A CONTROLLED DOCUMENT FOR AMP INCORPORATED. IT IS SUBJECT TO CHANGE AND THE CONTROLLING ENGINEERING ORGANIZATION SHOULD BE CONTACTED FOR THE LATEST REVISION. | MATERIAL                               | FINISH  | PRODUCT SPEC                    | SIZE   | CAGE CODE     | DRAWING NO | RESTRICTED TO |
|  |  |   | 5                                      | 6   | —                               | A3   | 00779         | G-152882   | —             |
| CUSTOMER DRAWING   |  |   |  |   | SCALE                           | 5:1  | SHEET         | 1 OF 1     | REV           |
|  |  |   |  |   | E1                              |  |               |            |               |