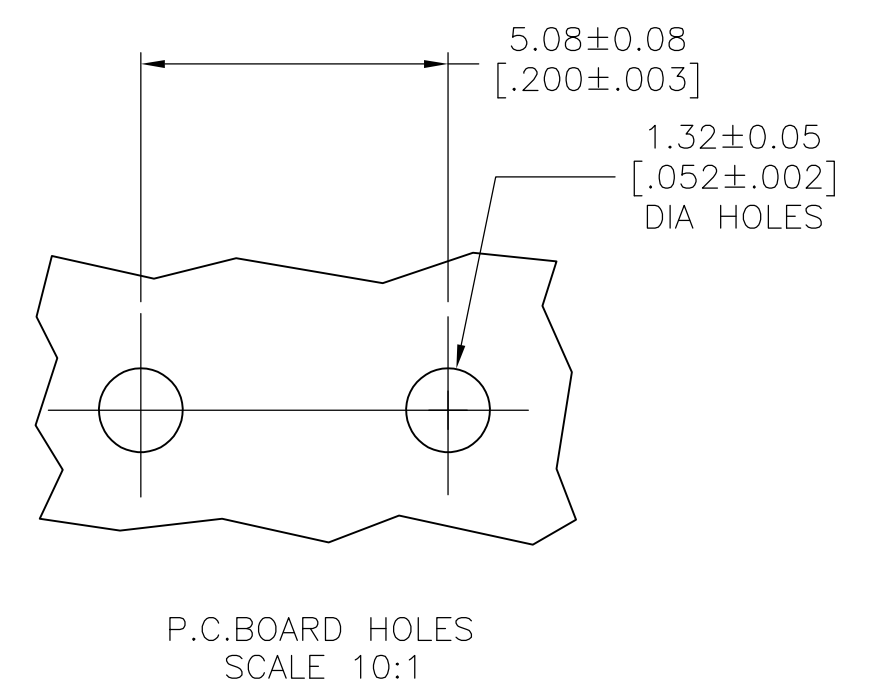
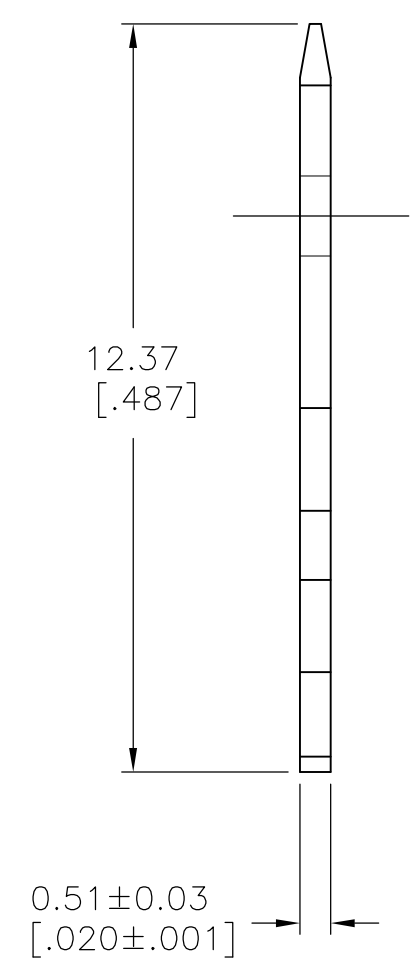
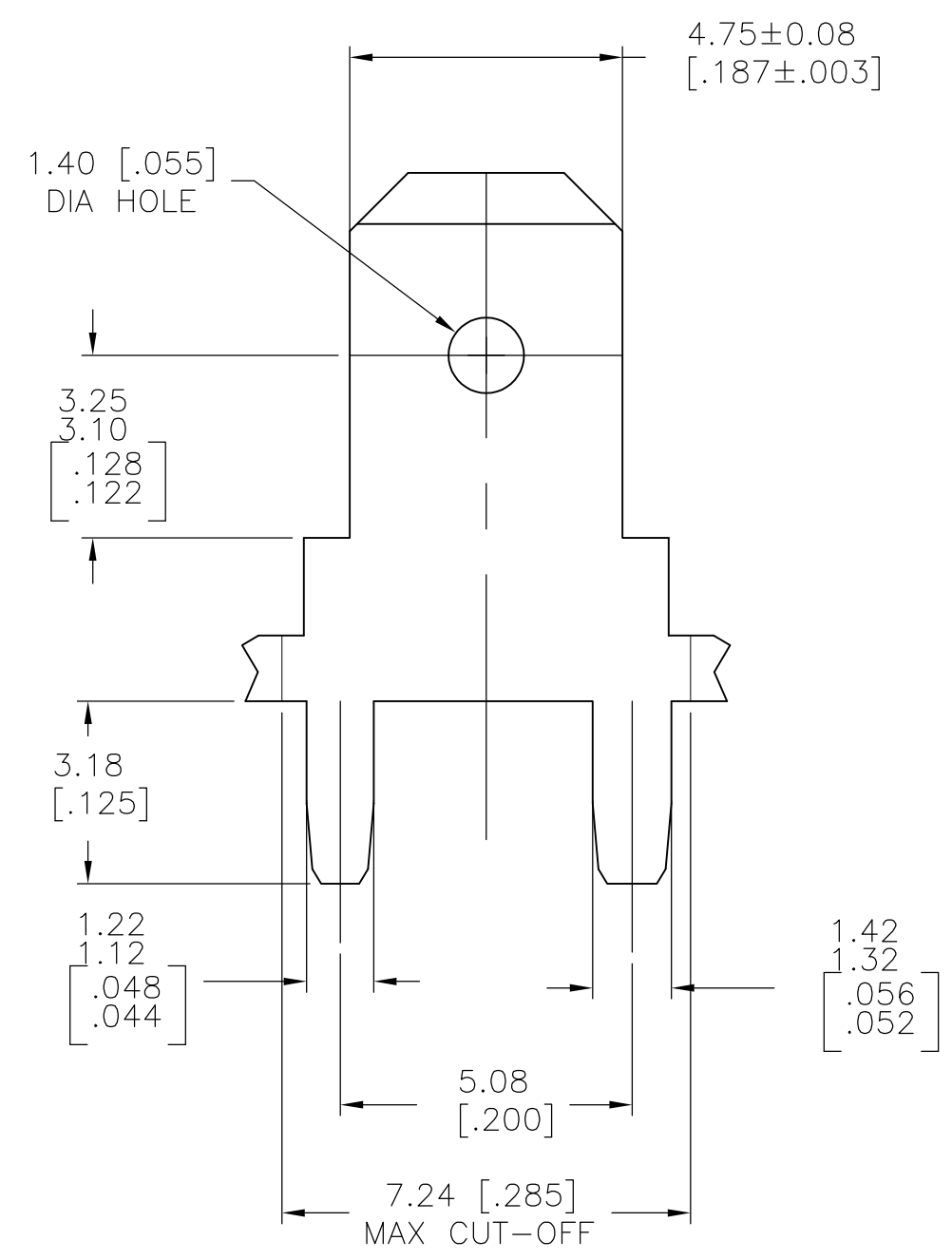


THIS DRAWING IS UNPUBLISHED. RELEASED FOR PUBLICATION
 © COPYRIGHT BY TYCO ELECTRONICS CORPORATION. ALL INTERNATIONAL RIGHTS RESERVED.

LOC	DIST	REVISIONS					
		P	LTR	DESCRIPTION	DATE	DWN	APVD
—	—						
		D1		REVISED PER ECO-09-009918	4/23/09	SS	PD

- CONTINUOUS STRIP ON REELS.
- 0.00381 [.000150] MIN TIN OVER
0.00254 [.000100] MIN THK COPPER.



63603-1
PART NUMBER

THIS DRAWING IS A CONTROLLED DOCUMENT.		DWN JR RUTH 30NOV00	Tyco Electronics Corporation Harrisburg, PA 17105-3608	
DIMENSIONS: MM IN [INCHES]		CHK MS FEHER 30NOV00	NAME	
TOLERANCES UNLESS OTHERWISE SPECIFIED: 0 PLC ± - 1 PLC ± - 2 PLC ± 0.25 [.010] 3 PLC ± - 4 PLC ± - ANGLES ± -		APVD G PORTA 30NOV00	TAB, FASTON, PC BOARD, 4.75 [.187] SERIES	
MATERIAL 082 BRASS	FINISH TIN OVER COPPER	PRODUCT SPEC —	APPLICATION SPEC —	RESTRICTED TO —
CUSTOMER DRAWING		WEIGHT —	SIZE A3	CAGE CODE 00779
		DRAWING NO G-63603		SCALE 8:1
		SHEET 1 OF 1		REV D1