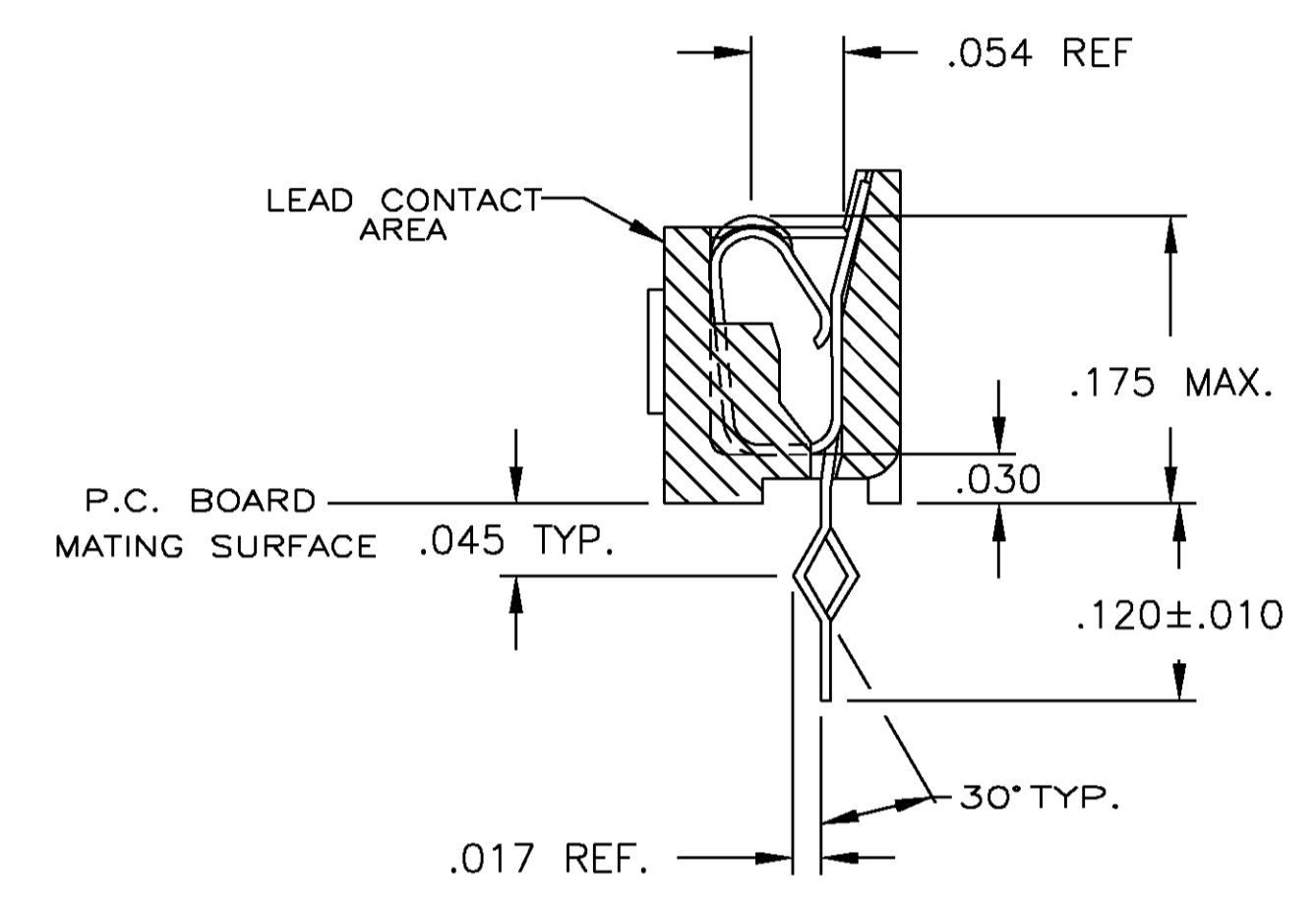
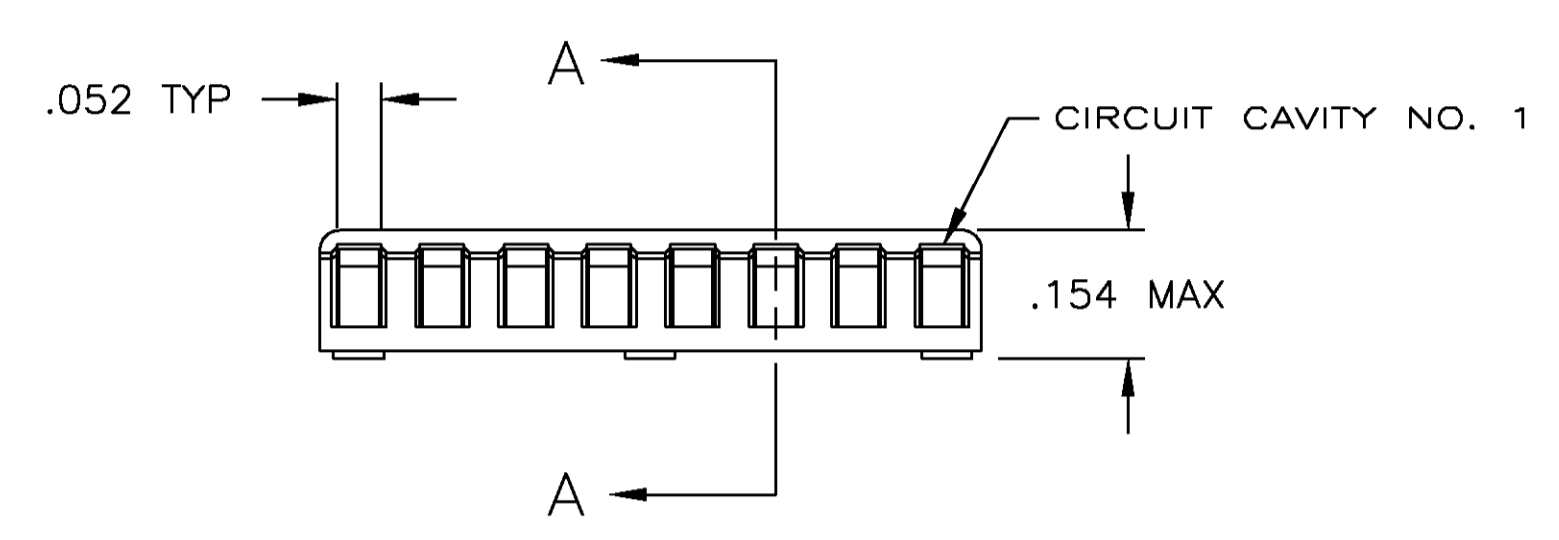
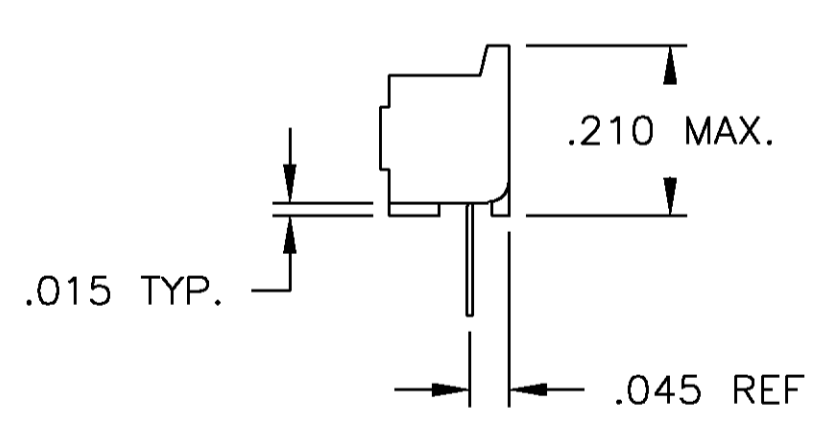
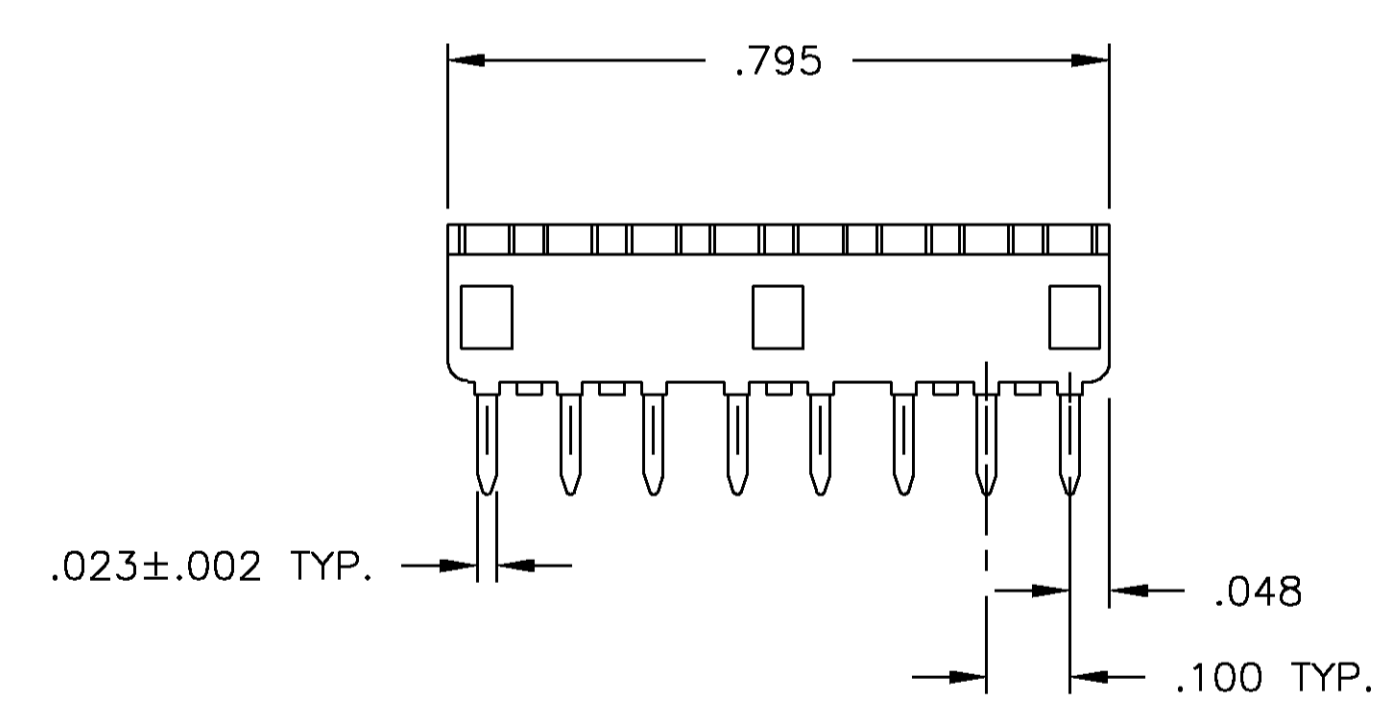


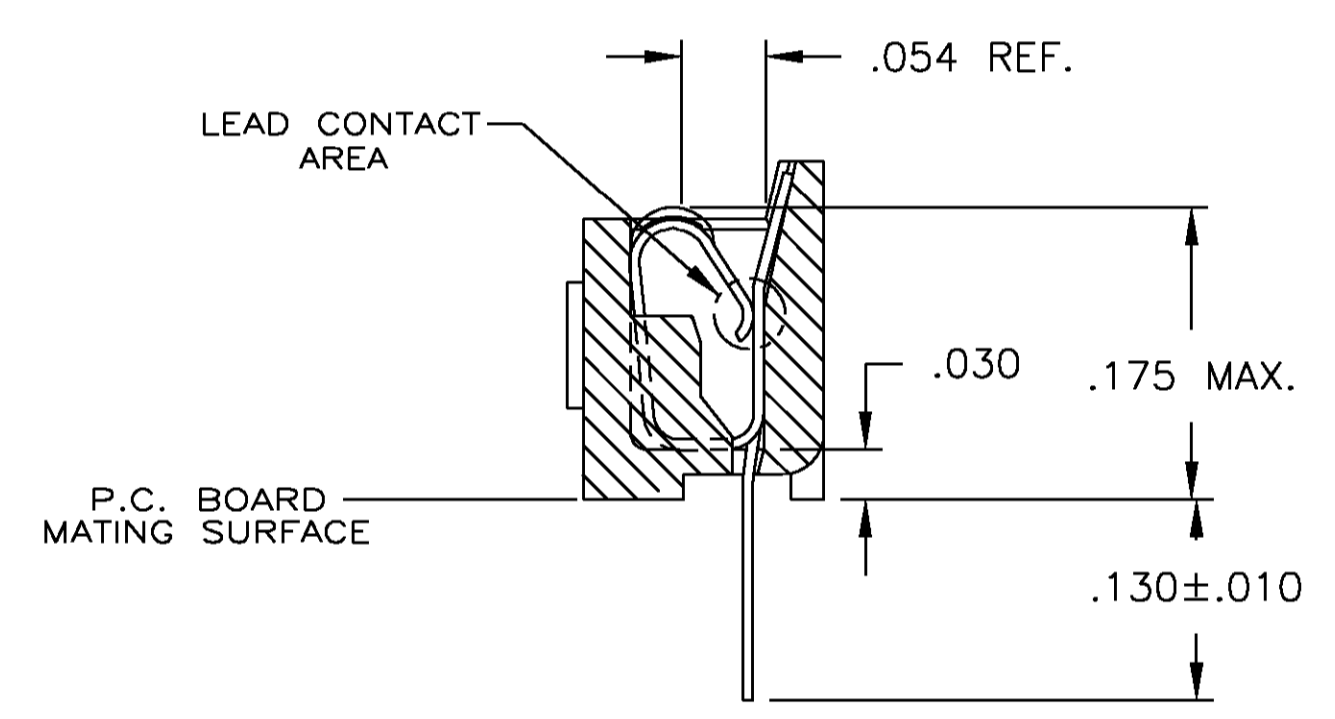
LOC		DIST		REVISIONS			
P	LN	REV	PER	DATE	BY	APPD	
M				24AUG00	BH	HW	



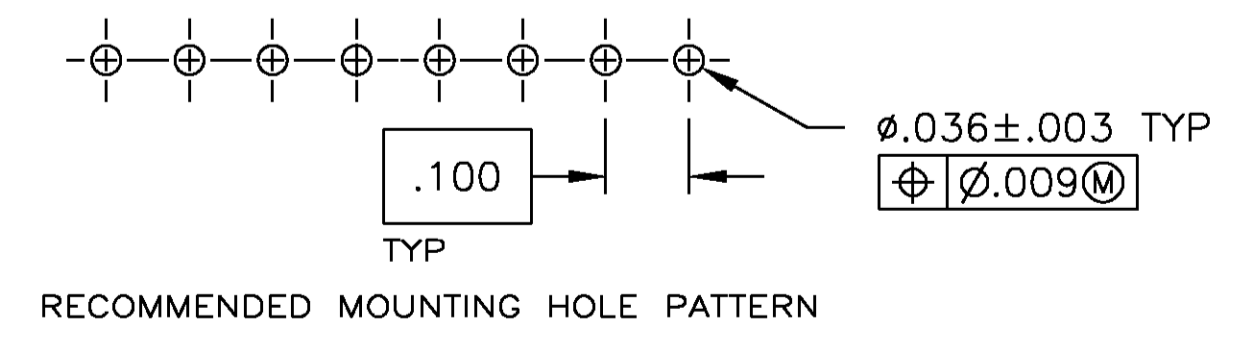
SECTION A-A
ROTATED 90° CW
SCALE 10:1
FOR -6, -7 & -8 ONLY



- RECEPTACLE ACCEPTS AN .008-.014 THK. I.C. LEAD.
- TWO .000030 MIN. THK. GOLD STRIPES IN CONTACT AREA, TIN-LEAD(93-7) ON CONTACT LEGS, BALANCE OF CONTACT NICKEL PLATED.
- TWO .000015 MIN. THK. GOLD STRIPES IN CONTACT AREA, TIN-LEAD(93-7) ON CONTACT LEGS, BALANCE OF CONTACT NICKEL PLATED.



SECTION A-A
ROTATED 90° CW
SCALE 10:1
FOR -1, -2 & -3 ONLY



CONTACT FINISH	CONTACT MAT'L	HOUSING MATERIAL	PART NO.
TINNED	PHOS.BRZ.	GLASS-FILLED THERMOPLASTIC, 94V-0, BLACK	643640-8
OB SOLETE	BE.CU.	GLASS-FILLED THERMOPLASTIC, 94V-0, BLACK	643640-7
TINNED	BE.CU.	GLASS-FILLED THERMOPLASTIC, 94V-0, BLACK	643640-6
SUPSD BY 643640-2	PHOS.BRZ.	GLASS-FILLED THERMOPLASTIC, 94V-0, BLACK	643640-4
OB SOLETE	PHOS.BRZ.	GLASS-FILLED THERMOPLASTIC, 94V-0, BLACK	643640-3
	BE.CU.	GLASS-FILLED THERMOPLASTIC, 94V-0, BLACK	643640-2
TINNED	BE.CU.	GLASS-FILLED THERMOPLASTIC, 94V-0, BLACK	643640-1

THIS DRAWING IS A CONTROLLED DOCUMENT.		DRW: M.CYRUS 8-14-84	AMP Tyco Electronics Corporation Harrisburg, PA 17105
		CR: N.JONES 7-3-84	
		APVD: J.GRAY 7-10-84	SOCKET ASSY, SIP, 8 POS, DIPLOMATE DL
		PRODUCT SPEC: 108-1066	
		APPLICATION SPEC: 114-1049	SIZE: A1 CAGE CODE: 00779 DRAWING NO: 643640
		WEIGHT: -	
MATERIAL: SEE TABLE		FINISH: SEE TABLE	RESTRICTED TO: -
		CUSTOMER DRAWING	SCALE: 5:1 SHEET 1 OF 1 REV M