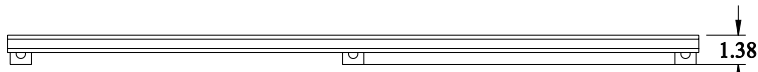
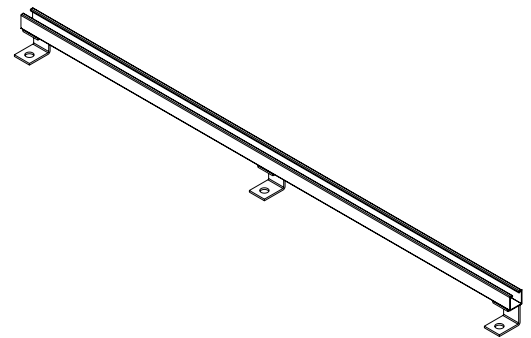


PART No. 18B336

for more information visit
www.hammsg.com

Data subject to change without notice

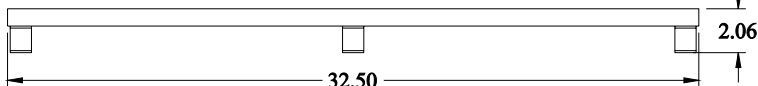
Isometric drawing Not to Scale



TOP VIEW

1.38

2.06

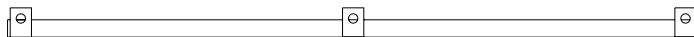


FRONT VIEW

32.50

LEFT VIEW

RIGHT VIEW



BOTTOM VIEW