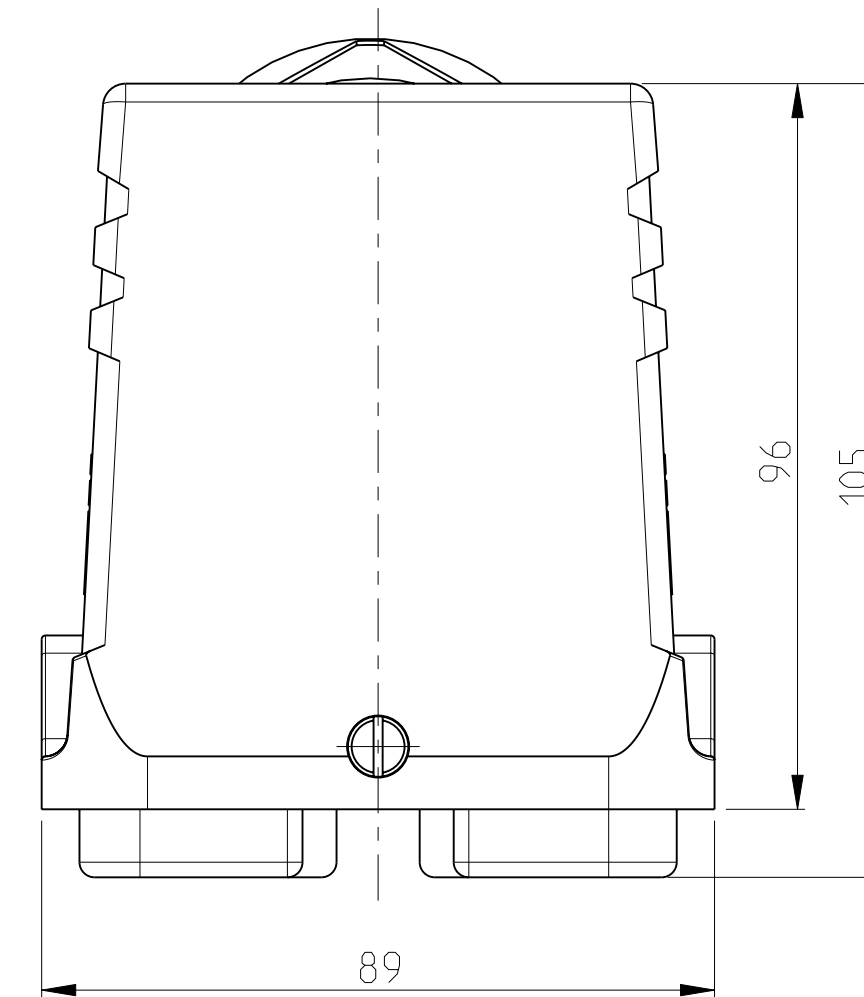
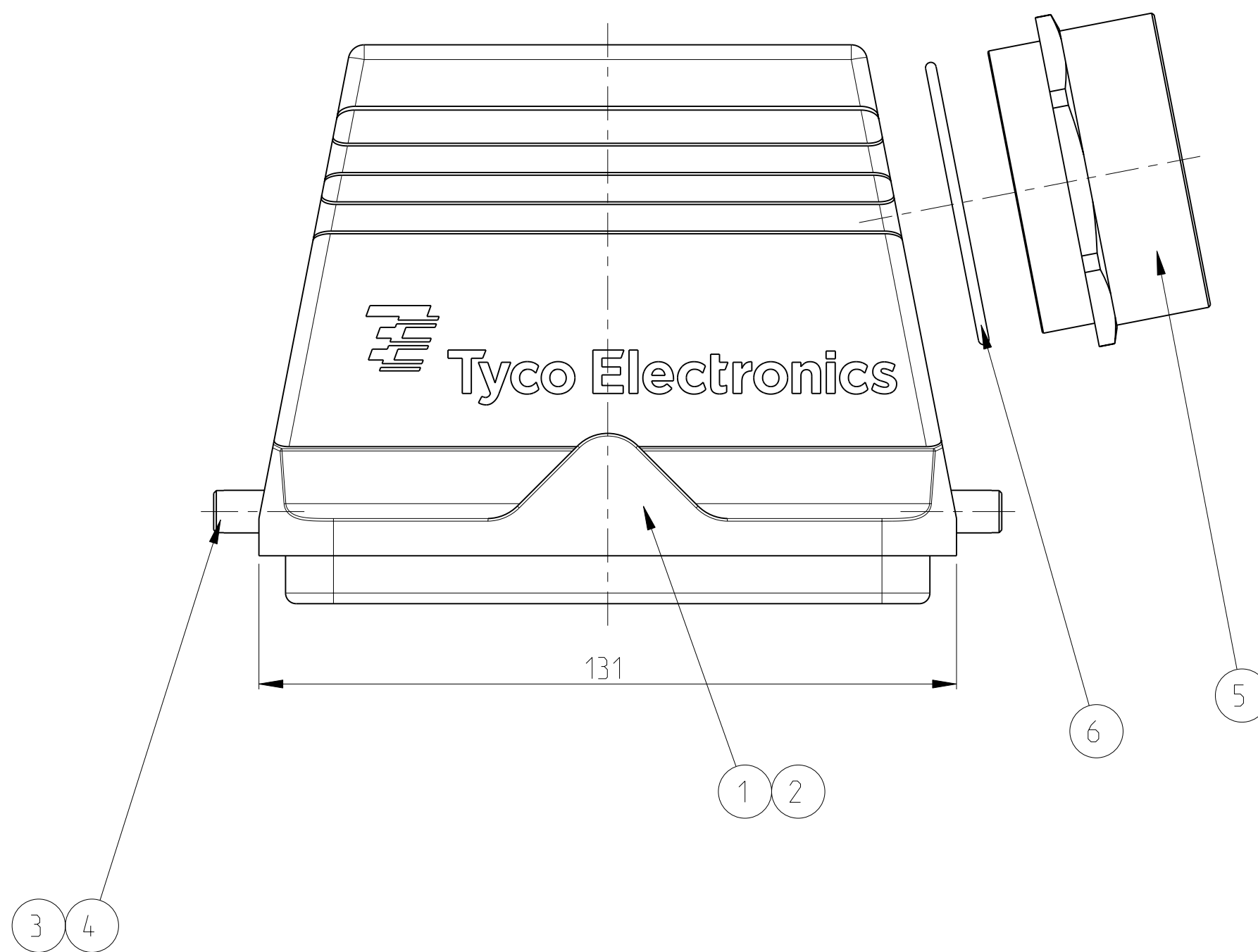


THIS DRAWING IS UNPUBLISHED. RELEASED FOR PUBLICATION 2006
 © COPYRIGHT 2006 BY TYCO ELECTRONICS CORPORATION. ALL RIGHTS RESERVED.

LOC		DIST		REVISIONS			
P	LTR	DESCRIPTION		DATE	DWN	APVD	
A3		RELEASED AS PER ECR-09-003532.		16.02.2009	AR	ST	

NOTES

- 1 PART SHALL BE FREE AND CLEAN OF BURRS AND OTHER FOREIGN MATERIAL
- 2 PACKAGING: QUANTITY 3 PIECES
- 3 VARNISHING INSIDE HOUSING NOT REQUIRED



QTY	DESCRIPTION	MATERIAL	SURFACE	COLOR	ITEM	NOTES	
1	O RING	NEOPRENE		BLACK	6	PG42	
1	ADAPTOR	BRASS	NICKEL PLATED	BLUE	5	PG42	
2	CLIP BOLT	V2A	BLANK		4		
2	CLIP BOLT	STAINLESS STEEL	ZINK PLATED	BLUE	3		
1	HOOD HB-K	ALU	ALUMINIUM OXID	BLACK	2		
1	HOOD HB	ALU		GREY	1		
2-7(A3)	1-7	DESCRIPTION	MATERIAL	SURFACE	COLOR	ITEM	NOTES
		HB.48.STS-GR.1.4.2.Z					
		HB-K.48.STS-GR.1.4.2.Z					

THIS DRAWING IS A CONTROLLED DOCUMENT FOR TYCO ELECTRONICS CORPORATION. IT IS SUBJECT TO CHANGE AND THE CONTROLLING ENGINEERING ORGANIZATION SHOULD BE CONTACTED FOR THE LATEST REVISION.

DWN: R.SCHNEIDER 27OCT2008
 CHK: T.SCHNURPFEL 27OCT2008
 APVD: -

tyco Electronics AMP GmbH
 53757 Sankt Augustin (Germany)

NAME: HOOD HB.48
 HB.STS.48

SIZE: A2 CAGE CODE: 00779 DRAWING NO: 1102378 RESTRICTED TO: -

MATERIAL: - DIMENSIONS: mm TOLERANCES UNLESS OTHERWISE SPECIFIED: 0 PLC ±- 1 PLC ±- 2 PLC ±- 3 PLC ±- 4 PLC ±- ANGLES ±1° FINISH: - WEIGHT: - SCALE: 1:1 SHEET 1 OF 1 REV A3