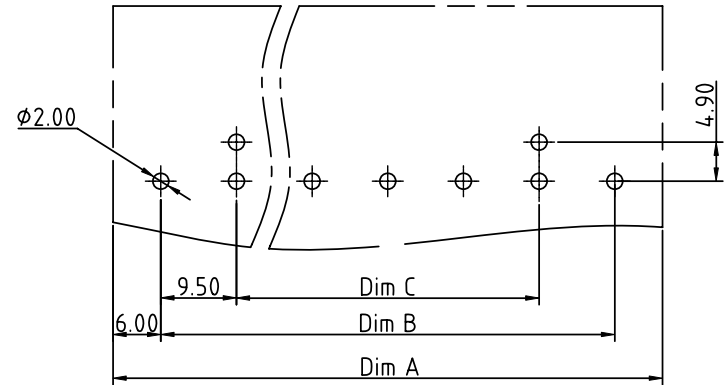
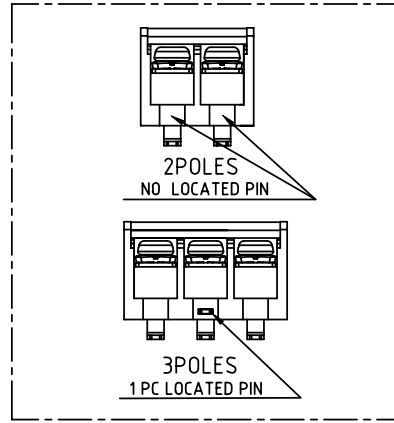
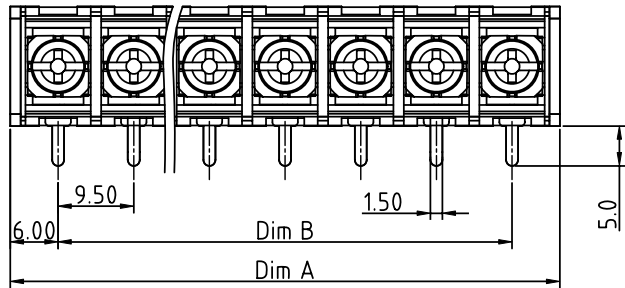
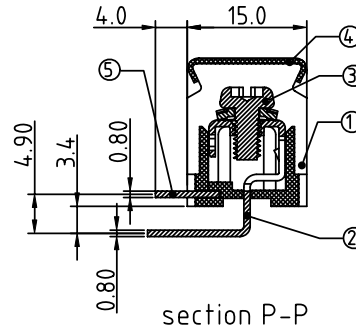
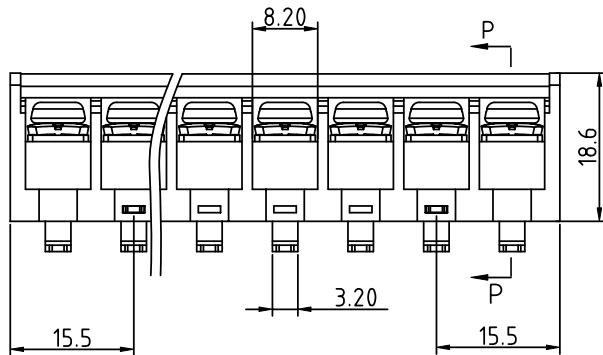


PRODUCT NUMBER	PITCH
YK50Axx2x0J0G	9.50 mm



RECOMMENDED P.C.B LAYOUT  
TOP VIEW



- MATERIALS & ELECTRICAL**
- |                             |                                     |
|-----------------------------|-------------------------------------|
| RATED VOLTAGE & CURRENT:    | 300 V, 30 A                         |
| WITHSTAND VOLTAGE:          | AC 2000 V/Min                       |
| INSULATION RESISTANCE:      | 1000 M $\Omega$ OR MORE AT DC 500 V |
| OPERATING TEMPERATURE RANG: | -40 °C ~ +115 °C                    |
| SCREW TORQUE VALUE:         | 7.0Lb-In                            |
| WIRE RANGE:                 | 22 - 10AWG                          |
| 1) HOUSING:                 | Thermoplastic, UL 94 V-0 BLACK      |
| 2) TERMINAL:                | BRASS, 0.8t                         |
| 3) TERMINAL SCREWS:         | STEEL, M3.5                         |
| 4) COVER MATERIAL:          | PC                                  |
| 5) LOCATED PIN :            | BRASS, 0.8t,                        |
- APPROVAL: us

DIMENSION

Dim A	Nx9.5+2.5
Dim B	(N-1)x9.5

N=Number of poles

Poles	Tolerance
2p-4p	$\pm 0.20$
5p-10p	$\pm 0.30$
11p-18p	$\pm 0.40$

PART NO.: YK 50Axx 2 x 0 J0G

- No. of poles
- 02 2 poles
  - 03 3 poles
  - ... ..
  - 18 18 poles

Code	Terminal	Screw	LOCATED PIN
0	G/F	G/F	G/F
1	G/F	Zinc	G/F
2	Tin	G/F	Tin
3	Tin	Zinc	Tin

Plated  
RoHS compliant (lead<4%)  
In copper Alloy

mat'l. code		surface ASME Y14.5	tolerance ASME Y14.5	projection 	product family TERMINAL BLOCK
ltr	ecn no	dr	date	tolerances unless otherwise specified	title TERMINAL BLOCK
				angles $\frac{0}{\phi}$	BARRIER TYPE, WITH COVER
				X $\pm 1^{\circ}$	scale
				dr EVAN LU 061014	dwg no
				enr EVAN LU 061014	sheet 1 of 1
				chr HANKE FENG 061014	size A4
				appd SHI JUN 061014	YK50Axx2x0J0G
					type CUSTOMER Drawing
sheet index	revision sheet	A	1		