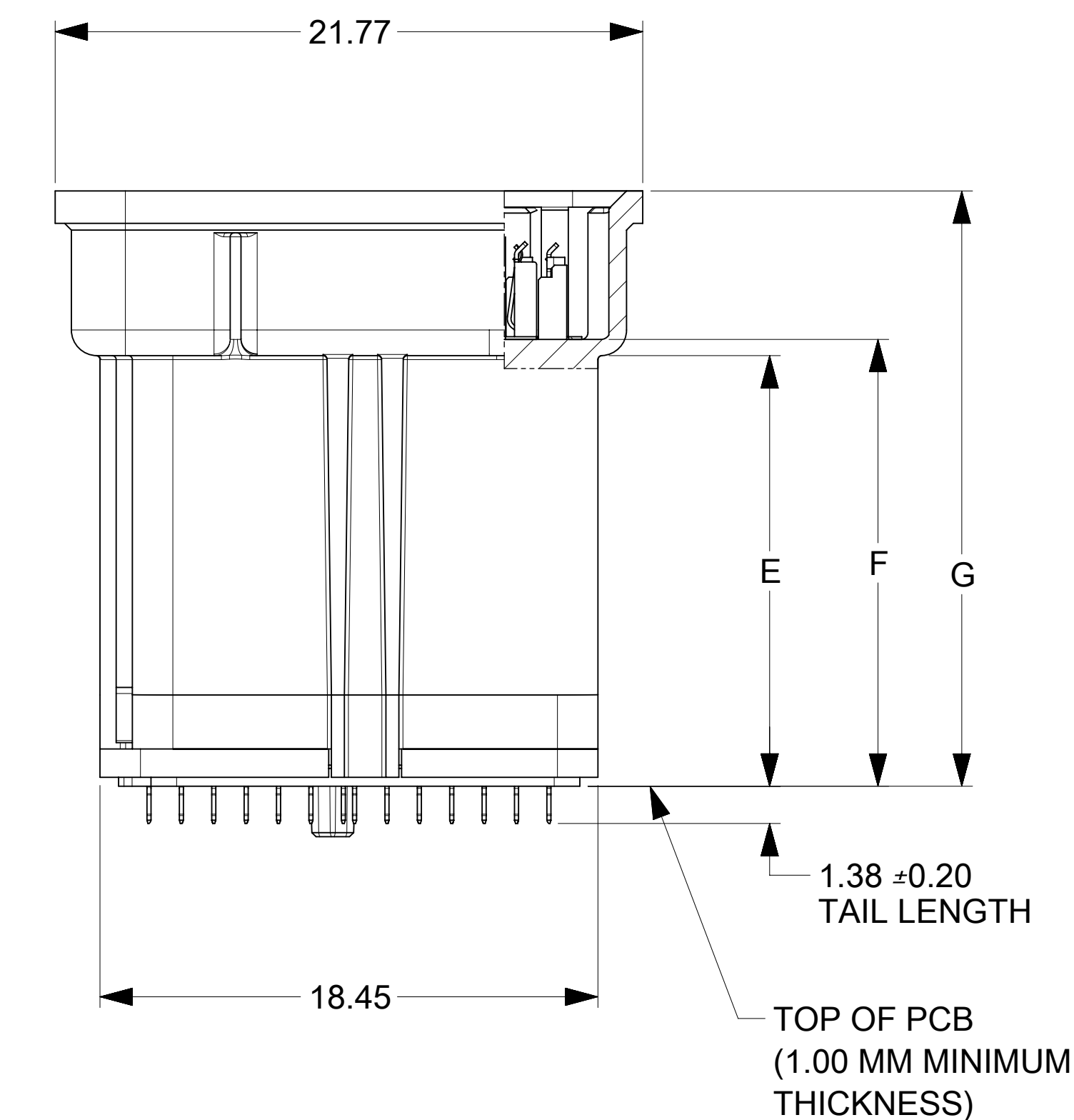
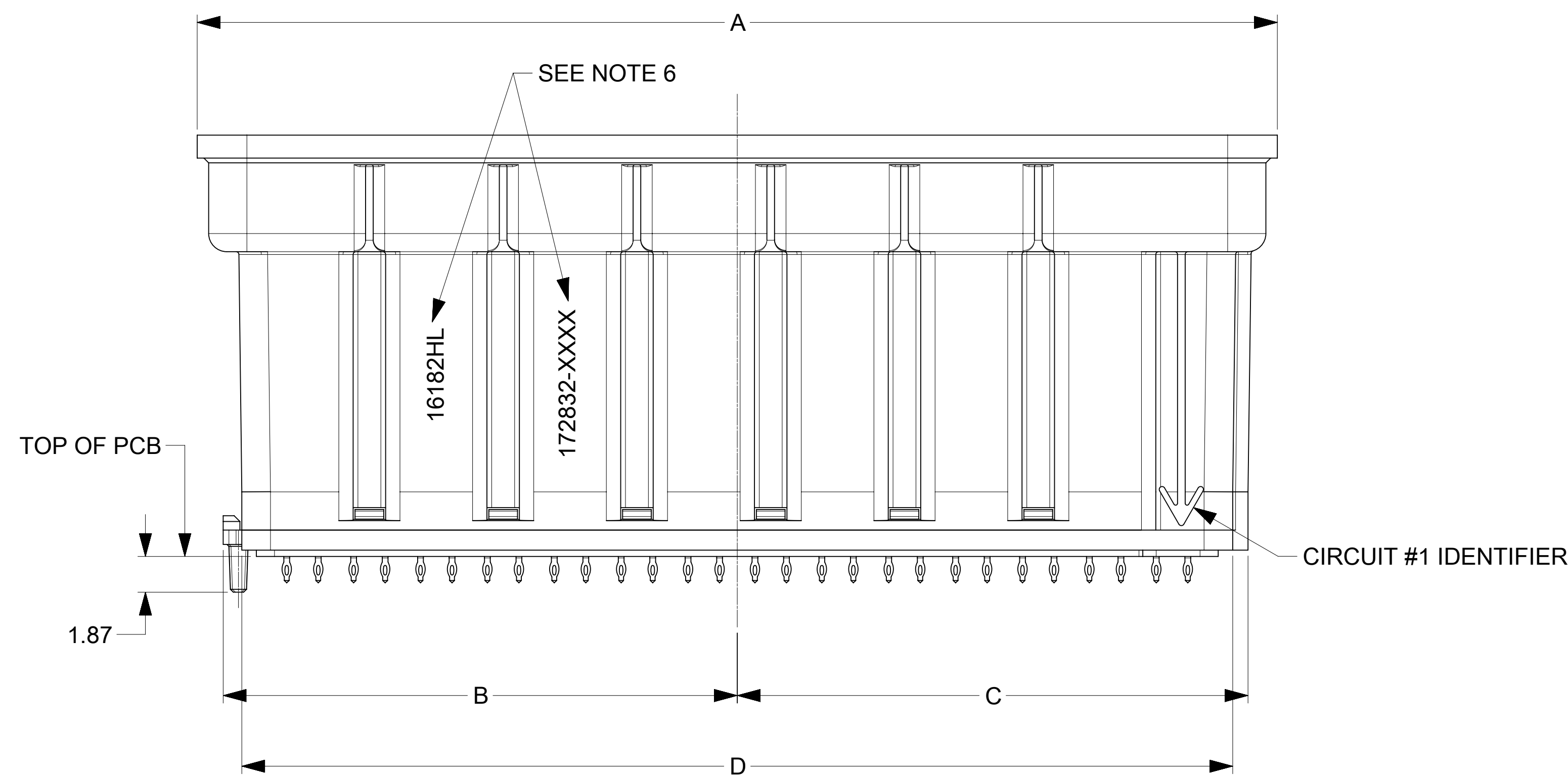
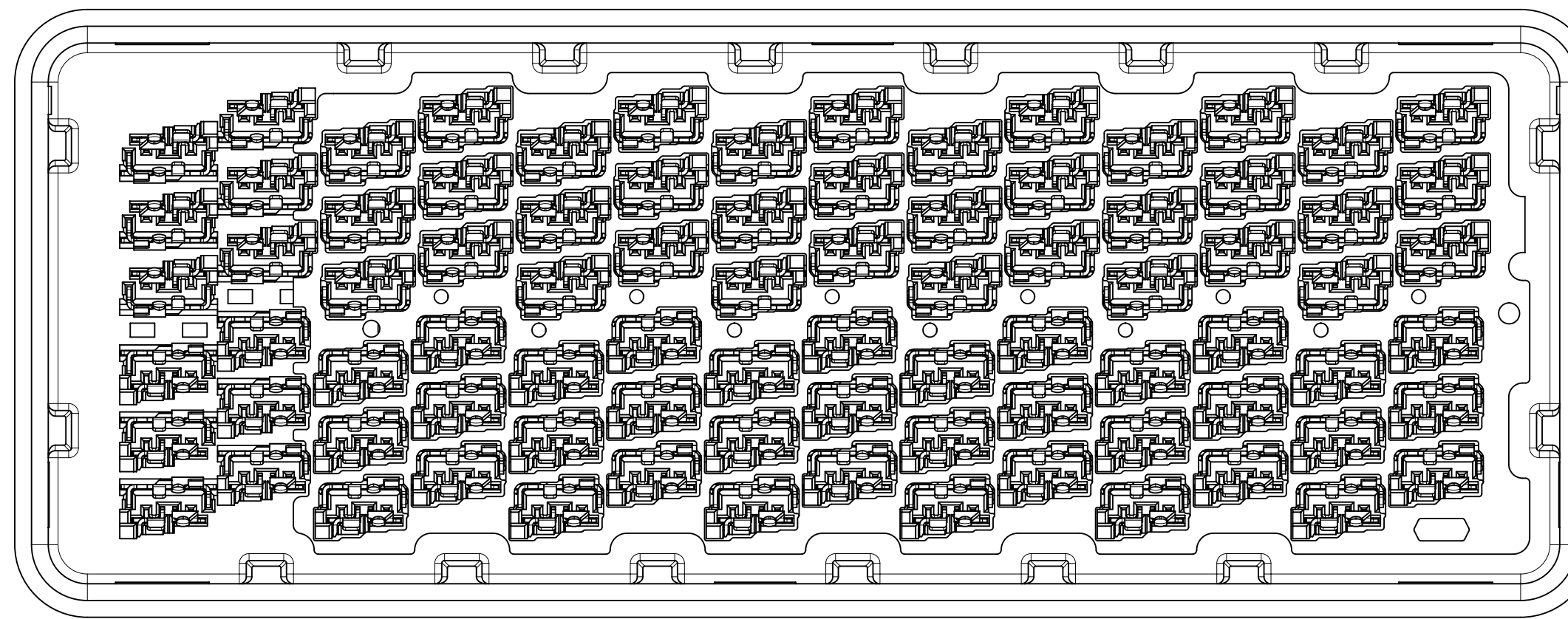


172832-0009 RECEPTACLE ASSEMBLY SHOWN

NOTES:

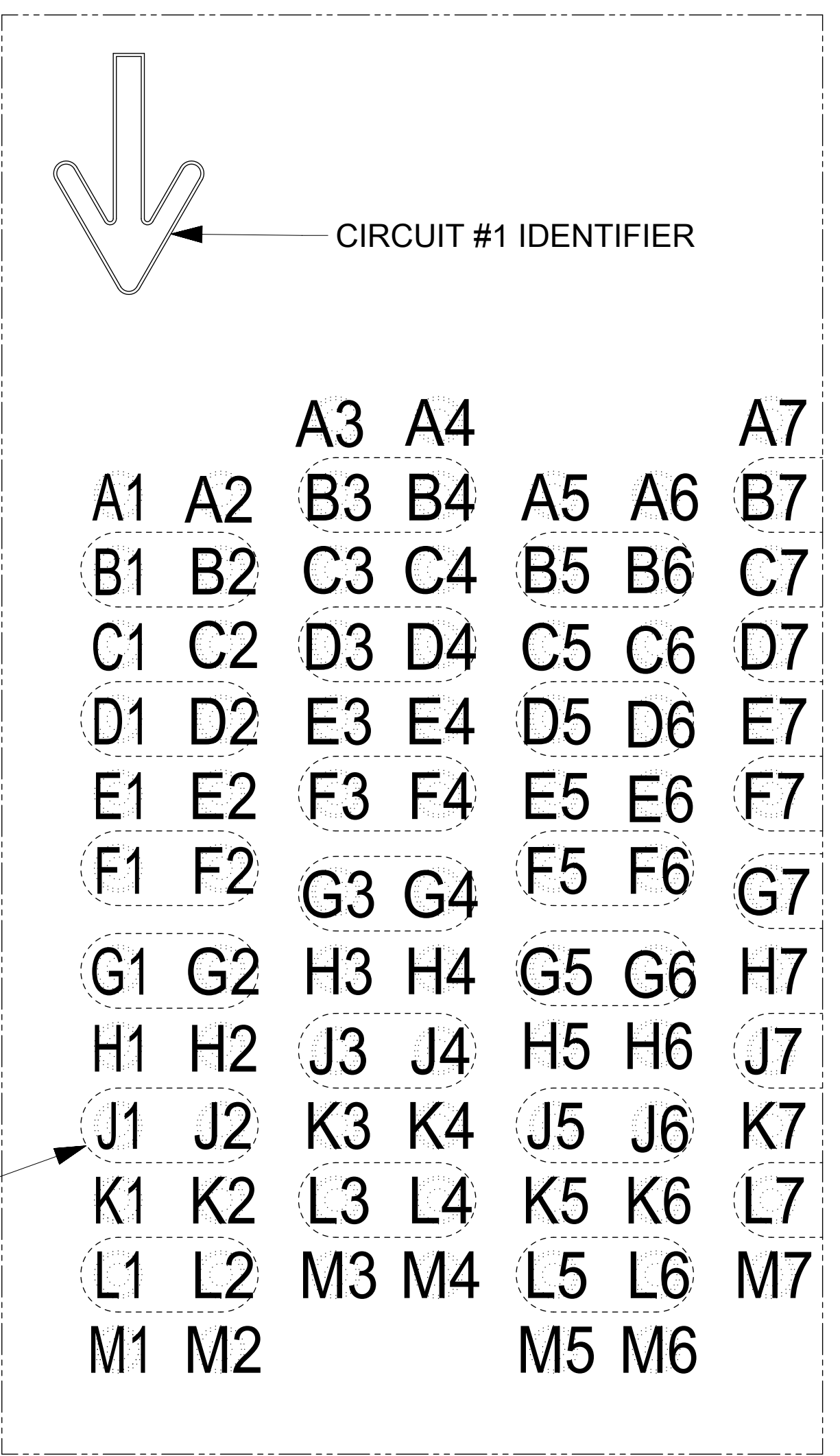
- HOUSING MATERIAL: LCP, GLASS FILLED, UL 94V-0, BLACK
CONTACT MATERIAL: HIGH PERFORMANCE COPPER ALLOY
- FINISH:
CONTACTS: SELECTIVE GOLD: 30 MICRO INCHES MINIMUM ON CONTACT AREA
SELECTIVE TIN ON COMPLIANT PIN OVER 50 MICRO INCHES MINIMUM
NICKEL OVERALL
- PRODUCT SPECIFICATION: PS-172801-0001
- PACKAGING SPECIFICATION: PK-173358-0001
- APPLICATION SPECIFICATION: AS-172801-0001
- PARTS TO BE MARKED WITH THE PART NUMBER AND DATE CODE.
FORMAT IS 2 DIGIT YEAR, 3 DIGIT DAY, 1 DIGIT HOUR (IF NEEDED), AND
ONE DIGIT ASSEMBLY LINE (IF NEEDED) BY MARKING THE HOUSING AS SHOWN.
- THIS PART CONFORMS TO CLASS B REQUIREMENTS OF
MOLEX COSMETIC SPEC. PS-45499-002



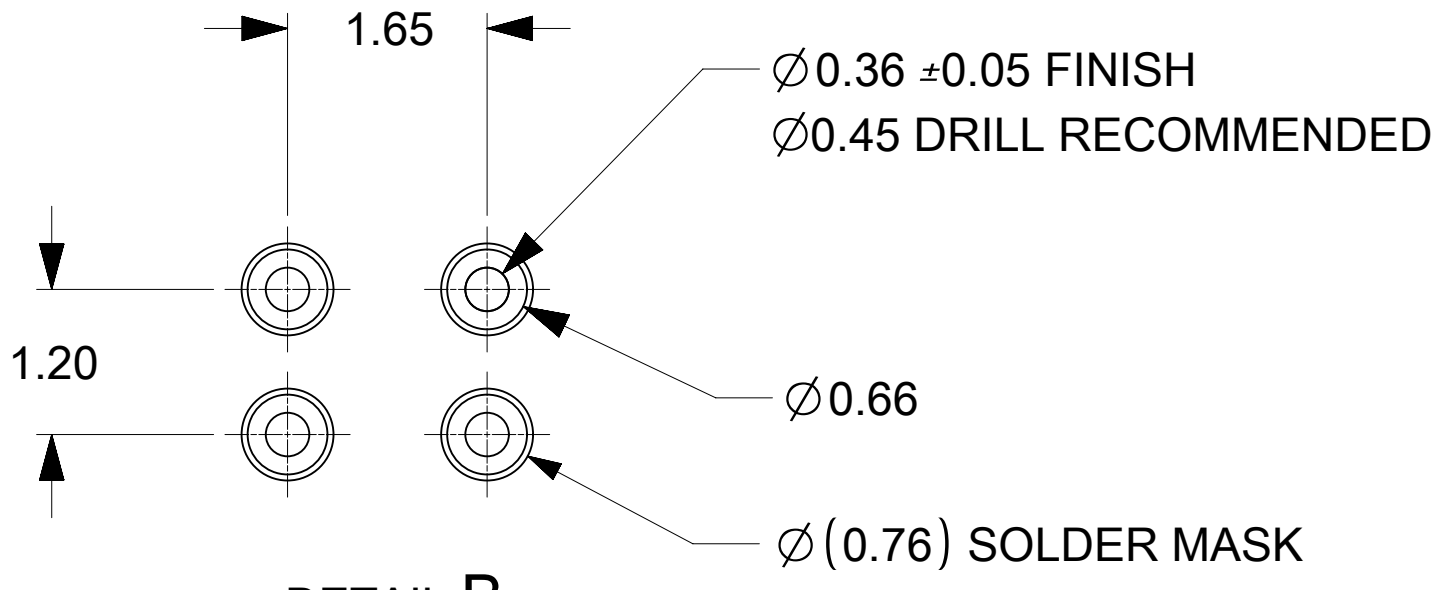
| MATERIAL NUMBER | HEIGHT | NO. OF COLUMNS | DIM A | DIM B | DIM C | DIM D | DIM E | DIM F | DIM G | LOCATING PEG | TOOLED | MATES TO |
|-----------------|--------|----------------|-------|-------|-------|-------|-------|-------|-------|--------------|--------|-------------------------|
| 1728320001 | 13.5 | 14 | 56.52 | 26.90 | 26.73 | 51.85 | 10.95 | 11.55 | 17.05 | NO | YES | 1728010001 |
| 1728320005 | 18.5 | 10 | 42.52 | 19.90 | 19.73 | 37.85 | 15.95 | 16.55 | 22.05 | PRESENT | YES | 1728010005 & 1728010006 |
| 1728320009 | 18.5 | 14 | 56.52 | 26.90 | 26.73 | 51.85 | 15.95 | 16.55 | 22.05 | PRESENT | YES | 1728010009 |
| 1728320013 | 18.5 | 16 | 63.52 | 30.40 | 30.23 | 58.85 | 15.95 | 16.55 | 22.05 | PRESENT | YES | 1728010013 |
| 1728320017 | 13.5 | 8 | 35.52 | 16.40 | 16.23 | 30.85 | 10.95 | 11.55 | 17.05 | NO | NO | 1728010017 |
| 1728320018 | 18.5 | 12 | 49.52 | 23.40 | 23.23 | 44.85 | 15.95 | 16.55 | 22.05 | PRESENT | NO | 1728010018 & 1733630009 |
| 1728320019 | 14.5 | 12 | 49.52 | 23.40 | 23.23 | 44.85 | 11.95 | 12.55 | 18.05 | PRESENT | NO | 1728010018 & 1733630009 |
| 1728320021 | 21.5 | 10 | 42.52 | 19.90 | 19.73 | 37.85 | 18.95 | 19.55 | 25.05 | PRESENT | NO | 1728010005 & 1728010006 |
| 1728320022 | 23.5 | 10 | 42.52 | 19.90 | 19.73 | 37.85 | 20.95 | 21.55 | 27.05 | PRESENT | NO | 1728010005 & 1728010006 |
| 1728320023 | 20.5 | 10 | 42.52 | 19.90 | 19.73 | 37.85 | 17.95 | 18.55 | 24.05 | PRESENT | NO | 1733630011 |
| 1728320024 | 18.5 | 20 | 77.52 | 37.40 | 37.23 | 72.85 | 15.95 | 16.55 | 22.05 | PRESENT | NO | 1728010021 |
| 1728320025 | 18.5 | 25 | 95.02 | 46.15 | 45.98 | 90.35 | 15.95 | 16.55 | 22.05 | PRESENT | NO | 1728010022 |
| 1728320026 | 18.5 | 6 | 28.52 | 12.90 | 12.73 | 23.85 | 15.95 | 16.55 | 22.05 | PRESENT | NO | 1733630012 |
| 1728320034 | 18.5 | 16 | 63.52 | 30.40 | 30.23 | 58.85 | 15.95 | 16.55 | 22.05 | PRESENT | YES | 1728010035 |
| 1728320036 | 18.5 | 14 | 56.52 | 26.90 | 26.73 | 51.85 | 15.95 | 16.55 | 22.05 | PRESENT | YES | 1728010037 |

| | | | | | | |
|-------------------------------------------------------------------------------------------------------------------------------------------------------------------------------------------------------------------------------------------------------------------------------------------------|-----------------------------------------------------------------------------------------------------------------------------------------------|--|-------------------------------------------------------|--|--------------------------|---------------------------------------------------|
| SYMBOLS DIMENSION UNITS: mm SCALE: 5:1 GENERAL TOLERANCES (UNLESS SPECIFIED): ANGULAR TOL: ± 0.5° 4 PLACES: ± 3 PLACES: ± 2 PLACES: ± 0.15 1 PLACE: ± 0 PLACES: ± DRAFT WHERE APPLICABLE MUST REMAIN WITHIN DIMENSIONS THIRD ANGLE PROJECTION E-SIZE | THIS DRAWING CONTAINS INFORMATION THAT IS PROPRIETARY TO MOLEX ELECTRONIC TECHNOLOGIES, LLC AND SHOULD NOT BE USED WITHOUT WRITTEN PERMISSION | | CURRENT REV DESC: REVISED KEEP OUT ZONE ON SHEET 2 | | | |
| | EC NO: 174569 | | 2018/04/03 | | | NEOPRESS 6 ROW RECEPTACLE ASSY 100 OHM 100 OHM |
| | DRWN: TPREMO | | 2018/01/17 | | | |
| | CHK'D: KPELOZA | | 2018/04/05 | | PRODUCT CUSTOMER DRAWING | |
| | APPR: KLANG | | INITIAL REVISION: | | DOCUMENT NUMBER | |
| | DRWN: GMINNICK | | 2017/04/21 | | 1728320002 | |
| | APPR: KLANG | | 2017/07/31 | | DOC TYPE: PSD | |
| | SERIES: 172832 | | MATERIAL NUMBER | | DOC PART: 000 | |
| | SEE TABLE | | CUSTOMER | | REVISION: D | |
| | GENERAL MARKET | | SHEET NUMBER | | 1 OF 2 | |

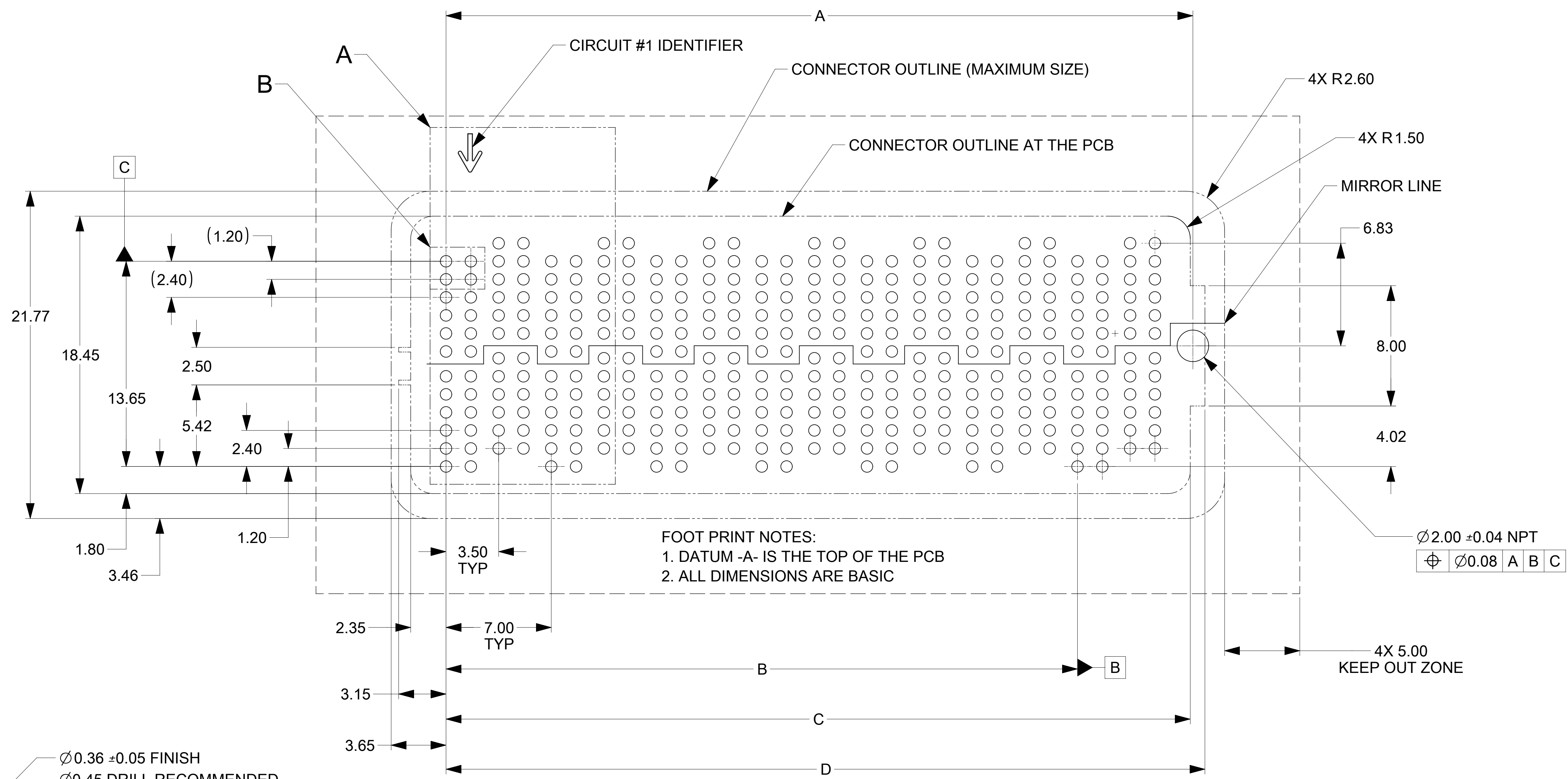
CIRCLED VIAS ARE CONNECTED TO THE SAME SHIELD TERMINAL. ALSO, ALL SHIELD VIAS ARE ELECTRICALLY INTERCONNECTED INSIDE THE CONNECTOR. (SEE CHART FOR EXCEPTIONS FOR POWER TERMINALS*. THE LOW SPEED TRIADS SHIELD TERMINALS MUST BE USED FOR GROUNDS ONLY AND MAY BE CONNECTED TO OTHER SHIELDS IN THIS CONNECTOR EXCEPT THE ELECTRICALLY ISOLATED SHIELDS).



DETAIL A
SCALE 12:1
NUMBERING SCHEME



DETAIL B
SCALE 16:1
(ALL DIMENSIONS ARE TYP)



FOOT PRINT NOTES:
1. DATUM -A- IS THE TOP OF THE PCB
2. ALL DIMENSIONS ARE BASIC

FOOT PRINT 6X14 SHOWN

| MATERIAL NUMBER | NO. OF COLUMNS | DIM A | DIM B | DIM C | DIM D | ELECTRICALLY ISOLATED SHIELDS * | LOW SPEED TRIADS * |
|-----------------|----------------|-------|-------|-------|-------|----------------------------------------------------------------------------------------------------------------------------------------------------------------------------------|------------------------------------------------------------|
| 1728320001 | 14 | N/A | 42.00 | 49.50 | 50.48 | COLUMN 14: B27,B28,D27,D28,F27,F28,G27,G28,J27,J28,L27,L28 | COLUMN 13: B25,B26,D25,D26,F25,F26,G25,G26,J25,J26,L25,L26 |
| 1728320005 | 10 | 35.68 | 28.00 | 35.50 | 36.48 | N/A | N/A |
| 1728320009 | 14 | 49.68 | 42.00 | 49.50 | 50.48 | COLUMN 14: B27,B28,D27,D28,F27,F28,G27,G28,J27,J28,L27,L28 | COLUMN 13: B25,B26,D25,D26,F25,F26,G25,G26,J25,J26,L25,L26 |
| 1728320013 | 16 | 56.68 | 49.00 | 56.50 | 57.48 | N/A | N/A |
| 1728320017 | 8 | N/A | 21.00 | 28.50 | 29.48 | N/A | N/A |
| 1728320018 | 12 | 42.68 | 35.00 | 42.50 | 43.48 | N/A | N/A |
| 1728320019 | 12 | 42.68 | 35.00 | 42.50 | 43.48 | N/A | N/A |
| 1728320021 | 10 | 35.68 | 28.00 | 35.50 | 36.48 | N/A | N/A |
| 1728320022 | 10 | 35.68 | 28.00 | 35.50 | 36.48 | N/A | N/A |
| 1728320023 | 10 | 35.68 | 28.00 | 35.50 | 36.48 | N/A | N/A |
| 1728320024 | 20 | 70.68 | 63.00 | 70.50 | 71.48 | COLUMN 19: B37,B38,D37,D38,F37,F38,G37,G38,J37,J38,L37,L38 COLUMN 20: B33,B40,D39,D40,F39,F40,G39,G40,J39,J40,L39,L40 | COLUMN 18: B35,B36,D35,D36,F35,F36,G35,G36,J35,J36,L35,L36 |
| 1728320025 | 25 | 88.18 | 80.50 | 88.00 | 88.98 | N/A | N/A |
| 1728320026 | 6 | 21.68 | 14.00 | 21.50 | 22.48 | N/A | N/A |
| 1728320034 | 16 | 56.68 | 49.00 | 56.50 | 57.48 | COLUMN 15: B29,B30,D29,D30,F29,F30,G29,G30,J29,J30,L29,L30 COLUMN 16: B31,B32,D31,D32,F31,F32,G31,G32,J31,J32,L31,L32 | COLUMN 14: B27,B28,D27,D28,F27,F28,G27,G28,J27,J28,L27,L28 |
| 1728320036 | 14 | 49.68 | 42.00 | 49.50 | 50.48 | COLUMN 12: B23,B24,D23,D24,F23,F24,G23,G24,J23,J24,L23,L24 COLUMN 13: B25,B26,D25,D26,F25,F26,G25,G26,J25,J26,L25,L26 COLUMN 14: B27,B28,D27,D28,F27,F28,G27,G28,J27,J28,L27,L28 | COLUMN 11: B21,B22,D21,D22,F21,F22,G21,G22,J21,J22,L21,L22 |

| | | | | |
|---------------------------------------------------------------------------------------------------------------------------------------------------------------------------------------------------------------------------------------------------------------------------------------------|-----------------------------------------------------------------------------------------------------------------------------------------------------------------------------|----------------------------------------------------------------------------------------------------------|--------------------------------------------------------------------------------|--------------------------------------------------------------------------------|
| SYMBOLS DIMENSION UNITS: mm SCALE: 1:1 CURRENT REV DESC: SEE SHEET 1 GENERAL TOLERANCES (UNLESS SPECIFIED) ANGULAR TOL: ± 0.5° 4 PLACES: ± 3 PLACES: ± 2 PLACES: ± 0.15 1 PLACE: ± 0 PLACES: ± DRAFT WHERE APPLICABLE MUST REMAIN WITHIN DIMENSIONS | EC NO: 174569 DRWN: TPREMO 2018/04/03 CHK'D: KPELOZA 2018/01/17 APPR: KLANG 2018/04/05 INITIAL REVISION: DRWN: GMINNICK 2017/04/21 APPR: KLANG 2017/07/31 | NEOPRESS 6 ROW RECEPTACLE ASSY 100 OHM 100 OHM | | |
| | | PRODUCT CUSTOMER DRAWING DOCUMENT NUMBER: 1728320002 DOC TYPE: PSD DOC PART: 000 REVISION: D | | |
| MATERIAL NUMBER: SEE TABLE CUSTOMER: GENERAL MARKET SHEET NUMBER: 2 OF 2 | DRAWING: E-SIZE SERIES: 172832 | THIRD ANGLE PROJECTION | MATERIAL NUMBER: SEE TABLE CUSTOMER: GENERAL MARKET SHEET NUMBER: 2 OF 2 | MATERIAL NUMBER: SEE TABLE CUSTOMER: GENERAL MARKET SHEET NUMBER: 2 OF 2 |