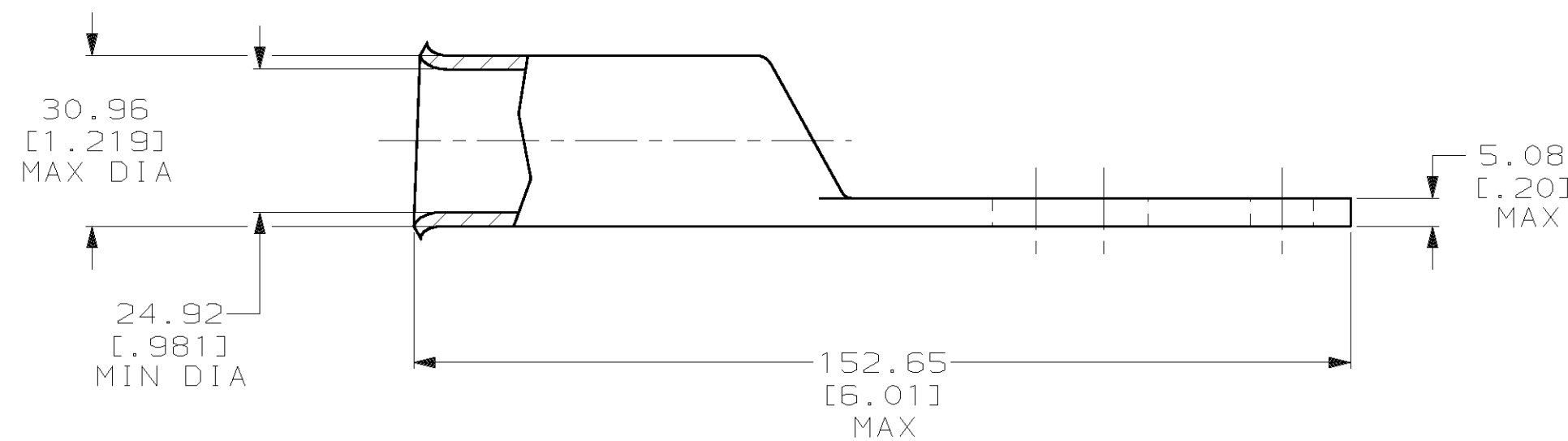
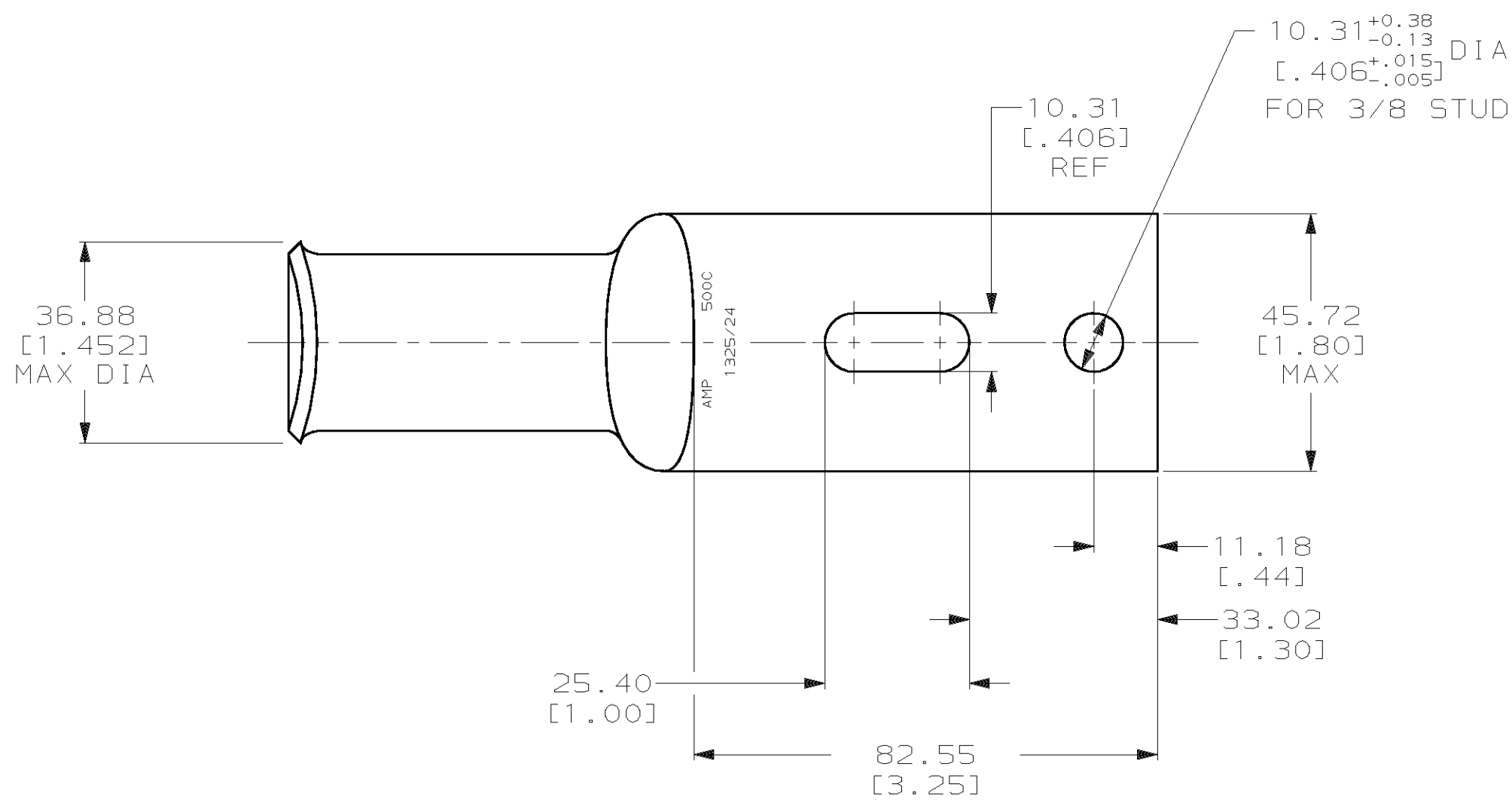


THIS DRAWING IS UNPUBLISHED. RELEASED FOR PUBLICATION ,19 .
 © COPYRIGHT 19 BY AMP INCORPORATED. ALL INTERNATIONAL RIGHTS RESERVED.

LOC		DIST		P		F		ZONE		LTR		REVISIONS	
DESCRIPTION		DATE		APPD									
G	86											C	REV PER 0G3A-0561-01
													07OCT02 JR/MS



DO NOT SCALE PRINT. UNLESS SPECIFIED DIMENSIONS IN mm [INCHES] TOLERANCES ON : 2 PLC DEC ± 0.51 [.020] 3 PLC DEC ± - ANGLES ± -		DR 03/09/90 DK SCHRUM	276964-1	
MATERIAL	ANNEALED COPPER ASTM B-75	CHK 24JAN95 MS FEHER	PART NO	
FINISH	△2	APPD 24JAN95 WJ VOCKROTH	AMP INCORPORATED Harrisburg, Pa. 17105	
		APPD 24JAN95 TL SHUTTER	NAME	
		PRODUCT SPEC 108-30200	TERMINAL, AMPPOWER, WIRE SIZE: 500 MCM	
APPLICATION SPEC	-	SCALE 1:1	SIZE C	CAGE CODE 00779
WEIGHT	-		DRAWING NO	276964
			SHEET	1 OF 1