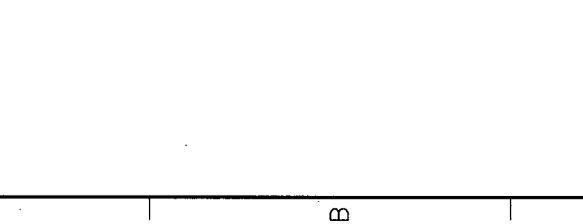
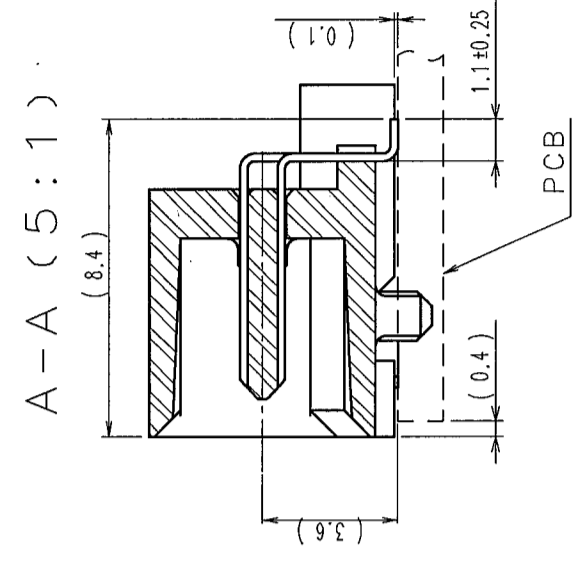
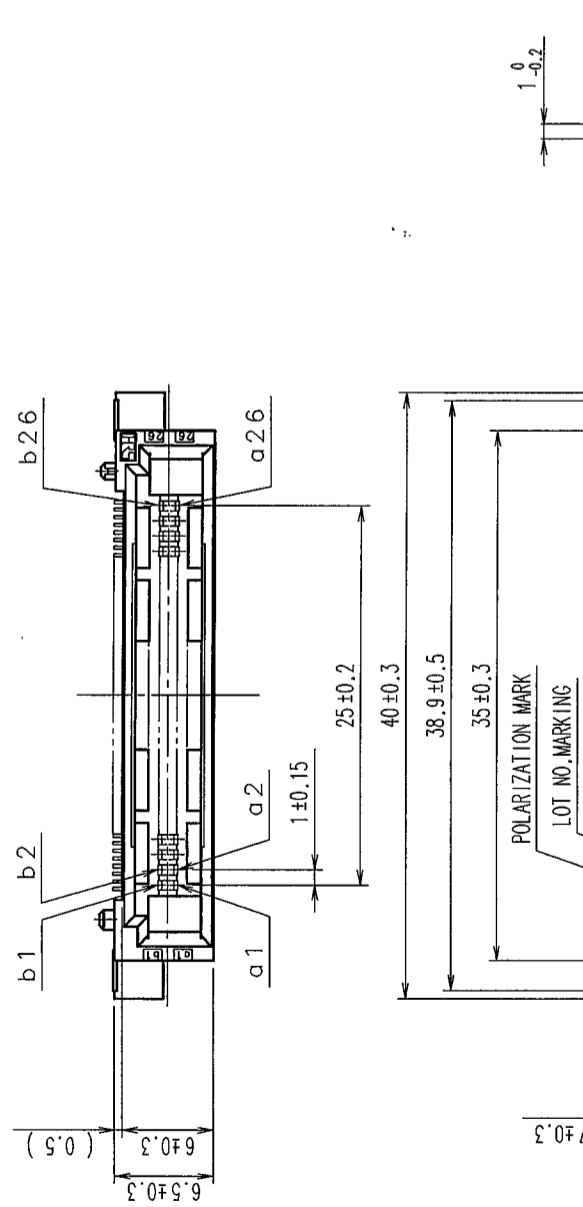
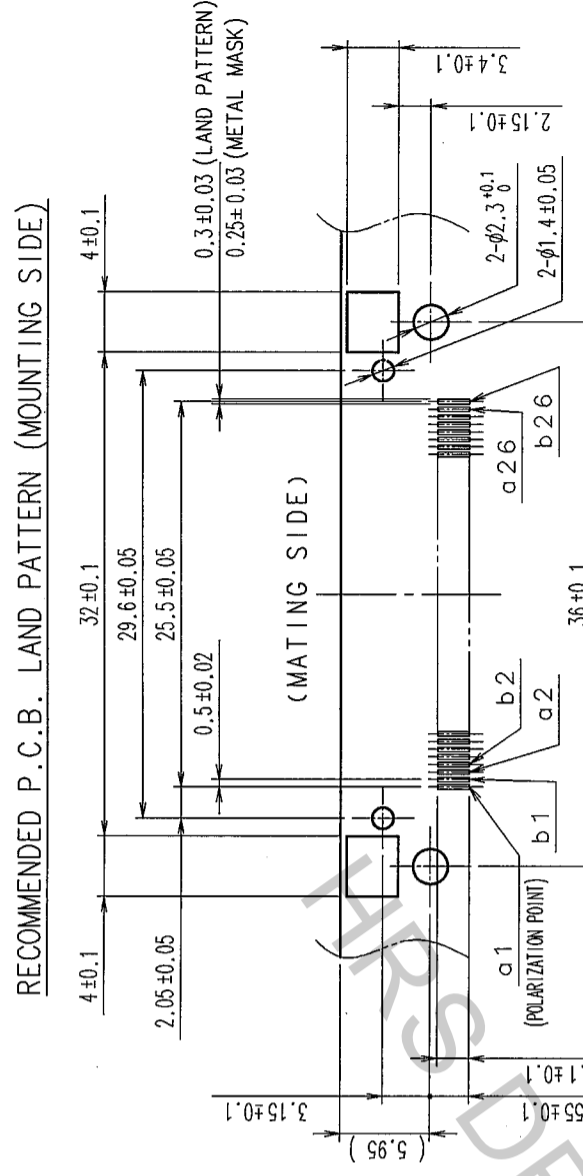


COUNT	DESCRIPTION OF REVISIONS	BY	CHKD	DATE	COUNT	DESCRIPTION OF REVISIONS	BY	CHKD	DATE
△					△				
△					△				
△					△				



NOTE 1 LEAD CO-PLANARITY INCLUDING REINFORCED METAL FITTINGS TO BE 0.1 MAX.  
 2 NOTE THAT THE REFERENCE TIGHTENING TORQUE IS 0.15 N · m.  
 3 THE DIMENSIONS IN PARENTHESES ARE FOR REFERENCE.

NO.	MATERIAL	FINISH, REMARKS	NO.	MATERIAL	FINISH, REMARKS
4	BRASS	TIN-PLATING	2, 3	BRASS	
1	POLYAMIDE	BEIGE		UL94V-0	

CODE NO. (OLD)	CL	DRAWN	DESIGNED	CHECKED	APPROVED	RELEASED
		T. YAMAGISAWA	<i>J. Mada</i>			
		'05.10.07	'05.10.07	'05.10.07	'05.10.07	'05.10.07

DRAWING NO.	PART NO.
EDC3-151381-21	FX5-52P-SH(71)

SCALE	UNITS	CODE NO.
2 : 1	mm	CL575-0006-0-71