

2016-2017

## Product Selection Guide



Wideband 2-20 GHz

# MMICs

Standard & Custom

Low Noise 1-12 GHz

Avionics

## GaN High Power Amplifiers

# WiMax 802.16

Broadband 6-18 GHz

Low Phase Noise

Industrial

# Space

Low Noise

0.5dB NF FET Chips

Gunn Diodes

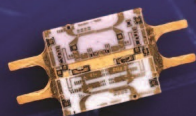
# Military

Ultra High Linearity

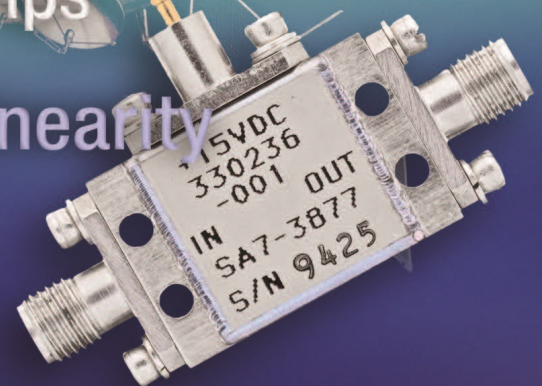
HBT

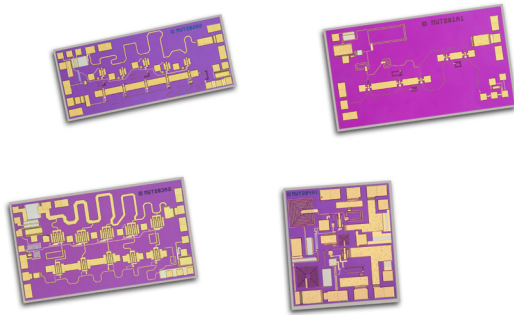
Amplifiers and Modules

PHEMT



Linear FET





- High Performance/Quality MMIC Based on InGaP HBT, pHEMT, and Linear MESFET Technologies
- High Linearity, Fully Matched WiMax Power Amplifiers
- High Linearity, Broadband Gain Blocks
- Military Screening Available on Hermetically Sealed Package Products
- Low Cost Commercial Products

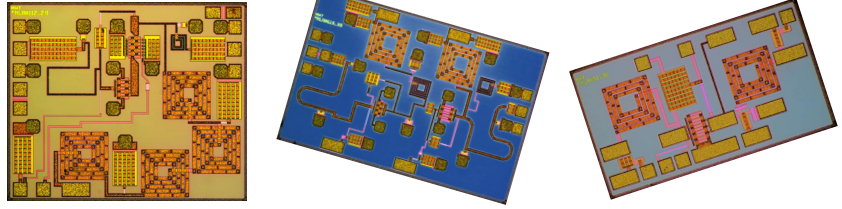
## VSAT and Point-to-Point Radio Applications High Power MMIC Amplifiers

Model	Freq. (GHz)	DC Power (W) To maintain IM3	Gain (dB)	P-1 (dBm)	P-3 (dBm)	IM3 (dBc) @Po=20dB m/tone	OIP3 (dBm) @Po=20dB m/tone	In/Out Return Loss (dB)	Package
MMA-273336	27-33	13.2W (6V 2.2A)	22	35.5	36.5	36	38	10	Chip
MMA-273336-R5	27-33	13.2W (6V 2.2A)	22	35.5	36.5	36	38	10	5x5 QFN
MMA-273336-M5	27-33	13.2W (6V 2.2A)	22	35.5	36.5	36	38	10	5x5 QFN
MMA-283136	28-31	12W (6V 2A)	22	35.0	36.0	40	40	10	Chip
MMA-283136-R5	28-31	12W (6V 2A)	22	35.0	36.0	40	40	10	5x5 QFN
MMA-374030	37-40	10.8W (6V 1.8A)	24	31.0	32.0	39*	38*	10	Chip
MMA-374030-M5	37-40	10.8W (6V 1.8A)	24	31.0	32.0	39*	38*	10	5x5 QFN

\* AT +18dBm pertone

## VSAT and Point-to-Point Radio Applications High Linearity MMIC Amplifiers

Model	Freq. (GHz)	DC Power (W) To maintain IM3 Level	Gain Typ/Min (dB)	P-1 (dBm)	P-3 (dBm)	IM3 (dBc) @Po=20dBm /tone	OIP3 (dBm) @Po=20dBm /tone	In/Out Return Loss (dB)	Package
MMA-070936-M5	7-8.5	18W (6W 3A)	28.5 / 28	34	36	50	45	15	5x5 QFN
MMA-121633-M5	12.5-15.5	8.4W (6V 1.4A)	23.5 / ---	32	34	44	42	10	5x5 QFN
MMA-273435-M5	27-34	8.8W (4V 2.2A)	20.5 / ---	32	34	45	43	10	5x5 QFN
MMA-445933H-02	4.4-5.9	---	29 / 33	33	---	---	45	10 / 7	02
MMA-495933-Q5	4.9-5.9	---	10.5 / 10	33	---	---	46	9.6 / 4.8	5x5 QFN



## Driver Amplifiers

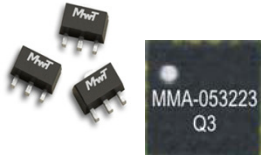
Model	Freq. (GHz)	DC Power (W) To maintain IM3 Level	Gain (dB)	P-1 (dBm)	P-3 (dBm)	Gain Flatness (dB)	OIP3 (dBm) @Po=10dB m/tone	In/Out Return Loss (dB)	Package
MMA-062020	6-20	0.6W (5V 0.12A)	13.5	18.3	19.5	+/- 1.0	28	10	Chip
MMA-062020-C3	6-20	0.6W (5V 0.12A)	13.5	18.3	19.5	+/- 1.0	28	10	3X3 QFN
MMA-174321	17-43	1.125W (4.5V 0.25A)	20.0	21.0	22.0	+/- 2.5	26	8	Chip
MMA-174321-M4	17-43	1.125W (4.5V 0.25A)	20.0	21.0	22.0	+/- 2.5	26	8	4x4 QFN

## Traveling Wave Amplifiers

Model	Freq (GHz)	DC Power (W) To maintain IM3 Level	Gain (dB)	P-1 (dBm)	P-3 (dBm)	Gain Flatness (dB)	OIP3 (dBm) @Po=10dB m/tone	In/Out Return Loss (dB)	Package
MMA-005022B	30KHz-50	1.4W (7V 0.2A)	15.5	22	25	+/- 1.0	37	10	Chip/ Epoxy Die Attach Only
MMA-005022C	30KHz-50	1.4W (7V 0.2A)	15.5	22	25	+/- 1.0	37	10	Chip/ Gold Tin Pre-Form Die Attach
MMA-005022-M4	30KHz-50	1.4W (7V 0.2A)	15.5	22	25	+/- 1.0	37	10	4x4 QFN
MMA-012030	0.1-20	6W (12V 0.5A)	12.5	27	29	+/- 0.5	37	10	Chip
MMA-012727	0.1-26.5	3.5W (10V 0.35A)	12.5	26	27	+/- 0.5	35	11	Chip
MMA-012727-M4	0.1-26.5	3.5W (10V 0.35A)	12.5	26	27	+/- 0.5	35	11	4x4 QFN

## High Linearity Broadband Driver Amplifiers

Model	Freq. (GHz)	Linear Gain Typ/Min (dB)	Gain Flatness Typ/Max (+/-dB)	Input RL Typ (dB)	Output RL Typ (dB)	NF Typ (dB)	Pout @ -1 dB Typ (dBm)	Psat Typ (dBm)	OIP3 Typ (dBm)	Vd (V)	DC Current Typ/Max (mA)	Package
MMA-011015-C5	1-10	15 / ---	2.5 / -	10	10	4.0	15 / ---	17	---	6.0	75 / ---	5x5 QFN
MMA-021015	2-10	18 / ---	2.5 / -	-12	-15	4.8	17 / ---	---	---	6.0	89 / ---	Chip
MMA-053223-Q3	.5-3.2	12 / ---	1.5	10	10	3.5	24	---	42	6.0	120 / 200	3x3 QFN
MMA-054025	.5-4	11 / ---	1.0	10	10	3.5	25	---	44	7.5	--- / 350	Chip
MMA-054025-Q3	.5-4	11 / ---	1.0	10	10	3.5	25	---	44	7.5	--- / 350	3x3 QFN
MMA-053026-82	.9-2	--- / 11	--- / 2.0	10	8	3.0	26(min)	---	44	8.0	220 / 300	82



## Broadband Low Noise Amplifiers

Model	Freq. (GHz)	Linear Gain Typ (dB)	Gain Flatness Typ (+/-dB)	Input RL Typ (dB)	Output RL Typ (dB)	NF Typ (dB)	Pout @ -1 dB Typ (dBm)	Vdd (V)	DC Current Typ (mA)	Package
MLA-01122B	1-10	17.0	1.0	14	11	1.6	16	5.0	55	Chip
MLA-01122B-C4	1-10	17.0	1.0	14	11	1.6	16	5.0	55	4x4 QFN
MLA-01122B-M4	1-10	17.0	1.0	14	11	1.6	16	5.0	55	4x4 QFN
MLA-01122B-H6	1-10	17.0	1.0	14	11	1.6	16	5.0	55	H6
MLA-0522A	2-1	17.0	0.5	12	20	1.0	16	3.0	70	Chip
	1-2	16.0	1.3	14	13	1.5	15	3.0	70	Chip
MLA-0522A-87	2-1	17.5	1.0	10	11	1.0	15	3.0	65	87
	1-2	15.0	1.3	13	12	1.2	15	3.0	65	87
MLA-06183A	5-18	19.0	2.0	10	11	3.0	20	4.5	135	Chip
MLA-06183A-M4	5-18	19.0	2.0	10	11	3.0	20	4.5	135	4x4 QFN

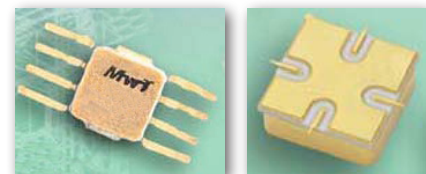
## High Linearity Driver Amplifiers for WiMax/WLAN

Model	Freq. (GHz)	Linear Gain Typ/Max (dB)	Gain Flatness Typ/Max (+/-dB)	Input RL Typ (dB)	Output RL Typ (dB)	NF Typ (dB)	Pout @ -1 dB Typ (dBm)	OIP3 Typ (dBm)	Vdd (V)	DC Current Typ/Max (mA)	Package
MMA-020624	2-4	17 / 15	1 / 1.5	12.0	12.0	3.0	25	40	8.0	250 / 300	Chip
	2-6	17 / 15	1 / 1.5	12.0	10.0	3.0	25	40	8.0	250 / 300	Chip
MMA-020624-IM4	2-4	17 / 15	1 / 1.5	12.0	12.0	3.0	25	40	8.0	250 / 300	4x4 QFN
	2-6	17 / 15	1 / 1.5	12.0	10.0	3.0	25	40	8.0	250 / 300	4x4 QFN
MMA-495930-Q4	4.9-5.9	20 / 18	1 / 1.2	8.0	8.0	---	30	45	7.5	450 / 500	4x4 QFN
MMA-495930-M4	4.9-5.9	20 / 18	1 / 1.2	8.0	8.0	---	30	45	7.5	450 / 500	4x4 QFN
MMA-495933-Q5	4.9-5.9	10.5 / 10	---	9.6	4.8	---	33	46	7.5	600 / ---	5x5 QFN
MMA-445933H-02	4.9-5.9	10.5 / 10	---	9.6	4.8	---	33	46	---	---	5x5 QFN

MwT has been providing components and semiconductor devices to the space industry since 1985. MwT performs assembly, testing, screening, and qualifications testing for microwave semiconductor devices, microwave components and subsystems based on MIL-PRF-38534 and according to military and government Hi-Rel standards such as MIL-PRF-38535, MIL-STD-202, MIL-STD-883, MIL-STD-750, MIL-STD-810, MIL-Q-9858, MIL-STD-19500 and MIL-I-45208.

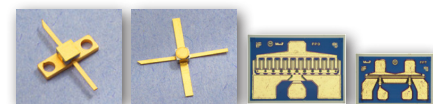
Some of MwT's space qualified products are highlighted in this section.

Equivalent screening to MIL-PRF-38534 class H and K, and NASA programs.



## Space Qualified Low Noise Amplifiers

Model	Pkg/ Chip	Freq (GHz)	Linear Gain Typ/Min (dB)	Gain Flatness Typ/MAX (±dB)	Input RL Typ (dB)	Output RL Typ (dB)	NF Typ (dB)	Pout @ -1 dB Typ (dBm)	OIP3 Typ (dBm)	Vdd (V)	DC Current Typ/Max (mA)
LN-141510-H4	H4	0.150	28	1.0	12	10	1.0	16	26	12	30
GM-141526-H4	H4	0.150	20	1.0	14	14	5.0	26	37	12	150



## Space Qualified and Hi-Rel GaAs FETs

Model	Pkg/ Avail.	Gate Width / Length (um)	Gate Layout Method	Gate Drain Source Bond Qty	Chip Thickness & VIA (mil.)	S.S. Gain @ 12 GHz Typ/Min (dB)	N.F. @ 12 GHz Typ/Min (dB)	Ga @ N.F. @ 12 GHz Typ/Min (dB)	P-1dB @ 12 GHz Typ/Min (dBm)	IP3 @ 12 GHz Typ/Min (dBm)	Chip Size (um - um)	Ideal Circuit
MwT-1	70, 71	630/0.3	single stripe	1, 1, 2	5, no	10.0 / 9.0	2.0 / -	7.0 / -	24.0/23.0	- / -	775 • 241	FB Amp
MwT-2	70, 71	630/0.3	single stripe	2, 2, 3	5, no	8.5 / 8.0	- / -	- / -	24.5/23.0	- / -	775 • 241	BA Amp
MwT-3	70, 71	300/0.3	single stripe	1, 1, 2	5, no	11.0 / 10.0	- / -	- / -	21.0/20.0	- / -	406 • 241	BA Amp
MwT-7	70	250/0.3	single stripe	2, 2, 2	5, no	10.5 / 10.0	2.0 / -	8.0 / -	20.0/18.0	- / -	356 • 241	BA/SE Amp
MwT-LP7	70	250/0.3	single stripe	2, 2, 2	5, no	10.5 / 10.0	2.0 / -	8.0 / -	20.0/18.0	- / -	356 • 241	Oscillator
MwT-PH7	70, 71	250/0.3	single stripe	2, 1, 2	4, no	13.5 / 12.0	- / -	- / -	24.0/22.0	- / -	356 • 241	Medium pow
MwT-8	71	2400/0.3	Interdigit	2, 2, 3	4, no	7.5 / 7.0	- / -	- / -	28.0/27.0	- / -	673 • 305	Power Amp
MwT-9	70, 71	750/0.3	Interdigit	1, 1, 2	5, no	9.0 / 8.0	2.0 / -	6.5 / 6.0	26.0/-	- / -	419 • 292	FB Amp
MwT-A9	70, 71	750/0.3	Interdigit	1, 1, 2	5, no	9.5 / 8.5	1.8 / -	6.5 / 6.0	25.5/23.0	- / -	419 • 292	FB Amp
MwT-PH7	70, 71	250/0.3	single stripe	2, 1, 2	4, no	13.5 / 12.0	- / -	- / -	24.0/22.0	- / -	356 • 241	Medium pow
MwT-H17	89, 71	2400/0.8	Interdigit	4, 4, 5	5, no	7.0 / 6.0	*	- / -	29.5/28.5	45/-	1130 • 279	BA/FB Amp

### Capabilities

#### ▪ Products Available for Space Screening

- GaAs FETs
- Microwave Bipolar Transistors
- Microwave Diodes
- Microwave Components such as hybrid amplifiers
- Microwave Subsystems
- Microwave Amplifiers

#### ▪ Screening

- Element Evaluation, Group A, B, C, and D
- Assembly and 100% Screening
- Qualification Testing

#### ▪ Testing

- DC and RF Parameters

#### ▪ Program Management

- ISO Qualified Quality System

## MwT Standard GaAs FETs / PHEMTs RF Properties (DC Properties Listed on the next page)

### FETs\*

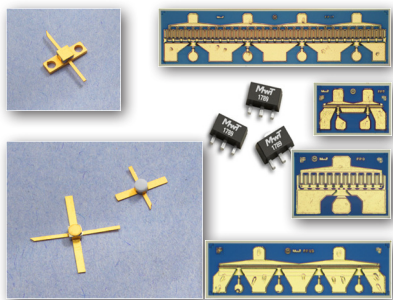
Model	Package Available Sealed/ Hermetic	Gate Width/ Length (um)	Gate Layout Method	Gate Drain Source Bond Pads	Chip Thickness, VIA (mil)	S.S. Gain @ 12 GHz Typ/Min (dB)	N.F. @ 12 GHz Typ/Min (dB)	Ga @ N.F. 12 GHz Typ/Min (dB)	P-1dB @ 12 GHz Typ/Min (dBm)	IP3 @ 12 GHz Typ (dBm)	Chip Size (um - um)
MwT-1	70, 73 / 71	630 / 0.3	single stripe	1, 1, 2	5, no	10.0 / 9.0	2.0 / -	7.0 / -	24.0/23.0	-	775 • 241
MwT-2	70, 73 / 71	630 / 0.3	single stripe	2, 2, 3	5, no	8.5 / 8.0	- / -	- / -	24.5/23.0	-	775 • 241
MwT-3	70, 73 / 71	300 / 0.3	single stripe	1, 1, 2	5, no	11.0 / 10.0	- / -	- / -	21.0/20.0	-	406 • 241
MwT-4	70, 73 / N/A	180 / 0.3	single stripe	1, 1, 2	5, no	9.0 / 8.0	1.5 / 1.8	9.0 / 8.0	14.0/13.0	-	356 • 241
MwT-5	N/A / N/A	2 • 300 / 0.3	dual gate	3, 1, 2	5, no	13.0 / 12.0	3.5 / -	11.0 / -	19.0/15.0	-	406 • 241
MwT-7	70, 73 / N/A	250 / 0.3	single stripe	2, 2, 2	5, no	10.5 / 10.0	2.0 / -	8.0 / -	20.0/18.0	-	356 • 241
MwT-LP7 **	70, 73 / N/A	250 / 0.3	single stripe	2, 2, 2	5, no	10.5 / 10.0	2.0 / -	8.0 / -	20.0/18.0	-	356 • 241
MwT-8	71	2400 / 0.3	Interdigit	2, 2, 3	4, no	7.5 / 7.0	-	-	28.0/27.0	-	673 • 305
MwT-A9	70, 73 / 71	750 / 0.3	Interdigit	1, 1, 2	5, no	9.5 / 8.5	1.8 / -	6.5 / 6.0	25.5/23.0	-	419 • 292
MwT-A989	SOT-89	750 / 0.5	Interdigit	1, 1, 2	4, no	17.0/15.0 (1)	0.9 (1)	-	25.0/23.0	40	419 • 292
MwT-A989SB	SOT-89	750 / 0.5	Interdigit	1, 1, 2	4, no	17.0/15.0 (1)	0.9 (1)	-	25.0/23.0	40	419 • 292
MwT-11	71	2400 / 0.3	Interdigit	2, 2, 3	4, no	9.0 / 7.0	-	-	30.0/28.0	-	775 • 343
MwT-H17	89 / 71	2400 / 0.8	Interdigit	4, 4, 5	5, no	7.0 / 6.0	(2)	-	29.5/28.5	45/-	1130 • 279
MwT-H22	71	4800 / 0.5	Interdigit	6, 6, 7	4, no	12.0 / 9.0	-	-	33.0/31.0	48	1651 • 508
MwT-H25	-	14400 / 0.5	Interdigit	6, 6, 7	4, no	10.0 / 9.0	-	-	37.5/36.0	48	2311 • 508
MwT-1789	SOT-89	2400 / 0.8	Interdigit	4, 4, 5	4, no	--	(3)	14.0 (1)	28.0	46	1130 • 279
MwT-1789SB	SOT-89	2400 / 0.8	Interdigit	4, 4, 5	4, no	--	(3)	18.0 (1)	28.0	44	1130 • 279
MwT-17Q3	QFN	2400 / 0.8	Interdigit	4, 4, 5	4, no	18.0/16.0 (1)	1.5 (1)	-	28.0/27.0	46	1130 • 279
MwT-PH4	70, 73 / 71	180 / 0.3	single stripe	1, 1, 2	5, no	11.0 / 10.0	1.2	13 / 12.0	20.0/18.0	-	356 • 241
MwT-PH5	-	300 / 0.3	single stripe	1, 1, 2	4, no	18.0 / 15.0	2.0 / -	12.0 / -	20.0/18.0	-	406 • 241
MwT-PH7	70, 73 / 71	250 / 0.3	single stripe	2, 1, 2	4, no	13.5 / 12.0	-	-	24.0/22.0	-	356 • 241
MwT-PH8	71	1200 / 0.3	Interdigit	2, 2, 3	4, no	10.0 / 9.0	-	-	30.0/29.0	-	673 • 305
MwT-PH9	70, 73 / 71	750 / 0.3	Interdigit	1, 1, 2	4, no	10.0 / 9.0	-	-	27.0/26.0	-	419 • 292
MwT-PH11	71	2400 / 0.3	Interdigit	2, 2, 3	4, no	9.0 / 7.0	-	-	32.0/30.0	42	775 • 343
MwT-PH15	70, 73 / 71	630 / 0.3	single stripe	3, 2, 5	4, no	12.0 / 10.0	-	-	28.5/27.0	-	775 • 241
MwT-PH16	71	900 / 0.3	single stripe	6, 2, 7	4, no	11.5 / 10.0	-	-	30.0/28.5	-	1067 • 241

SB = Self-Biased

(1) @ 2.0GHz, (2) noise figure = 0.8dB @ 0.9GHz, (3) noise figure = 3.0dB @ 2.0GHz, (4) noise figure = 1.3dB @ 2.0GHz, (5) @ 4.0GHz

\* Consult Factory for Available Packaging: 70 / 73 / 71 / 89 / Q3.

\*\* Low Phase Noise



- Ultra Linear, High Dynamic Range, Low Phase Noise
- GaAs Process is Approved for Space Applications with Proven Reliability
- Commercial, Industrial, Military, and Space Grades
- Sample Bond Pull, Die Shear, Wafer DC Burn In, and Bake Tests for wafer evaluation per MILPRF-38534
- 100% Die Probe Test with Data Recorded
- 100% Visual Inspection (to level 1, 3, or 4)
- 100% Idss Match to Provide Performance Consistency
- RF Sample Test Capability Available Upon Request
- Standard and Custom Device Specifications
- Hi-Rel and Space-Rel Screening Options Available  
JAN, JANTX, JANTXV, JANS
- RoHS (lead-free) Compliant Product Available
- Available in Chip and Package

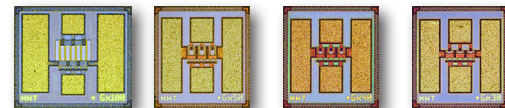
MwT Standard GaAs FETs / PHEMTs DC Properties (RF Properties Listed on the previous page)

## FETs\* (cont.)

Model	Device Type	IDSS Range Min/Max (mA)	Gm Tested Vds/Vgs (V/V)	Gm Typ/Min (mS)	Vp Tested at Vds/Ids (V/mA)	Vp Typ/Max (-V)	Bvgso Tested lgs (-mA)	Bvgso Typ/Min (-V)	Bvgdo Tested lgs (-mA)	Bvgdo Typ/Min (-V)	Vds Absolute Max (V)	Chip Rth Typ (°C/W)	Ideal Circuit
MwT-1	MESFET	60 / 240	4.0 / 0.0	120 / 90	3.0 / 4.0	2.0 / 5.0	1.0	10.0 / 5.0	1.0	10.0 / 6.0	6.0	80	FB Amp
MwT-2	MESFET	60 / 240	4.0 / 0.0	100 / 75	3.0 / 4.0	2.0 / 5.0	0.4	12.0 / 6.0	0.4	12.0 / 8.0	7.0	80	BA Amp
MwT-3	MESFET	30 / 120	4.0 / 0.0	55 / 35	3.0 / 2.0	2.0 / 5.0	0.2	12.0 / 6.0	0.2	12.0 / 8.0	7.0	150	BA Amp
MwT-4	MESFET	18 / 66	3.0 / 0.0	35 / 27	3.0 / 1.0	1.5 / 4.0	0.2	8.0 / 5.0	0.2	8.0 / 6.0	6.0	250	Osc & Amp
MwT-5	MESFET	30 / 110	2.0 / 0.0	40 / 23	3.0 / 0.0	2.0 / 4.5	0.4	8.0 / 5.0	0.4	10.0 / 7.0	6.5	150	Buffer Amp
MwT-7	MESFET	26 / 98	3.0 / 0.0	45 / 36	3.0 / 1.0	1.5 / 4.5	0.4	8.0 / 5.0	0.4	8.0 / 6.0	6.0	180	BA/SE Amp
MwT-LP7	MESFET	38 / 98	3.0 / 0.0	45 / 36	3.0 / 1.0	1.5 / 4.5	0.4	8.0 / 5.0	0.4	8.0 / 6.0	6.0	180	Oscillator
MwT-8	MESFET	120 / 480	2.5 / 0.0	160 / 144	3.0 / 5.0	2.0 / 5.0	1.2	12.0 / 8.0	1.2	12.0 / 8.0	7.5	45	Power Amp
MwT-A9	MESFET	78 / 282	2.0 / 0.0	120 / 95	3.0 / 5.0	2.0 / 5.0	1.0	10.0 / 5.0	1.0	10.0 / 6.0	6.0	70	FB Amp
MwT-A989	MESFET	100 / 200	2.0 / 0.0	90 / 120	3.0 / 5.0	2.5 / 5.0	1.0	10.0 / 5.0	1.0	10.0 / 6.0	8.0	75	Power Amp
MwT-A989SB	MESFET	100 / 200	2.0 / 0.0	90 / 120	3.0 / 5.0	2.5 / 5.0	1.0	10.0 / 5.0	1.0	10.0 / 6.0	8.0	75	Power Amp
MwT-11	MESFET	240 / 920	2.5 / 0.0	380 / 290	3.0 / 16.0	2.0 / 5.0	2.4	12.0 / 8.0	2.4	12.0 / 8.0	8.0	28	Power Amp
MwT-H17	MESFET	240 / 920	2.0 / 0.0	380 / 290	3.0 / 6.0	2.5 / 5.0	1.6	12.0 / 6.0	1.6	12.0 / 8.0	7.0	33	BA/FB Amp
MwT-H22	MESFET	800 / 1200	2.5 / 0.0	650 / 500	3.0 / 30.0	2.0 / 5.0	5.0	12.0 / 8.0	0.5	14.0 / 12.0	9.0	12	Power Amp
MwT-H25	HFET	2000 / 2600	2.5 / 0.0	1500 / 1000	3.0 / 150.0	2.0 / 5.0	14.0	12.0 / 8.0	14	16.0 / 14.0	12.0	60	Power Amp
MwT-1789	MESFET	440 / 680	2.5 / 0.0	380 / 290	3.0 / 16.0	2.0 / 5.0	2.4	12.0 / 6.0	2.4	12.0 / 9.0	8.0	35	High Linearity
MwT-1789SB	MESFET	440 / 680	2.0 / 0.0	380 / 290	3.0 / 16.0	2.5 / 5.0	2.4	12.0 / 6.0	2.4	12.0 / 9.0	8.0	30	Power Amp
MwT-17Q3	MESFET	440 / 680	2.5 / 0.0	380 / 290	3.0 / 16.0	2.0 / 5.0	2.4	12.0 / 6.0	2.4	12.0 / 9.0	8.0	35	Power Amp
MwT-PH4	PHEMT	18 / 66	2.5 / 0.0	58 / 36	3.0 / 1.0	1.2 / 2.5	0.4	12.0 / 6.0	0.4	12.0 / 8.0	7.0	210	Osc & Amp
MwT-PH5	PHEMT	40 / 120	2.5 / 0.0	60 / 40	3.0 / 2.0	1.2 / 2.5	0.4	12.0 / 6.0	0.4	13.0 / 10.0	7.0	150	Power Amp
MwT-PH7	PHEMT	50 / 122	2.5 / 0.0	80 / 50	3.0 / 1.0	1.2 / 2.5	0.4	12.0 / 6.0	0.4	12.0 / 8.0	7.0	150	Medium pow
MwT-PH8	PHEMT	240 / 600	2.5 / 0.0	320 / 240	3.0 / 8.0	1.2 / 2.5	1.2	12.0 / 6.0	1.2	13.0 / 10.0	8.0	40	Medium pow
MwT-PH9	PHEMT	120 / 292	2.5 / 0.0	200 / 150	3.0 / 5.0	1.2 / 2.5	1.0	12.0 / 6.0	1.0	13.0 / 10.0	8.0	56	Power Amp
MwT-PH11	PHEMT	440 / 800	2.0 / 0.0	800 / 450	3.0 / 16.0	1.2 / 2.5	2.4	12.0 / 6.0	2.4	13.0 / 10.0	8.0	24	Power Amp
MwT-PH15	PHEMT	120 / 240	2.5 / 0.0	200 / 130	3.0 / 2.0	1.2 / 2.5	1.0	12.0 / 6.0	1.0	13.0 / 10.0	8.0	65	Medium pow
MwT-PH16	PHEMT	150 / 360	2.5 / 0.0	280 / 180	3.0 / 3.0	1.2 / 2.5	1.0	12.0 / 6.0	1.0	13.0 / 10.0	8.0	45	Medium pow

\* Consult Factory for Available Packaging: 70 / 73 / 71 / 89 / Q3  
NOTE: Consult Factory For Binning Ranges

## Low Noise GaAs FETs

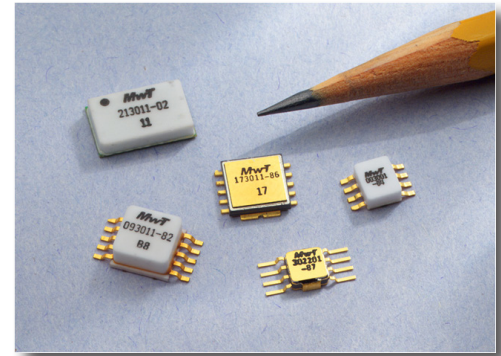


Model	Gate Width/Length (um)	NF @ 12 GHz Typ (dB)	NF @ 4 GHz Typ (dB)	Ga @ N.F @ 12 GHz Typ/Min (dB)	Ga @ N.F @ 4 GHz Typ (dB)	P-1dB @ 12 GHz Typ (dBm)
MwT-LN240	240 / 0.15	0.50	0.20	10 / --	13.0	16.0
MwT-LN300	300 / 0.15	0.60	0.20	10 / --	13.0	16.0
MwT-LN600	600 / 0.15	0.50	0.20	9 / 8	12.0	20.0

GaAs FETs / PHEMTs / HFETs

## MPS, ULA, WPS, and MGA

- Miniature, Low Cost, SMT, Flange, & Leadless Package Options
- Miniature, High Reliability, Hermetic SMT Options
- Low Noise, High Linearity, and Broadband Options
- Suitable for High Dynamic Range LNA Applications
- Suitable for High Linear Driver Amp Gain Stages
- Low VSWR for Improved Cascade
- Performance Wireless Amplifiers (MPS, ULA and WPS WiMax)
- Single Voltage Supply and Low Current Operation
- Most Parts are Eutectic Assembly for High Reliability
- Standard and Custom Amplifier Specifications
- Hi-Rel and Space-Rel Screening Available (class H and K)
- GaAs MESFET and GaN PHEMT Devices



### High Linearity MPS

Model	Case Code (-XX) Sealed SMT, Flange	Freq Range (MHz)	Linear Gain Typ/Min (dB)	Gain Flatness Typ/Max (±dB)	VSWR Input Typ/Max (dB)	VSWR Output Typ/Max (dB)	Noise Figure Typ/Max (dB)	Pout @ -1 dB Typ/Min (dBm)	IP3 Typ/Min (dBm)	DC Voltage Applied (V)	DC Current Typ (mA)
MPS-0030H16-XX	02	10-3000	14.5/16.0	0.50/0.80	2.0 / -	2.0 / -	-	27.0 / 25.5	33.5 / -	7.0-8.0	240-270
MPS-0325A9D-XX	82	300-2500	12.5/13.5	0.20/0.60	1.4 / 1.7	1.2 / 1.7	4.0 / -	25.0 / -	42.0 / 39.0	7.5	300-330
MPS-081017-XX	02	800-1000	15.0/14.0		2.0 / -	2.5 / -	-	28.5 / -	45.0 / 42.0	7.5	380-450
MPS-0810A9-XX	02	800-960	15.0/14.0		1.5 / -	2.0 / -	1.1 / 1.5	20.5 / -	34.0 / -	6.0	160-240
MPS-0810A9D-XX	82, -	800-960	14.0/13.0	0.20/0.30	1.4 / 1.5	1.2 / 1.5	5.0 / -	26.0 / 25.0	42.0 / 41.0	7.5	300-400
MPS-0820A9D-XX	02	800-2050	13.5/12.5		1.4 / -	1.4 / -	5.5 / -	24.0 / -	43.0 / -	6.0	220-280
MPS-093011-XX	82, 85, *	800-1000	16.0/14.0	0.25/0.50	1.5 / -	2.2 / -	6.0 / -	30.0 / -	45.0 / 43.0	7.5	380-450
MPS-1720A9-XX	02	800-960	14.0/13.0		2.1 / 2.2	1.5 / 2.1	1.1 / 1.5	20.0 / -	33.0 / -	6.0	100-140
MPS-172208-XX	82, 85	1900-2000	13.0/12.0	0.20/0.50	2.0 / 2.5	2.0 / 2.5	5.0 / -	26.0 / 25.0	38.0 / -	7.5	380-450
MPS-173011-XX	82, 85, *	1400-1700	14.0/13.0	0.25/0.50	1.5 / -	2.2 / -	6.0 / -	30.0 / -	45.0 / 42.0	7.5	380-450
MPS-1820A9D-XX	82, -, 02	1800-2000	14.0/13.0	0.20/0.30	1.4 / 1.5	1.2 / 1.5	5.0 / -	26.0 / 25.0	42.0 / 41.0	7.5	300-400
MPS-182117-XX	02	1800-2100	14.0/13.0		2.0 / -	2.5 / -	-	28.5 / -	45.0 / 42.0	7.5	380-450
MPS-182217-XX	82, -, 02	1800-2200	14.0/13.0	0.25/0.50	1.5 / -	3.0 / -	6.0 / -	28.5 / -	45.0 / 42.0	7.5	380-450
MPS-2125A9D-XX	82, -, 02	2100-2500	14.0/13.0	0.20/0.50	1.4 / 1.5	1.2 / 1.5	5.0 / -	26.0 / 25.0	42.0 / 41.0	7.5	300-400
MPS-213011-XX	82, 85, 02	1700-2100	14.0/13.0	0.25/0.50	1.5 / -	2.2 / -	6.0 / -	29.0 / -	45.0 / 42.0	7.5	380-450
MPS-242717-XX	02	2400-2700	13.0/12.0		2.0 / -	-	-	28.0 / -	45.0 / 42.0	6.0-7.0	380-450
MPS-253011-XX	02, 82, 85, *	2400-2700	13.0/12.0	0.25/0.50	1.5 / -	2.2 / -	6.0 / -	29.0 / -	45.0 / 42.0	7.5	380-450
MPS-343517-XX	02, 82	3400-3500	13.0/12.0	0.25/0.50	2.0 / -	2.2 / -	6.0 / -	29.0 / -	45.0 / 42.0	7.5	380-450
MPS-3435A9D-XX	82, -	3400-3500	13.0/12.0	0.20/0.30	1.4 / 1.5	1.3 / 1.5	6.0 / -	24.0 / 23.0	41.0 / 39.0	7.5	300-400
MPS-343617-XX	82	3400-3600	13.0/12.0		2.0 / -	2.2 / -	-	29.0 / -	48.0 / 44.0	7.5	350-420
MPS-343717-XX	02	3400-3700	12.5/11.7		1.5 / -	2.5 / -	-	28.5 / -	45.0 / 42.0	6.0-7.0	330-400
MPS-343717-XX	82	3400-3700	12.5/11.7		1.5 / -	2.5 / -	-	28.5 / -	45.0 / 42.0	6.7	380-450
MPS-363817-XX	82	3600-3800	13.0/12.0		2.0 / -	2.2 / -	-	29.0 / -	48.0 / 44.0	7.5	350-420

\* Hermetic Version Available (96 package)



## MPS, ULA, and MGA

### General Purpose Hybrid Amplifiers in Surface Mount Packages

Model	Case Code (-XX) Sealed SMT, Flange	Case Code (-XX) Hermetic SMT	Freq Range (MHz)	Linear Gain Typ/Min (dB)	Gain Flatness Typ/Ma (±dB)	VSWR Input Typ/Min	VSWR Output Typ/Min	Noise Figure Typ/Min (dB)	Pout @ -1 dB Typ/Min (dBm)	PAE @ -1 Typ (%)	IP3 Typ/Min (dBm)	DC Voltage Applied (V)	DC Current Typ/Max (mA)
MPS-002701-XX	84	-	00-2700	11.5/10.5	0.5/0.8	2.0 / -	1.8 / -	6.0 / -	20.0 / 19.0	-	35.0 / -	5.0	120 / 160
MPS-003001-XX	84	87	20-3000	11.5/10.5	0.80/1.20	1.6 / 2.5	1.6 / 2.5	4.0* / -	21.0 / 19.0	30*	34.0 / -	5.0	90 / 160
MPS-013001-XX	84	-	100-3000	11.5/10.5	0.80/1.20	1.6 / 2.5	1.6 / 2.5	3.5*/5.0*	21.0 / 19.0	30	34.0 / -	5.0	90 / 160
MPS-032701A-XX	82	96	300-2700	20.0 / -	1.0 / -	2.0 / -	2.0 / -	5.0 / -	20.0 / 19.0	-	34.0 / -	5.0	320 / 360
MPS-0425A9D-XX	82	96	400-2500	14.0/13.0	-	1.4 / 1.7	1.2 / 1.7	-	25.0 / -	-	42.0 / -	7.5	300 / 330
MPS-082508-XX	82, 85	96	800-2500	13.0/11.0	0.50/1.00	2.0 / 2.5	2.0 / 2.5	5.0 / -	27.0 / 26.0	25	38.0/36.0	12.0	200 / 300
MPS-302201-XX	-	87	100-3000	11.5/10.5	0.50/0.80	1.6 / 2.5	1.6 / 2.5	3.5*/5.0*	22.0 / 20.5	30	35.0 / -	5.0	90 / 160

\* NF - See Data Sheet

### WiMAX Hybrid Amplifiers in Surface Mount Packages

Model	Case Code Sealed	Freq Range (MHz)	Linear Gain Typ/Min (dB)	Gain Flatness Typ/Ma (±dB)	VSWR Input Typ	VSWR Output Typ	P1dB Typ (dBm)	Pout @ 2.0% EVM Typ (dBm)	IP3 Typ/Min (dBm)	DC Voltage (V)	DC Current Typ/Max (mA)
WPS-242717-XX	02, 82	2450-2700	13.0	0.30/0.60	1.5	2.5	28.5	22.0	45.0	7.5	330
WPS-252717-XX	82	2500-2700	13.0	0.30/0.60	1.5	2.5	28.5	22.0 (1)	45.0	7.5	300
WPS-252724-XX	02, 99	2500-2700	14.0	0.30/0.60	1.5	2.5	36.0	29.0	50.0	8.5	1200
WPS-303322-XX	02	3000-3300	13.0	0.30/0.60	1.5	2.5	32.0	26.0 (1)	47.0	8.0	600
WPS-343617-XX	82	3400-3600	13.0	0.30/0.60	1.5	2.5	29.0	22.0 (1)	48.0	7.5	380-450
WPS-343717-XX	82	3400-3700	13.0	0.30/0.60	1.5	2.5	29.0	22.0 (1)	45.0	7.5	380-450
WPS-343722-XX	02	3400-3700	13.0	0.30/0.60	1.5	2.5	32.0	26.0 (1)	47.0	8.0	600
WPS-343724-XX	02, 99	3400-3700	14.0	0.30/0.60	1.5	2.5	36.0	29.0	50.0	8.0	1200
WPS-363817-XX	82	3600-3800	13.0	0.30/0.60	1.5	2.5	29.0	22.0 (1)	48.0	7.5	380-450
WPS-444922-XX	02	4400-4900	11.0	0.30/0.60	1.5	2.5	32.0	26.0	47.0	7.5	600
WPS-445122-XX	02	4400-5100	11.0	0.30/0.60	1.5	2.5	32.0	26.0	47.0	7.5	600
WPS-445124-XX	02	4400-5100	10/9	--	2.45	3.0	36 (2)	29.0	50.0	8.5	1200
WPS-495122-XX	02	4900-5100	11.0	0.30/0.60	1.5	2.5	32.0	26.0	47.0	7.5	600
WPS-495917-XX	02	4900-5900	13.0	0.30/0.60	1.5	2.5	28.5	22.0	44.0	7.5	300
WPS-495922-XX	02	4900-5900	11.0	0.30/0.60	1.5	2.5	32.0	26.0	47.0	7.5	600
WPS-545922-XX	02	5400-5900	11.0	0.30/0.60	1.5	2.5	32.0	26.0	47.0	7.5	600

(1) Pout @ 2.5% EVM (2) Pout @ -1dB

### WiMAX Linear GaN Amplifiers

Model	Pkg/ Chip	Freq (GHz)	Linear Gain Typ/Min (dB)	Gain Flatness Typ/MAX (±dB)	Input RL Typ (dB)	Output RL Typ (dB)	Pout @ -3 dB Typ/Min (dBm)	Pout @ 2.5% EVM Typ (dBm)	Vdd (V)	DC Current (mA)
MGA-242740-02	02	2.4-2.7	14/12	1.0/1.5	8	8	40	33	28	50-400
MGA-333840-02	02	3.3-3.8	15/12	1.0/1.5	8	8	40	33	28	100-400
MGA-495940-02	02	4.9-5.9	12 / 10	1.0/1.5	8	8	40	33	28	100-400
MGA-444940-02	02	4.4-4.9	12 / 10	1.0/1.5	8	10	40	33	28	100-400
MGA-445343-99	99	4.4-5.3	14/12	1.0/1.5	7	4	43	35	28	150-300

# Standard, Military, and Hi-Rel Connectorized Amplifiers



## Wide-Band Amplifiers

Model Number	Freq Range (GHz)	Linear Gain Min/Typ (dB)	Gain Flatness Max (±dB)	Noise Figure Max/Typ (dB)	Pout -1 dB Min/Typ (dBm)	Current @12 V MAX * (mA)	Case Code
AW052202N	0.5-2	30/33	1.4	2.5/2.2	15/17	300	SL-2
AW052203	0.5-2	23/26	1.0	3.0/2.5	17/19	260	SL-2
AW054201N	0.5-4	19/26	1.0	2.5/2.2	15/17	220	SL-2
AW054203	0.5-4	21/24	1.0	4.5/4.0	16/18	260	SL-2
AW12201N	1-2	28/31	1.1	2.5/2.2	18/20	225	SL-2
AW12203	1-2	27/30	1.1	3.5/3.0	27/28	555	SL-2
AW26201N	2-6	21/23	1.0	2.5/2.2	13/15	155	SL-2
AW26204	2-6	19/21	1.0	4.5/4.0	23/24	335	SL-2
AW28201N	2-8	29/32	1.5	3.0/2.5	13/15	175	SL-2
AW28302	2-8	31/33	1.5	5.5/5.0	23/24	615	SL-3
AW612301N	6-12	30/32	1.0	3.5/3.0	16/17	240	SH-3
AW612304	6-12	22/23	1.0	6.5/6.0	27/28	750	SH-4
AW1218301N	12-18	24/26	0.8	3.5/3.0	14/15	230	SH-3
AW1218504	12-18	29/31	1.3	7.5/7.0	27/28	1200	SH-6
AW818301N	8-18	24/26	1.0	3.5/3.0	14/15	230	SH-3
AW818504	8-18	29/32	1.5	7.5/7.0	27/28	1300	SH-6
AW618301N	6-18	24/26	1.3	3.5/3.0	14/15	230	SH-3
AW618302	6-18	19/21	1.3	6.0/5.5	20/21	350	SH-3
AW618404	6-18	20/22	1.5	7.5/7.0	27/28	1200	SH-5
AW218201N	2-18	25/28	1.8	5.0/4.5	6/7	135	SH-2
AW218301N	2-18	24/26	2.0	6.5/6.0	15/16	365	SH-3
AW218301	2-18	20/22	2.0	6.0/5.5	20/21	500	SH-3

## Temperature Compensation Amplifiers

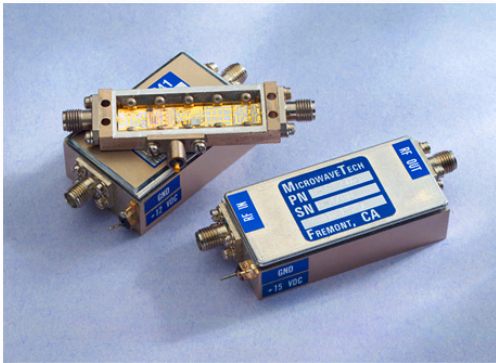
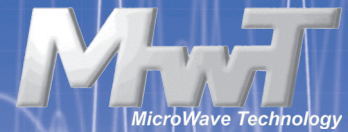
Model Number	Freq Range GHz	Linear Gain MIN/TYP (dB)	Gain Flatness MAX (±dB)	Noise Figure MAX/TYP (dB)	Gain vs. Temp MAX (±dB)	Current @12 V MAX * (mA)	Case Code
AT26301	2-6	21/23	1.0	6.0/5.5	0.8	300	SL-3
AT26401	2-6	36/40	1.5	5.5/5.0	1.0	470	SL-4
AT618401	6-18	22/24	1.0	7.5/7.0	0.8	380	SH-4
AT618501	6-18	31/33	1.3	7.0/6.5	0.8	500	SH-5

## Limiting Amplifiers

Model Number	Freq Range (GHz)	Pin Dynamic MIN/MAX (dBm)	Noise Power MAX (dBm)	Pout-sat MIN/MAX (dBm)	Pout MAX Flatness (±dB)	Current @12 V MAX * (mA)	Case Code
AL26501	2-6	-50/10	7.0	+15/+20	1.0	500	SL-5
AL618801	6-18	-50/10	10.0	+15/+20	2.0	800	LH-44

Contact factory for application assistance on custom and standard amplifiers. Hi-Rel and Space-Rel screening are available.  
\* Built in voltage regulator.

# Standard, Military, and Hi-Rel Connectorized Amplifiers



## Low Noise Amplifiers

Model Number	Freq Range GHz	Linear Gain MIN (dB)	Gain Flatness MAX (±dB)	Noise Figure MAX/TYP (dB)	Pout-1dB MIN/TYP (dBm)	Current @12 V MAX * (mA)	Case Code
AN12201N	1.2-1.8	28/31	0.5	-/1.7	15/17	180	CL-1
AN23201N	2.2-2.9	28/31	0.5	-/1.7	15/17	180	CL-1
AN45201N	4.4-5.0	25/27	0.5	-/1.7	15/17	180	CL-1
AN78201N	7.2-7.8	23/25	0.5	-/1.8	14/16	150	CH-1
AN910201N	9.0-10.0	21/23	0.5	-/1.8	14/16	150	CH-1
AN1415301N	14.5-15.3	24/27	0.5	-/2.1	13/15	200	CH-3
AN1718401N	17.7-18.7	29/32	1.0	-/2.8	12/14	250	CH-3

## Medium Power Amplifiers

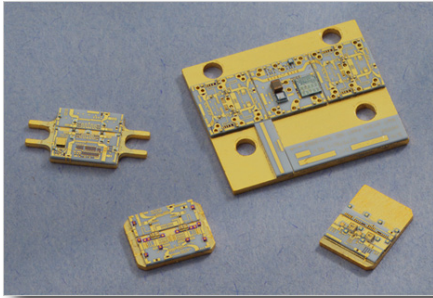
Model Number	Freq Range (GHz)	Linear Gain MIN (dB)	Gain Flatness MAX ±dB	VSWR MAX In/Out	Pout-1dB MIN/TYP (dBm)	Current @12 V MAX * (mA)	Case Code
AP45401	4.4-5.0	35.0	0.6	1.5/1.5	30.0/30.5	1400	CL-3
AP67402	5.9-6.4	33.0	0.6	1.5/1.5	33.0/33.5	2700	CL-3
AP78401	7.2-8.4	33.0	0.8	1.5/1.5	30.0/30.5	1450	CH-3
AP910401	9.0-10.0	32.0	0.8	1.5/1.5	30.0/30.5	1450	CH-3
AP1011401	10.7-11.7	27.0	0.8	1.5/1.5	30.0/30.5	1550	CH-3
AP1415401	14.0-14.5	23.0	0.5	1.5/1.5	29.0/30.0	1700	CH-3
AP1718501	17.7-18.7	24.0	1.0	1.8/1.8	26.0/27.0	1250	CH-5

## Telecom Power Amplifiers

Model Number	Freq Range (GHz)	Linear Gain MIN (dB)	Gain Flatness MAX (±dB)	IMD3 (dBc) @ Po (dBm/Tone)	Pout-1dB MIN/TYP (dBm)	Current @12 V MAX * (mA)	Case Code
AP1819701	18.1-18.6	30	0.5	-50@+15	27	2300	PH-01
AP1819801	18.1-18.6	35	0.5	-54@+15	29	2700	PH-01

Contact factory for application assistance on custom and standard amplifiers. Hi-Rel and Space-Rel screening are available.

\* Built in voltage regulator.



MwT Standard and Custom Hybrid Modules

## Standard Gain Block Modules

Model	Freq Range (GHz)	Linear Gain Typ/Min (dB)	Gain Flatness Typ/Max (±dB)	VSWR: 1 In & Out Typ/Max	Reverse Isolation Typ (dB)	Noise Figure Typ (dB)	Pout @ -1 dB Typ/Min (dBm)	IP3 Typ	Current @ +8 V Typ/Max (mA)	Case Code	Carrier Size (mil x mil)
MwT 0206-11P2	2.0-6.0	6.0 / 5.0	0.4 / 0.6	1.7 / 2.0	-18.0	7.0	30.0 / 29.5	41.0	850 / 950	S/Z-1	300 • 600
MwT 0206-1G1	2.0-6.0	16.0 / 15.0	0.6 / 0.6	1.8 / 2.0	-30.0	4.5	17.0 / 16.0	27.0	150 / 180	U/L-1	300 • 600
MwT 0206-1G2	2.0-6.0	18.0 / 17.0	0.5 / 0.6	1.8 / 2.0	-30.0	3.5	19.0 / 18.0	29.0	150 / 200	U/L-1	300 • 600
MwT 0206-2P2	2.0-6.0	10.5 / 10.0	0.4 / 0.6	1.5 / 1.8	-20.0	4.5	24.5 / 24.0	35.0	220 / 260	S/Z-1	300 • 600
MwT 0206-7G2	2.0-6.0	11.0 / 10.5	0.4 / 0.6	1.5 / 1.8	-20.0	3.0	15.0 / 14.0	25.0	60 / 80	S/Z-1	300 • 600
MwT 0206-9P2	2.0-6.0	11.0 / 10.0	0.4 / 0.6	1.7 / 2.0	-20.0	4.0	26.0 / 25.0	37.0	260 / 290	S/Z-1	300 • 600
MwT 0206-A9G1	2.0-6.0	17.0 / 16.0	0.5 / 0.6	1.8 / 2.0	-30.0	1.5	15.0 / 14.0	25.0	50 / 55	S/Z-1	300 • 600
MwT 0206-A9N2	2.0-6.0	15.0 / 12.5	2.0 / 2.5	1.7 / 2.0	-17.0	1.0	15.0 / 13.0	25.0	50 / 70	S/Z-1	300 • 600
MwT 0618-2P1	6.0-18.0	5.0 / 4.5	0.4 / 0.6	1.5 / 1.7	-20.0	7.0	24.8 / 24.0	35.0	200 / 250	S/Z-2	250 • 500
MwT 0618-2P2	6.0-18.0	5.5 / 5.0	0.3 / 0.5	1.5 / 1.7	-20.0	7.0	25.5 / 24.5	36.0	220 / 275	S/Z-2	250 • 500
MwT 0618-3P1	6.0-18.0	6.0 / 5.0	0.4 / 0.6	1.5 / 1.7	-20.0	6.5	20.5 / 20.0	30.0	100 / 120	S/Z-2	250 • 500
MwT 0618-3P2	6.0-18.0	6.5 / 6.0	0.3 / 0.5	1.5 / 1.7	-20.0	6.5	21.5 / 21.0	31.0	100 / 120	S/Z-2	250 • 500
MwT 0618-4N1	6.0-18.0	7.5 / 7.0	0.4 / 0.6	1.5 / 1.7	-20.0	4.5	14.0 / 12.0	25.0	40 / 60	S/Z-2	250 • 500
MwT 0618-4N2	6.0-18.0	8.0 / 7.5	0.4 / 0.6	1.5 / 1.7	-20.0	4.0	14.0 / 11.0	25.0	40 / 60	S/Z-2	250 • 500
MwT 0618-H4N2	6.0-18.0	9.0 / 8.5	0.4 / 0.6	1.5 / 1.7	-20.0	3.0	10.0 / 7.0	20.0	40 / 60	S/Z-2	250 • 500
MwT 0618-5G1	6.0-18.0	10.0 / 9.5	0.4 / 0.6	1.5 / 1.7	-30.0	5.5	16.0 / 14.0	26.0	90 / 100	S/Z-2	250 • 500
MwT 0618-5G2	6.0-18.0	10.5 / 10.0	0.4 / 0.6	1.5 / 1.7	-30.0	5.0	18.0 / 15.5	28.0	100 / 120	S/Z-2	250 • 500
MwT 0618-7G2	6.0-18.0	7.5 / 7.0	0.4 / 0.6	1.5 / 1.7	-20.0	5.0	15.0 / 14.0	25.0	60 / 80	S/Z-2	250 • 500
MwT 0618-12P2	6.0-18.0	4.6 / 4.2	0.4 / 0.6	1.5 / 1.7	-20.0	7.5	27.5 / 27.0	38.0	350 / 450	S/Z-2	250 • 500
MwT 0618-H15P2	6.0-18.0	8.5 / 7.5	0.4 / 0.6	1.5 / 1.7	-20.0	7.5	27.0 / 26.0	34.0	250 / 275	S/Z-2	250 • 500
MwT 0618-H15P3	6.0-18.0	7.5 / 6.5	0.4 / 0.6	1.5 / 1.7	-20.0	7.5	29.0 / 28.0	36.0	250 / 300	S/Z-2	250 • 500
MwT 0618-H16P3	6.0-18.0	5.0 / 6.0	0.8 / 1.2	1.7 / 2.0	-17.0	8.0	30.0 / 29.0	38.0	450 / 550	S/Z-2	250 • 500
MwT 0618-H5G2	6.0-18.0	15.0 / 14.0	0.5 / 1.0	1.7 / 2.0	-17.0	3.0	20.0 / 17.0	29.0	80 / 120	S/Z-2	250 • 500
MwT 0618-H7P2	6.0-18.0	9.0 / 9.5	0.5 / 1.0	1.7 / 2.0	-17.0	5.5	21.0 / 24.0	33.0	110 / 150	S/Z-2	250 • 500
MwT 0820-3P1	8.0-20.0	5.0 / 4.5	0.4 / 0.6	1.5 / 1.7	-20.0	7.5	19.0 / 18.0	29.0	100 / 120	S/Z-2	250 • 500
MwT 0820-3P2	8.0-20.0	5.5 / 5.0	0.4 / 0.6	1.5 / 1.7	-20.0	7.0	20.0 / 19.0	29.0	100 / 120	S/Z-2	250 • 500
MwT 0820-4N1	8.0-20.0	6.0 / 5.5	0.4 / 0.6	1.5 / 1.7	-20.0	8.0	14.0 / 12.0	25.0	40 / 60	S/Z-2	250 • 500
MwT 0820-4N2	8.0-20.0	6.5 / 6.0	0.4 / 0.6	1.5 / 1.7	-20.0	4.0	14.0 / 11.0	25.0	40 / 60	S/Z-2	250 • 500
MwT 0820-5G1	8.0-20.0	9.0 / 8.0	0.4 / 0.6	1.5 / 1.7	-28.0	4.0	16.0 / 14.0	26.0	90 / 110	S/Z-2	250 • 500
MwT 0218-4N1	2.0-18.0	6.0 / 5.0	0.8	1.7 / 2.0	-20.0	7.0	15.0 / 14.0	25.0	100 / 120	S/Z-2	250 • 500
MwT 0218-4N2	2.0-18.0	6.5 / 6.0	1.2	1.7 / 2.0	-20.0	8.5	17.0 / 16.0	26.0	160 / 180	S/Z-2	250 • 500
MwT 0218-H4N1	2.0-18.0	12.0 / 11.0	0.8	1.7 / 2.0	-20.0	4.0	6.0 / 5.0	15.0	40 / 50	S/Z-2	250 • 500
MwT 0218-H4N2	2.0-18.0	11.0 / 10.0	0.8	1.7 / 2.0	-20.0	4.0	12.0 / 11.0	24.0	60 / 75	S/Z-2	250 • 500

Note: Typical 2nd Harmonics @ P-1 -21.0 dBc Typ

## Voltage Regulator Modules

Model	Freq Range (GHz)	Insertion Loss Typ/Max (dB)	Ripple Rej @ 120 Hz Min (dB)	Pw Diss Per VR Max (Watts)	Regulated Voltage Min/Max (V)	Supply Voltage Typ/Min (V)	Total Current Max (mA)	Case Code	Carrier Size (mil x mil)
MwT 0206-VRM	2.0-6.0	- / 0.5	50.0	1.5	7.9 / 8.1	12.0 / 20.0	800	U/L-1	300 • 600
MwT 0618-VRM	6.0-18.0	- / 1.0	50.0	1.5	7.9 / 8.1	12.0 / 20.0	800	U/L-2	250 • 500

MwT Standard Voltage Regulator Modules (Each Module Contains Dual Adjustable Voltage Regulators)

## Temperature Compensation Modules

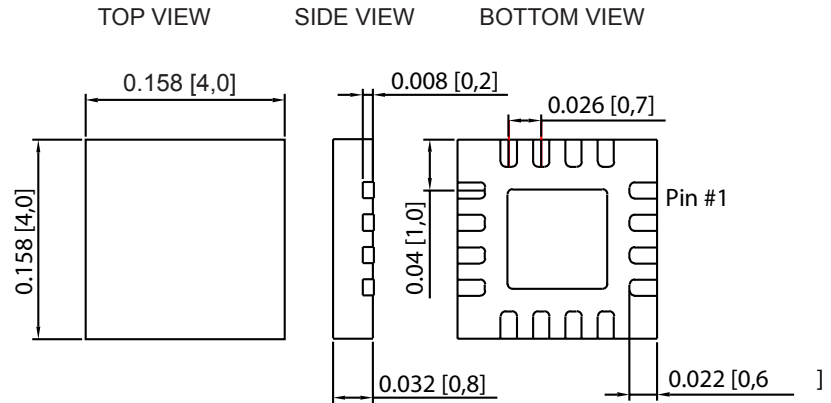
Model	Freq Range (GHz)	Insertion Loss Typ/Max (dB)	Loss Flatness ±Max (dB)	Attend. Typ/Min (dB)	Current @ +8 V Max (mA)	Case Code	Carrier Size (mil x mil)
MwT 0206-TCM	2.0-6.0	1.0 / 2.5	0.4 / 0.6	13.0 / 12.0	10 / 20	S/Z-1	300 • 600
MwT 0618-TCM	6.0-18.0	2.5 / 3.0	0.4 / 0.6	13.0 / 12.0	10 / 20	S/Z-2	250 • 500

MwT Standard Temperature Compensation Modules

(Dimensions in mm)

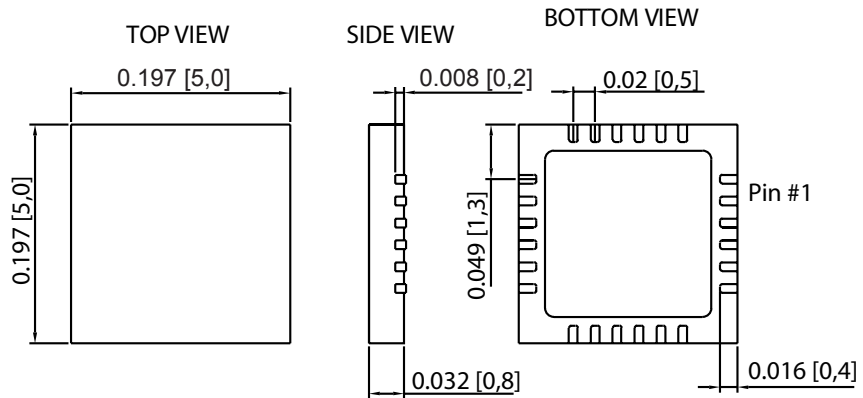
## Package Q4/L4

**Notes:**  
 Units: in/mm  
 Ground Pad is 2.0 x 2.0 mm  
 Surface Finish: SN Plate  
 Tolerances are  $\pm 0.005$

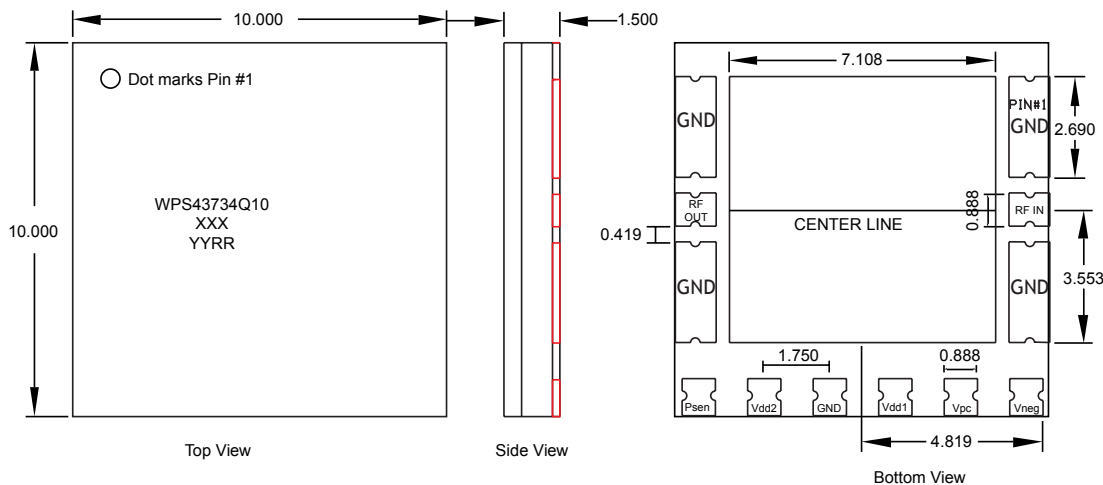


## Package Q5

**Notes:**  
 Units: in/mm  
 Ground Pad is 3.65 x 3.65 mm



## Package Q10

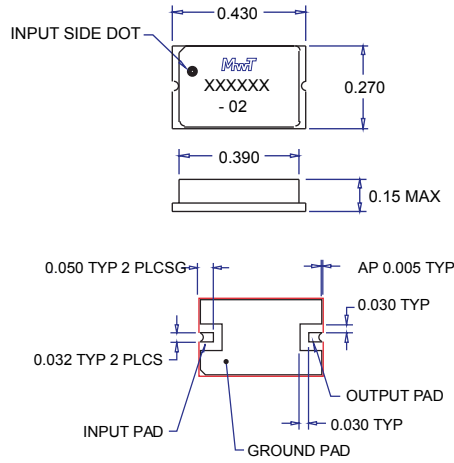


Pin Assignment	
Pin #	Name
1	GND
2	RF In
3	GND
4	Vneg
5	Vpc
6	Vdd1
7	GND
8	Vdd2
9	Psen
10	GND
11	RF Out
12	GND

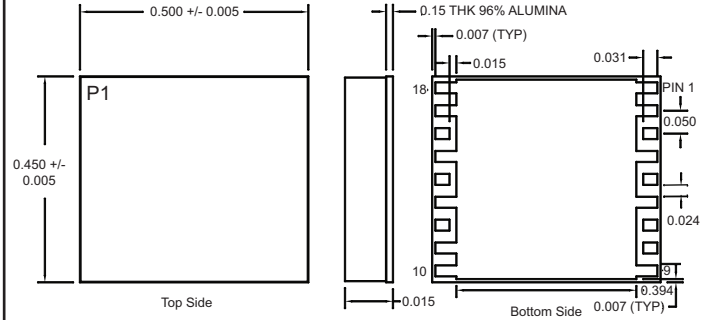
Dimensions are in mm  
 Tolerance is +/- 0.2 mm

(Dimensions in mm and inches – 1mm = 0.0394”)

Package 02



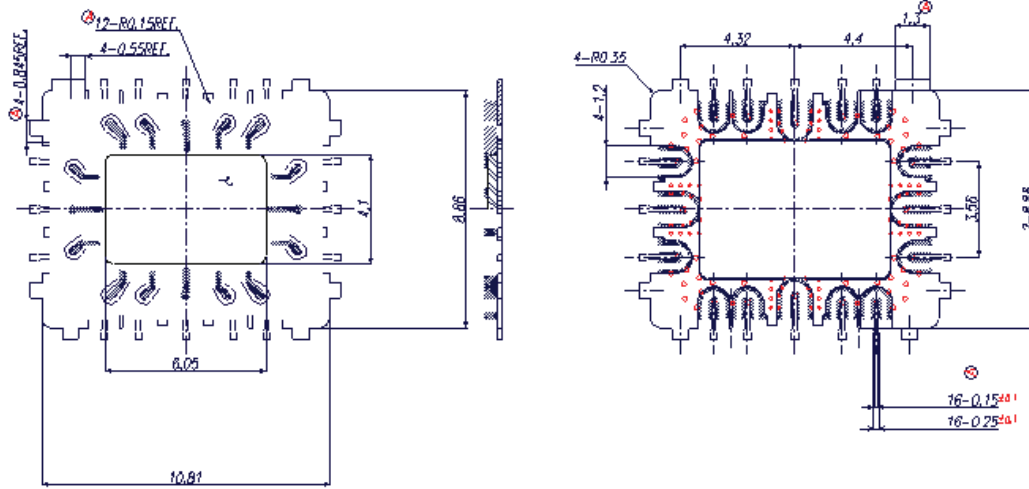
Package 05



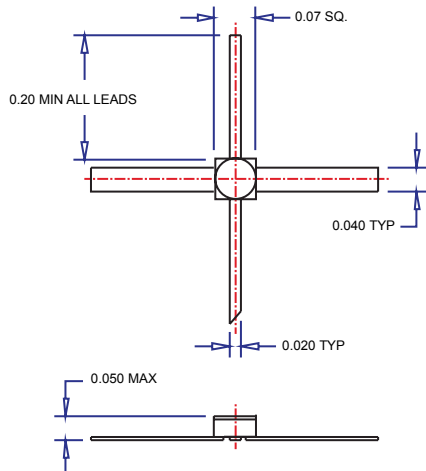
**Notes:**

1. Plated with 0.002” of Cu and 150m” of Ni.
2. Backside Gold Finish 4-10u” Au

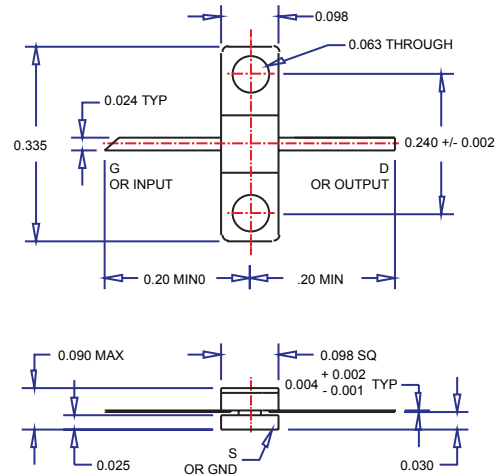
Package 10



Package 70



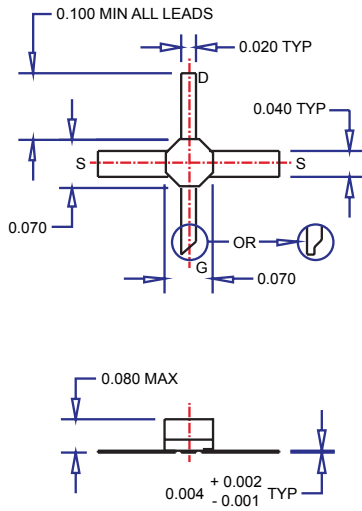
Package 71



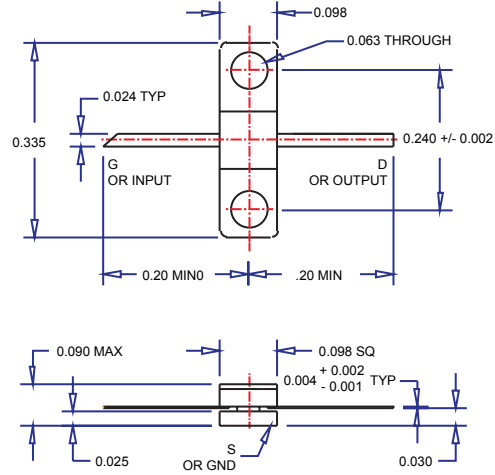
# Outline Drawings

(Dimensions in mm and inches – 1mm = 0.0394”)

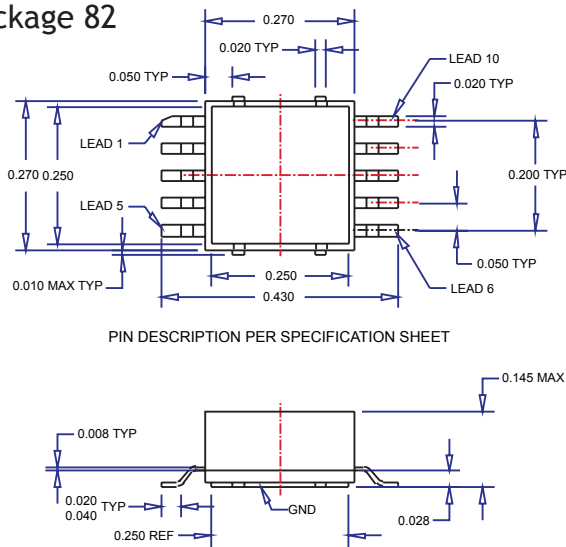
**Package 73**



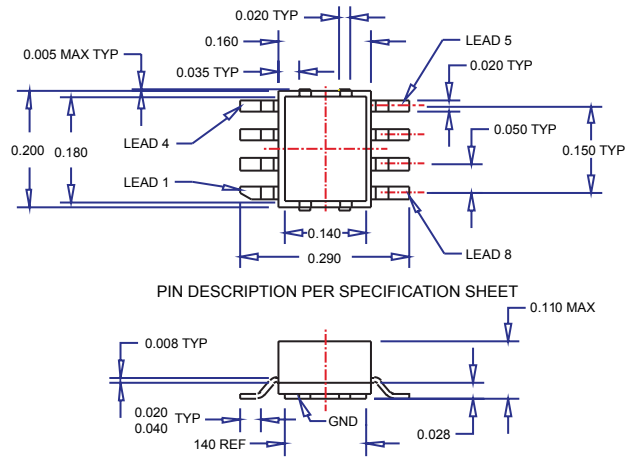
**Package 81**



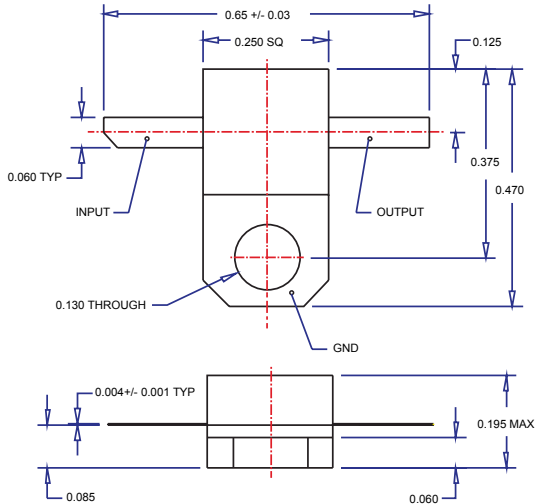
**Package 82**



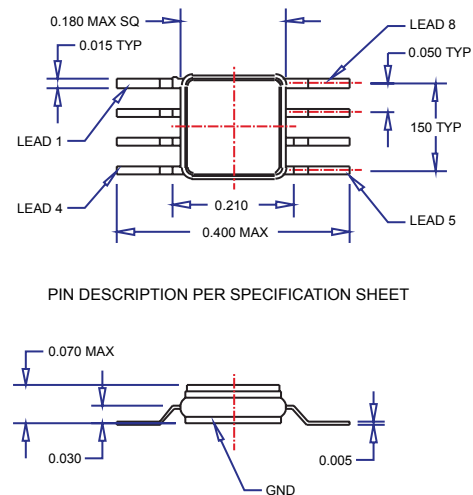
**Package 84**



**Package 85**



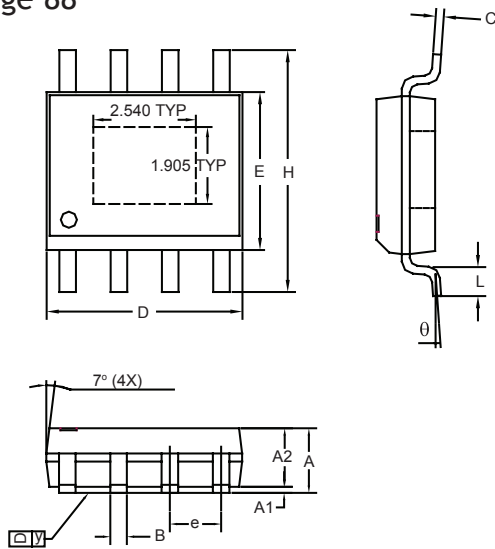
**Package 87**





(Dimensions in mm and inches – 1mm = 0.0394”)

Package 88

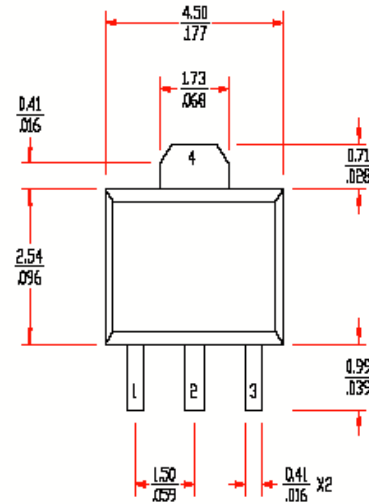


**Notes:**

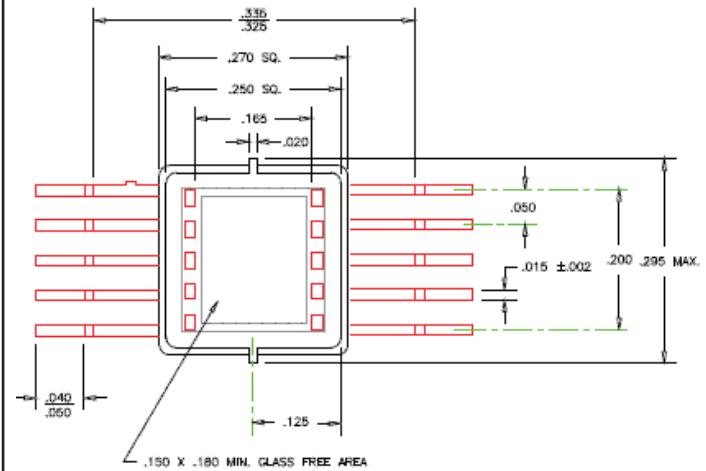
1. Package body sizes exclude mold flash and gate burrs
2. Dimension L is measures in gage plane
3. Tolerance 0.10mm unless otherwise specified
4. Controlling dimension is millimeter.  
Converted inch dimensions are not necessarily exact
5. Followed from Jedec MS-012
6. Thermal slug dimension: 75mils x 100mils

SYMBOLS	DIMENSIONS IN MILLIMETERS			DIMENSIONS IN INCHES		
	MIN	NOM	MAX	MIN	NOM	MAX
A	1.45	1.50	1.55	0.057	0.059	0.061
A1	0.00	---	0.15	0.000	---	0.006
A2	---	1.45	---	---	0.057	---
B	0.33	---	0.51	0.013	---	0.020
C	0.19	---	0.25	0.007	---	0.010
D	4.80	---	5.00	0.189	---	0.197
E	3.80	---	4.00	0.150	---	0.157
e	---	1.27	---	---	0.050	---
H	5.80	---	6.20	0.228	---	0.244
L	0.40	---	1.27	0.016	---	0.050
y	---	---	0.10	---	---	0.004
θ	0°	---	8°	0°	---	8°

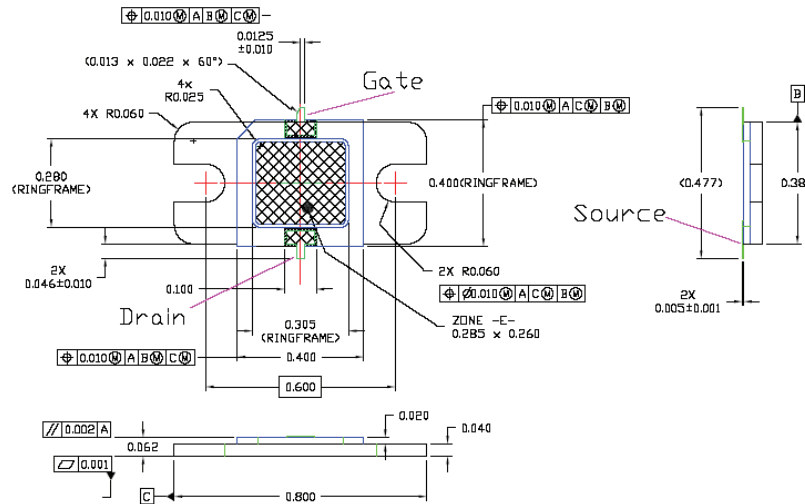
Package 89  
(SOT-89)



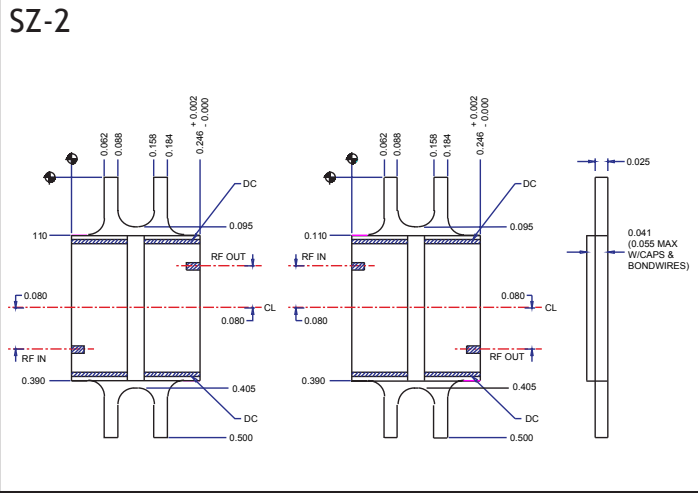
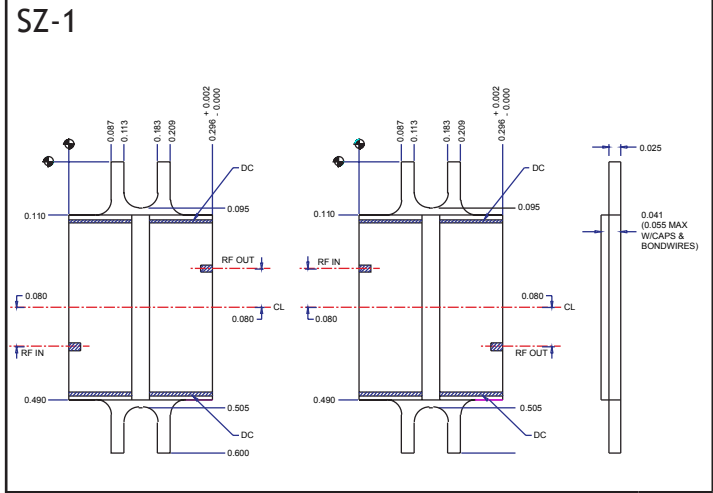
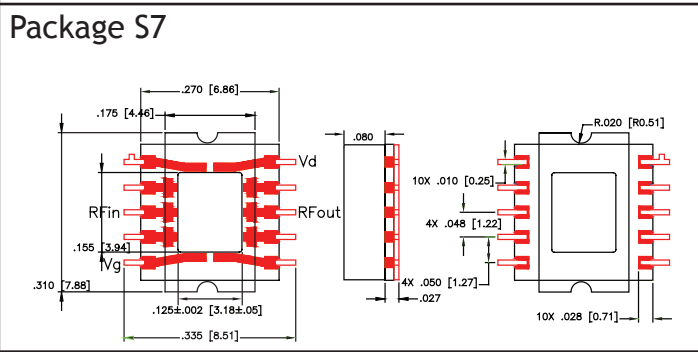
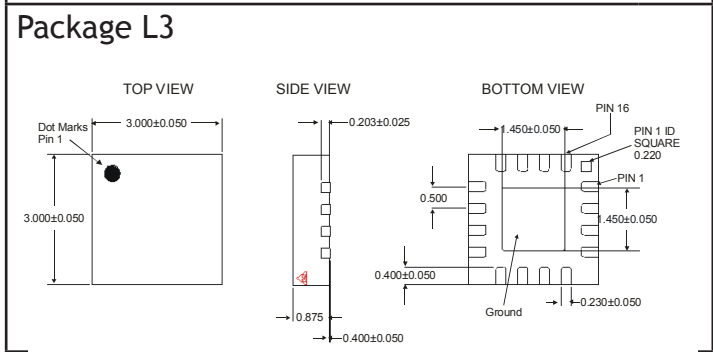
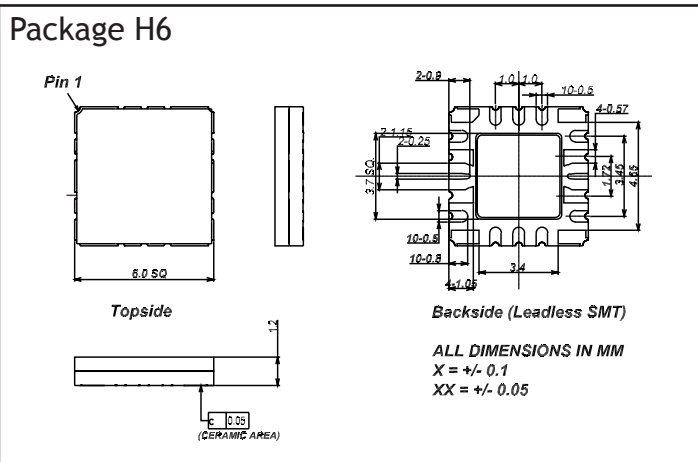
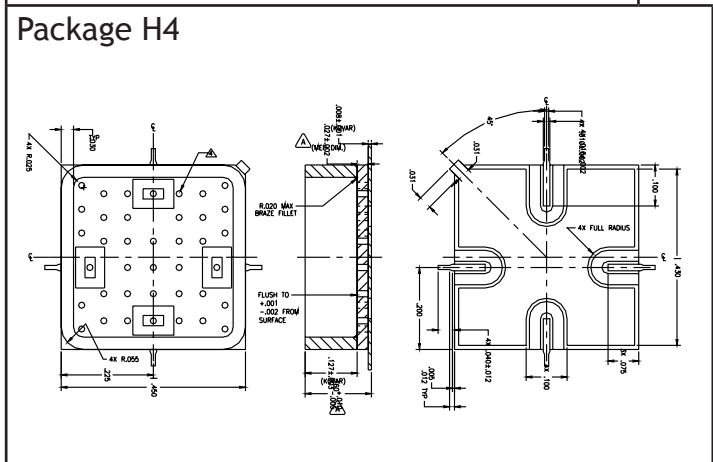
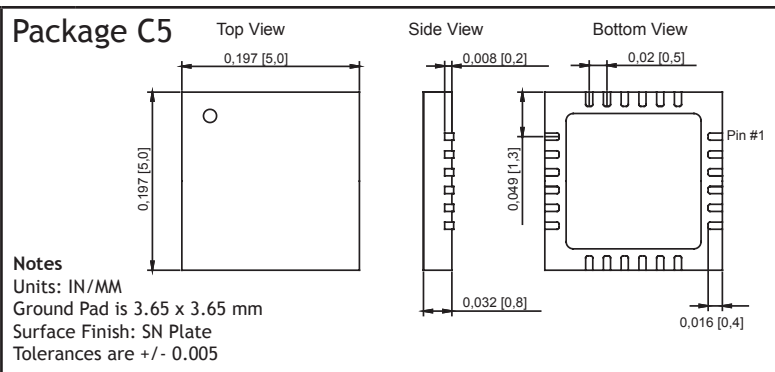
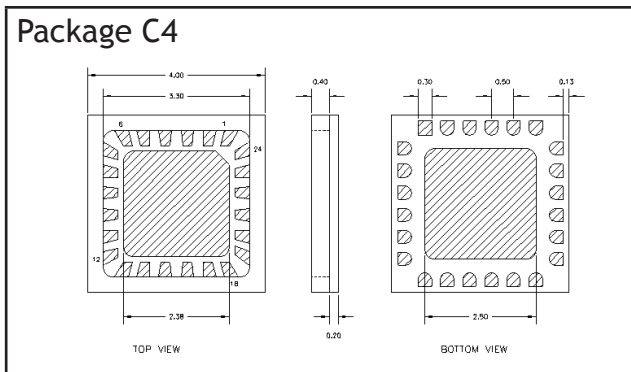
Package 96



Package 99



(Dimensions in mm and inches – 1mm = 0.0394”)

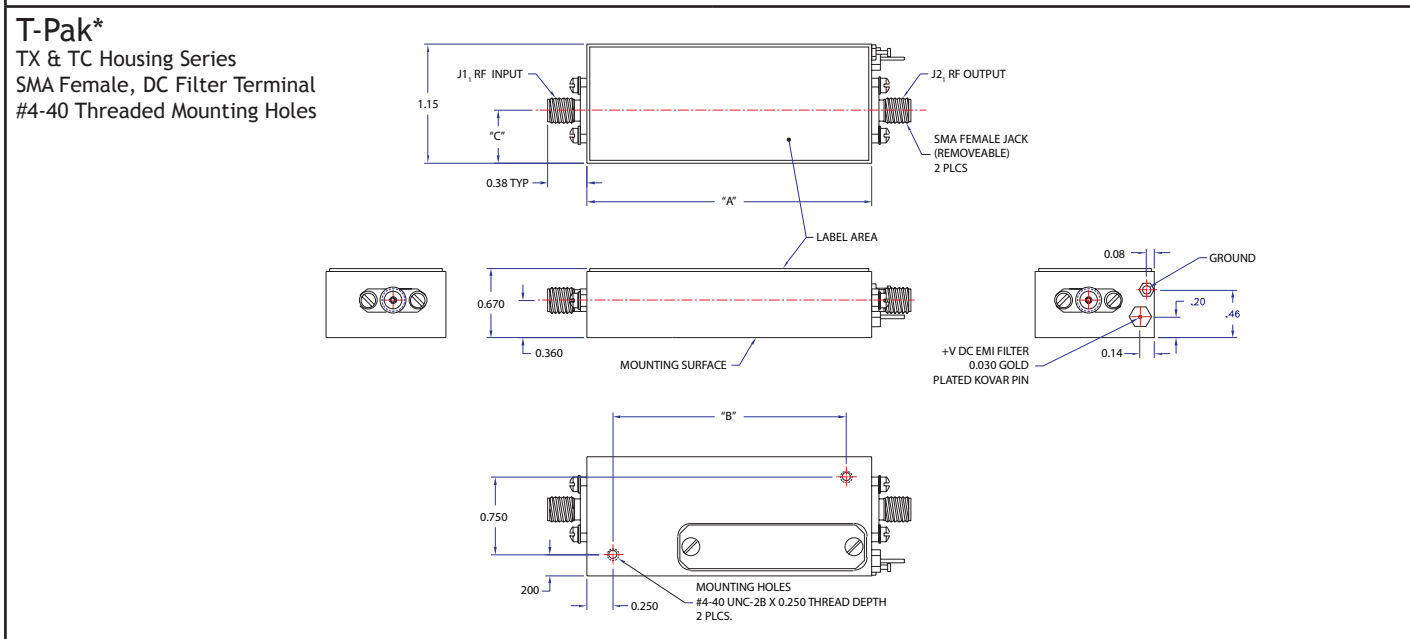
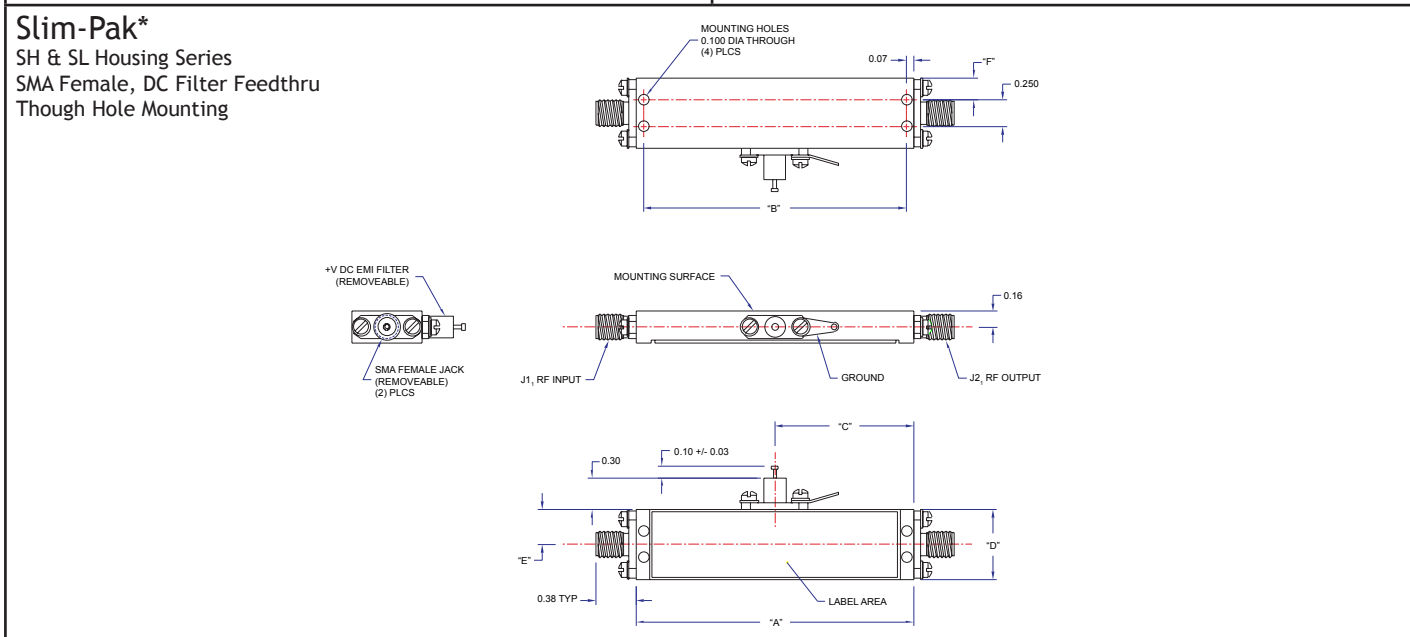
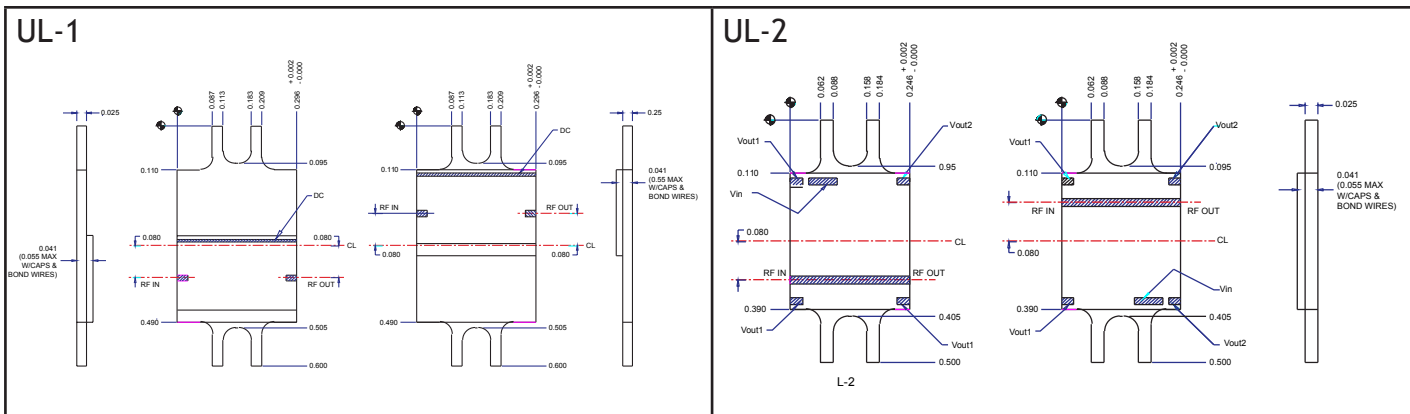


# Outline Drawings



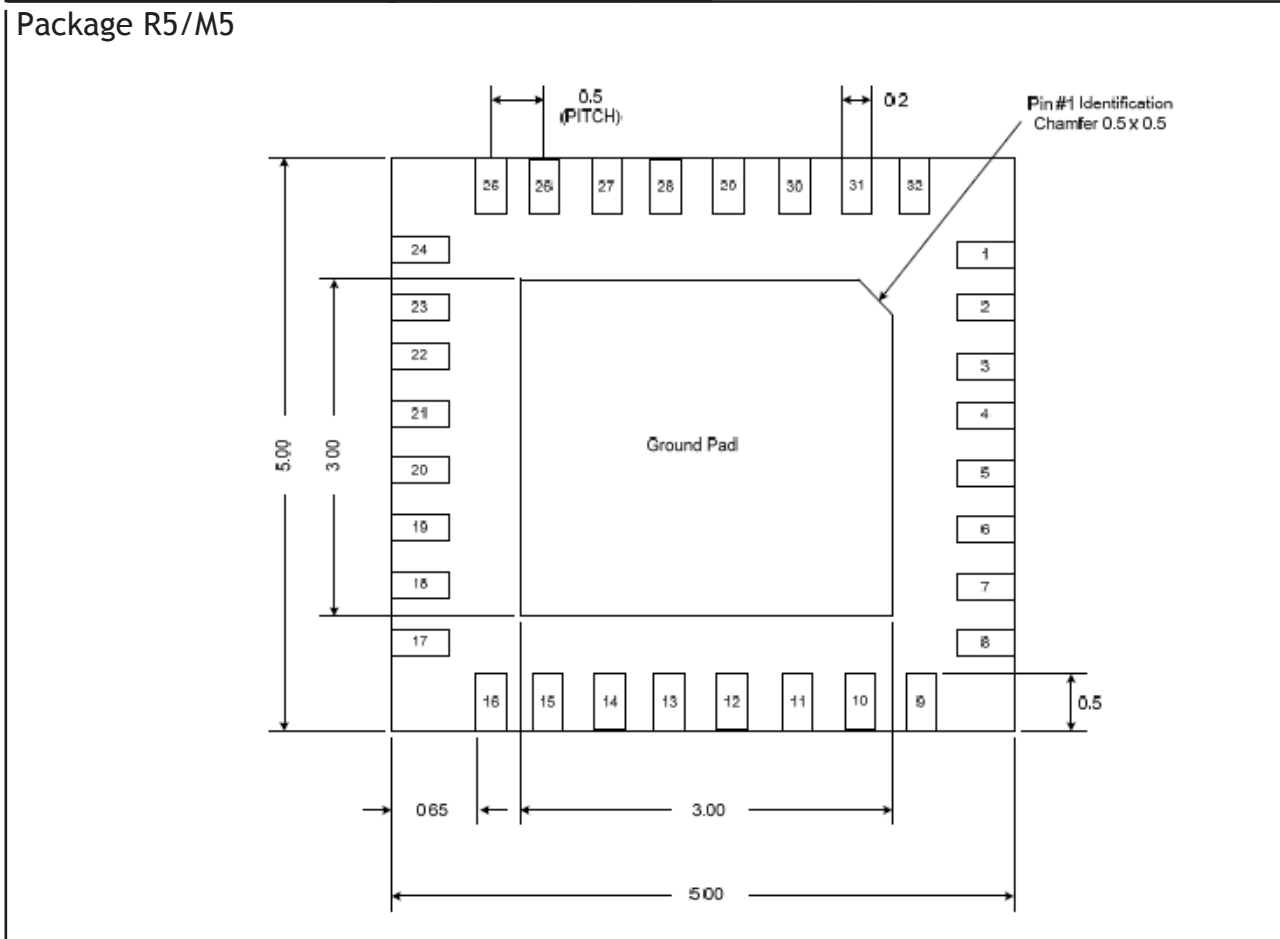
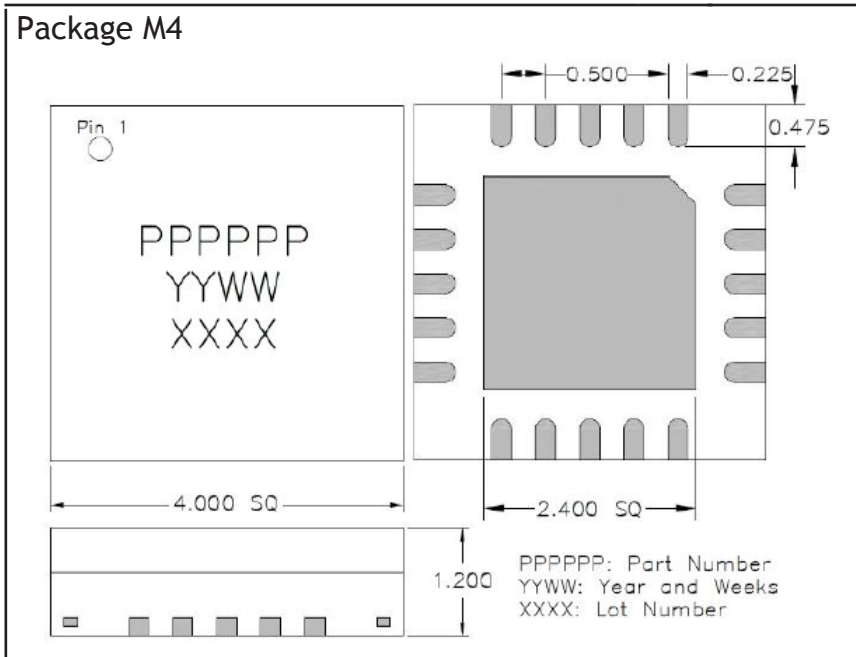
(Dimensions in mm and inches – 1mm = 0.0394")

Outline Drawings

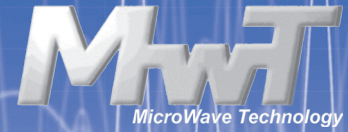


\* Consult Factory for Package Options and Outline Drawings

(Dimensions in mm and inches – 1mm = 0.0394”)



# Contact Information



## MicroWave Technology Inc.

4268 Solar Way

Fremont, CA 94538

Phone: (510) 651-6700

Fax: (510) 952-4000

Website: [www.mwtinc.com](http://www.mwtinc.com)

[sales@mwtinc.com](mailto:sales@mwtinc.com)

An IXYS Subsidiary



MwT Headquarters in Fremont, California, USA