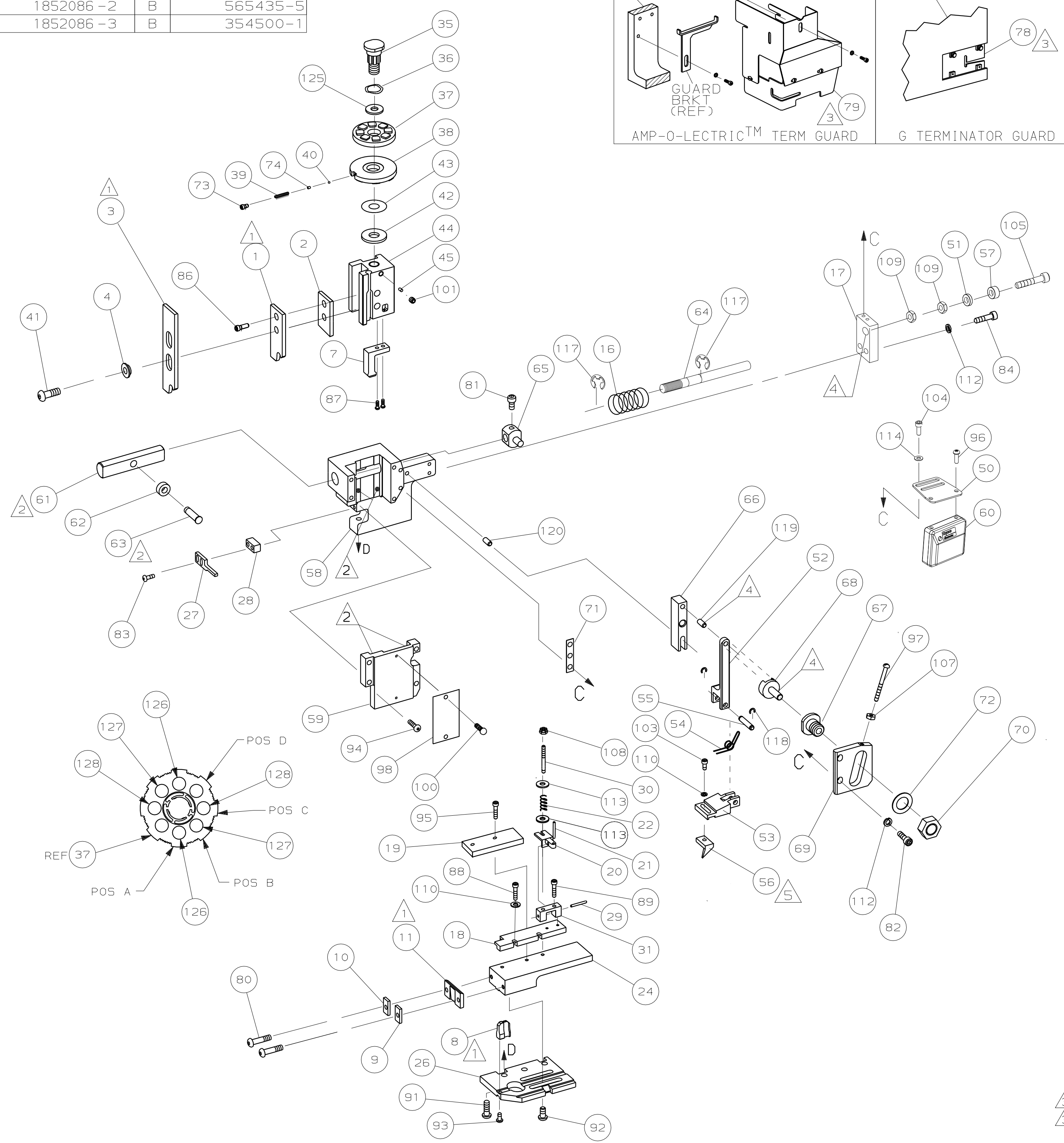
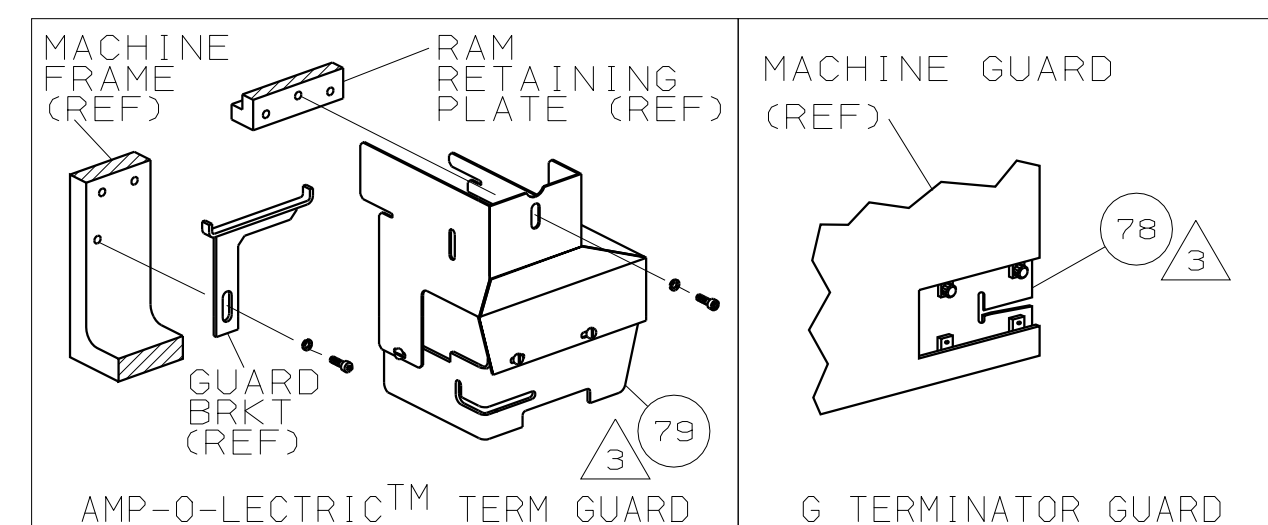


PART NUMBER	REV	FIRST USED
1852086-1	B	122500-1
1852086-2	B	565435-5
1852086-3	B	354500-1



TERMINAL NAME: RECEPTACLE, FASTON™ FLAG, .187 SERIES			
1572746 CRIMPING DATA			
PAD LTR	CRIMP HEIGHT	WIRE SIZE	
A	.064±.002 [1.60 ±0.05mm]	16	
B	.058±.002 [1.47 ±0.05mm]	18	
C	.054±.002 [1.37 ±0.05mm]	20	
D	NOT	USED	
CRIMP	SIZE	TYPE	RANGE
WIRE	.090 [2.29mm]	F	20-16
INSUL	.130 [3.30mm]	C	∅.090-.130

QTY	RECD	PER	ASSY	U/M	DWG SIZE	PART NO	DESCRIPTION	ITEM NO
2	2	2	-	C		2-354779-0	PIN, WIRE DISC (.3090) C	129
2	2	2	-	C		1-354779-1	PIN, WIRE DISC (.3045) B	127
2	2	2	-	C		9-354778-7	PIN, WIRE DISC (.2980) A	126
1	1	1	-	A		986950-1	WASHER, FLAT PRECISION	125
1	1	1	-	A		217238-1	GENERAL INSTRUCTION PACKAGE	124
1	1	1	-	-		4088039	EF APPL INST 408-8039	123
								122
								121
1	1	1	-	A		1-21030-7	PIN, DOWEL (∅.187x1.50) HSG	120
1	1	1	-	A		1-21030-1	PIN, DOWEL (∅.187x.50) LEVER	119
2	2	2	-	A		21045-3	RING, RET "C" (∅.187) FD PIN	118
2	2	2	-	A		1-21046-6	RING, RETAINING, EXT (5/16) FD ADJ ROD	117
								116
								115
2	2	2	-	A		18028-2	WASHER, FLAT (M4) COUNTER	114
2	2	2	-	A		21899-2	WASHER, FLAT (#10)	113
4	4	4	-	A		21024-5	WASHER, LOCK (NO.10) FD ROD GDE	112
								111
3	3	3	-	A		21024-4	WASHER, LOCK (NO.8) ST GDE	110
2	2	2	-	A		22593-1	NUT, HEX (1/4-20) MAGNET	109
1	1	1	-	A		21022-3	NUT, HEX SL (10-32) DRAG STUD	108
1	1	1	-	A		21018-5	NUT, HEX (6-32) FD ADJ PL	107
								106
1	1	1	-	A		3-21081-3	SCR, SHC (1/4-20x1.25) MAGNET	105
2	2	2	-	A		9-21000-9	SCR, SHC (8-32x.44) COUNTER	104
1	1	1	-	A		2-22603-1	SCR, HEX HD (8-32x.38) FEED FINGER	103
1	1	1	-	A		3-21000-9	SCR, SHC (10-32x1.00) CAM	102
1	1	1	-	A		21009-2	SCR, SKT SET (1/4-20x.25) RAM	101
2	2	2	-	A		21017-2	SCR, DRIVE (#2x.19) ID PLATE	100
1	1	1	-	A		1-21002-7	SCR, BHC (6-32x.38) CAM	99
1	1	1	-	B		461264-1	PLATE, IDENTIFICATION	98
1	1	1	-	A		6-23715-5	SCR, PAN HD (6-32x1.50) FEED ADJ	97
2	2	2	-	A		994991-5	SCR, OVAL HD (M4X12) COUNTER	96
2	2	2	-	A		2-21002-1	SCR, BHC (8-32x.38) REAR ST GD	95
4	4	4	-	A		2-21002-9	SCR, BHC (10-32x.75) HSG CAP	94
1	1	1	-	A		22733-8	SCR, BHC (8-32x.38) ANVIL	93
4	4	4	-	A		3-21002-3	SCR, BHC (1/4-20x.50) ST GD PL	92
3	3	3	-	A		2-22733-8	SCR, BHC (1/4-20x.62) BASE PL	91
								90
2	2	2	-	A		2-21000-8	SCR, SHC (8-32x.62) DRAG MOUNT	89
2	2	2	-	A		2-21000-9	SCR, SHC (8-32x.75) STRIP GUIDE	88
2	2	2	-	A		1-21002-8	SCR, BSHC (6-32x.50) SLUG BLADE	87
1	1	1	-	A		2-21000-6	SCR, SHC (8-32x.38) CRIMPER	86
								85
2	2	2	-	A		3-21000-7	SCR, SHC (10-32x.75) FEED ROD GDE	84
2	2	2	-	A		2-21002-2	SCR, BHC (10-32x.50) STRIPPER	83
2	2	2	-	A		3-21000-6	SCR, SHC (10-32x.62) FEED ADJ PL	82
1	1	1	-	A		3-21000-4	SCR, SHC (10-32x.38) PIVOT BLOCK	81
2	2	2	-	A		3-21000-9	SCR, BHC (10-32x1.00) SHEAR PL	80
-	REF	-	-	A		455745-1	GUARD, WINDOW	79
REF	-	-	-	A		679532-1	INSERT, GUARD	78
								77
								76
								75
1	1	1	-	A		690603-1	SPRING, ASSIST	74
1	1	1	-	A		23030-1	SCR, SKT CAP (6-32x.25) CP DSC	73
1	1	1	-	A		458109-1	WASHER, FLAT (SPECIAL)	72
1	1	1	-	A		690517-1	SPACER	71
								70
								69
								68
								67
								66
								65
								64
								63
								62
								61
								60
								59
								58
								57
								56
								55
								54
								53
								52
								51
								50
								49
								48
								47
								46
								45
								44
								43
								42
								41
								40
								39
								38
								37
								36
								35
								34
								33
								32
								31
								30
								29
								28
								27
								26
								25
								24
								23
								22
								21
								20
								19
								18
								17
								16
								15
								14
								13
								12
								11
								10
								9
								8
								7
								6
								5
								4
								3
								2
								1

QTY	RECD	PER	ASSY	U/M	DWG SIZE	PART NO	DESCRIPTION	ITEM NO
-1							LEADMAKER & MECH POST FEED	
-2							BENCH MODEL K MECH PRE FEED	
-3							BENCH MODEL G MECH PRE FEED	
1	1	1	-	A		22594-8	NUT, HEX	70
1	1	1	-	B		240628-1	PLATE, ADJ	69
1	1	1	-	B		240626-1	SHAFT, PIVOT	68
1	1	1	-	B		240633-1	BUSHING	67
1	1	1	-	A		455680-1	LEVER, INTERMEDIATE	66
1	1	1	-	B		240629-1	BLOCK, PIVOT	65
1	1	1	-	A		1804311-1	SCR, ADJ	64
1	1	1	-	B		240659-3	PIN, CAM ROLLER	63
1	1	1	-	B		240658-1	CAM, ROLLER	62
1	1	1	-	B		454398-1	ROD, FEED	61
1	1	1	-	A		1804300-1	APPLICATOR COUNTER ASSEMBLY	60
1	1	1	-	C		454220-9	CAP, RAM	59
1	1	1	-	D		453736-5	HOUSING	58
1	1	1	-	A3		1804299-1	SPACER, MAGNET	57
1	1	1	-	B		224716-1	PAWL, FEED	56
1	1	1	-	B		240624-1	PIN, FEED FINGER	55
1	1	1	-	B		691499-1	SPRING, FEED FINGER	54
1	1	1	-	B		690541-1	HOLDER, FEED FINGER	53
1	1	1	-	B		455679-2	LEVER, TERMINAL	52
1	1	1	-	A		1804310-1	MAGNET, RING	51
1	1	1	-	A		1804303-1	BRACKET, COUNTER MOUNTING	50
1	-	-	-	B		453991-1	CAM, PRE-FEED 1 5/8 ST	49
-	1	-	-	B		690696-1	CAM, PRE-FEED 1 1/8 ST	48
-	-	1	-	B		238015-1	CAM, POST-FEED 1 5/8 ST	47
								46
								45
1	1	1	-	A		690191-1	PLUG, NYLON	45
1	1	1	-	C		691533-2	RAM	44
1	1	1	-	A		690125-1	WASHER, LAMINATED	43
1	1	1	-	A		690124-1	WASHER, RAM	42
1	1	1	-	A		3-21002-6	BOLT, CRIMPER (1/4-20x.88)	41
1	1	1	-	A		23241-6	BALL, STEEL	40
1	1	1	-	A		690170-1	SPRING, COMPRESSION	39
1	1	1	-	C		1-690142-2	DISC, INSULATION	38
1	1	1	-	D		354777-1	WIRE DISC, PLASTIC	37
1	1	1	-	A		22480-5	WASHER, SPRING	36
1	1	1	-	B		690212-1	POST, RAM	35
								34
								33
								32
1	1	1	-	C		454569-1	MOUNT, DRAG	31
1	1	1	-	A		1-22354-8	DRAG, STUD	30
1	1	1	-	A		21030-2	PIN, MOUNT, DRAG	29
1	1	1	-	B		1-690451-2	SPACER, STRIPPER	28
1	1	1	-	A		468281-1	STRIPPER	27
1	1	1	-	C		455676-6	PLATE, BASE	26
								25
1	1	1	-	B		1901108-1	PLATE, STRIP GUIDE	24
								23
1	1	1	-	A		3-22282-1	SPRING, DRAG	22
1	1	1	-	A		21030-6	LEVER, DRAG	21
1	1	1	-	A		454570-1	DRAG, STOCK	20
1	1	1	-	B		1901107-1	GUIDE, STRIP (REAR)	19
1	1	1	-	C		1901110-1	GUIDE, STRIP (FRONT)	18
1	1	1	-	A		1804305-2	GUIDE, FEED ROD	17
1	1	1	-	A		4-22284-9	SPRING, FEED RETURN	16
								15
								14
								13
								12